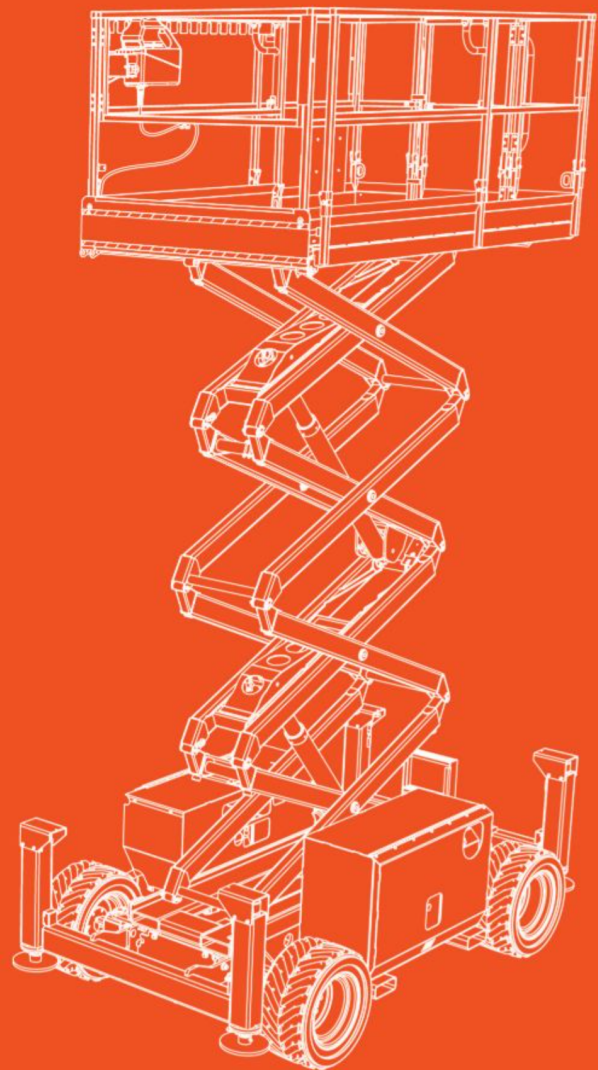




PARTS MANUAL

SJ6826 RT, SJ6832 RT

ROUGH TERRAIN SCISSORS



194370AD

February 2019
ANSI/CSA and KC

This manual is based on Serial Number(s):

SJ6826 RT: 37 006 157 to 37 299 999

SJ6832 RT: 37 006 157 to 37 299 999

Please refer to the website (www.skyjack.com) for other Serial Numbers, most recent Technical Manuals and USB software.

Skyjack Service Center

3451 Swenson Ave. St. Charles,
Illinois, 60174 USA
Phone: 630-262-0005
Toll Free: 1-800-275-9522
Fax: 630-262-0006
Email: service@skyjack.com

Parts (North America)

Toll Free: 1-800-965-4626
Toll Free Fax: 1-888-782-4825
E-mail: parts@skyjack.com

Skyjack Australia Pty Ltd.

Unit 1, 35 Honeycomb Drive
Eastern Creek
New South Wales 2766
Australia
Tel: +61 (0) 2 9854 0700
Fax: +61 (0) 2 9854 0777

Parts & Service (Europe)

Unit 1 Maes Y Clawdd
Maesbury Road Industrial Estate
Oswestry, Shropshire SY10 8NN UK
Phone: +44-1691-676-235
Fax: +44-1691-676-238
E-mail: info@skyjackeurope.co.uk

Skyjack Brasil

Alameda Júpter, 710
Loteamento American Park Empresarial
Indaiatuba, SP, Brasil 13347-653
Tel: +55 19 3936 0132

Table of Contents

Foreword	7
General.....	7
Parts Ordering Information.....	7
Method of Listing.....	7
Quantities.....	7
How To Order Repair Parts.....	7
Section 1 – Platform	9
1.1 Gate.....	10
1.2 Platform Railing.....	12
1.3 Extension Deck Railing.....	14
1.4 Main and Extension Platforms.....	16
1.5 Gate Latch.....	18
1.6 Quick Release Pins.....	19
1.7 Platform AC Outlet.....	20
1.8 Control Box with Rotary Switches.....	22
1.9 Control Box with Toggle Switches.....	24
1.10 Drive/Steer Controller.....	26
Section 2 – Scissors	29
2.1 Scissors - SJ6826 RT.....	30
2.2 Scissors - SJ6832 RT.....	32
2.3 Scissor Mounting Hardware.....	34
2.4 Scissor Connecting Hardware.....	36
2.5 Scissor Arm Control Cable.....	38
2.6 Limit Switch.....	39
2.7 Lift Cylinder and Mounting Hardware.....	40
2.8 Holding Valve.....	42
2.9 Light and Beeper.....	44
Section 3 – Base Related Parts	47
3.1 Base.....	48
3.2 Tires.....	52
3.3 Propane Tray - ANSI/CSA.....	54
3.4 Steer Cylinder.....	56
3.5 Tie Rod.....	58
3.6 Splitter Manifold.....	59
3.7 Hydraulic Hose Connections - Splitter Manifold.....	60

3.8	Wheel Motor - Front	62
3.9	Wheel Motor - Rear	63
3.10	Hydraulic Hose Connections - Main Manifold	64
3.11	Hydraulic Cabinet - S/N 37 009 781 & above	66
3.12	Hydraulic Cabinet - S/N 37 009 780 & below	68
3.13	Hydraulic Tank	70
3.14	Fuel Tank	71
3.15	Main Manifold	72
3.16	Hydraulic Cabinet Door	77
3.17	Engine Cabinet	78
3.18	Electrical Panel - S/N 37 000 235 & above	80
3.19	Electrical Panel - S/N 37 000 234 & below	82
3.20	Engine to Tray Assembly - Kubota D972	84
3.21	Engine to Tray Assembly - Kubota D902	86
3.22	Engine Tray	88
3.23	Engine Cabinet Door	89
3.24	Engine and Main Manifold Harnesses	90
3.25	Electrical Panel Harnesses	92

Section 4 – Engine Related Parts 95

4.1	Engine - Kubota DF972	96
4.2	Air Cleaner - Kubota DF972	100
4.3	Exhaust - Kubota DF972	101
4.4	Engine - Kubota WG752	102
4.5	Air Cleaner - Kubota WG752	106
4.6	Exhaust - Kubota WG752	107
4.7	Engine - Kubota D902	108
4.8	Air Cleaner - Kubota D902	112
4.9	Exhaust - Kubota D902	113
4.10	Fuel Line Connections - Kubota DF972 & WG752	114
4.11	Fuel Line Connections - Kubota D902	116
4.12	Hydraulic Pump	117
4.13	Radiator - DF972	118
4.14	Radiator - WG752	120

Section 5 – Optional Equipment 123

5.1	Outrigger/Generator Control Box	124
5.2	Electrical Harness Connections - Outriggers	126
5.3	Front and Rear Outriggers	130
5.4	Outrigger Assembly	132
5.5	Outrigger Cylinder	134
5.6	Hydraulic Hose Connections - Outriggers	135
5.7	Outrigger Manifold	136

5.8	800 W Inverter	138
5.9	Hydraulic Generator - Harrison.	140
5.10	Hose Connections - Harrison Hydraulic Generator.	142
5.11	Hydraulic Generator - Fabco & Control Fluid.	144
5.12	Hose Connections - Fabco & Control Fluid Generators	146
5.13	Hydraulic Generator Relay	148
5.14	Air Hose to Platform	149
5.15	Cold Weather Start - DF972/D902.	150
5.16	Cold Weather Start - WG752.	151
5.17	Telematics - ZTR	152
5.18	Positive Air Shut Off	154
5.19	Tool Caddy	156
5.20	Heavy Duty Pipe Rack	158
5.21	Secondary Guarding Lift Enable Kit.	159
5.22	Elevate Telematics	160
5.23	Cabinet Locking Service Kit	162
Section 6 – Labels		163
6.1	Label Kits	164
6.2	Labels - Left and Rear	165
6.3	Labels - Right and Front	167
6.4	Labels - Top	169
6.5	Labels - Miscellaneous	170
6.6	Labels - Cabinets.	171
Section 7 – Tables		172
7.1	Fluid Tables	173

Foreword

General

The information contained in this manual is designed to aid the user in locating and identifying replacement parts. Component parts of various assemblies and subassemblies comprising the work platform are illustrated and accompanied by a descriptive parts list. Exploded drawings are used to show relative location of component parts in disassembly order. If a part cannot be found in this manual, contact your local Skyjack Parts Department for assistance.

Parts Ordering Information

When ordering replacement parts, the complete part number and description should be used to ensure proper identification and delivery of the desired item. This complete identification should also be used when requesting equipment information.

Method of Listing

Parts are listed in order according to the reference number shown in the illustration, followed by a full description based upon the "NOUN FIRST" method. That is, the noun name of the part is listed first, then the modifying description information which serves to specifically identify the item. For example: PIN, Clevis.

Assemblies at the beginning of a parts list may be identified with a reference letter: A, B, C, etc. These letters are used to identify different configurations of the assembly. Individual parts in these lists have corresponding letters after their description to identify which assembly it is used in. If a part does not have a reference letter, it is used in all of the assemblies.

Bullets (•) are used to show the assembly structure, or parent/child relationship. A part listed at the beginning of the parts list without a bullet before the description is the main assembly, and all of the parts below it with one bullet are the subcomponent parts of that assembly. Two bullets denote a subcomponent of a subcomponent, etc.

Example:

Main Assembly A

- Part 1 (subcomponent of Main Assembly A)
- Part 2 (subcomponent of Main Assembly A)
- • Part 3 (subcomponent of Part 2)

Quantities

The quantities required to complete the assembly are given for each part. If the quantity is (AR), it is understood that the quantity may vary when the machine is equipped with certain options. Order quantity as needed.

How To Order Repair Parts

1. Address all orders to your local SKYJACK dealer.
2. Specify model and serial number of the work platform (found on the serial number plate).
3. List the quantity needed.
4. List the length needed (if it is a bulk item).
5. List the part number and description as shown in this manual for each item.
6. Show the billing and shipping address and the name of the individual, if possible.
7. Suggest the best routing.

Customer: _____

Dealer: _____

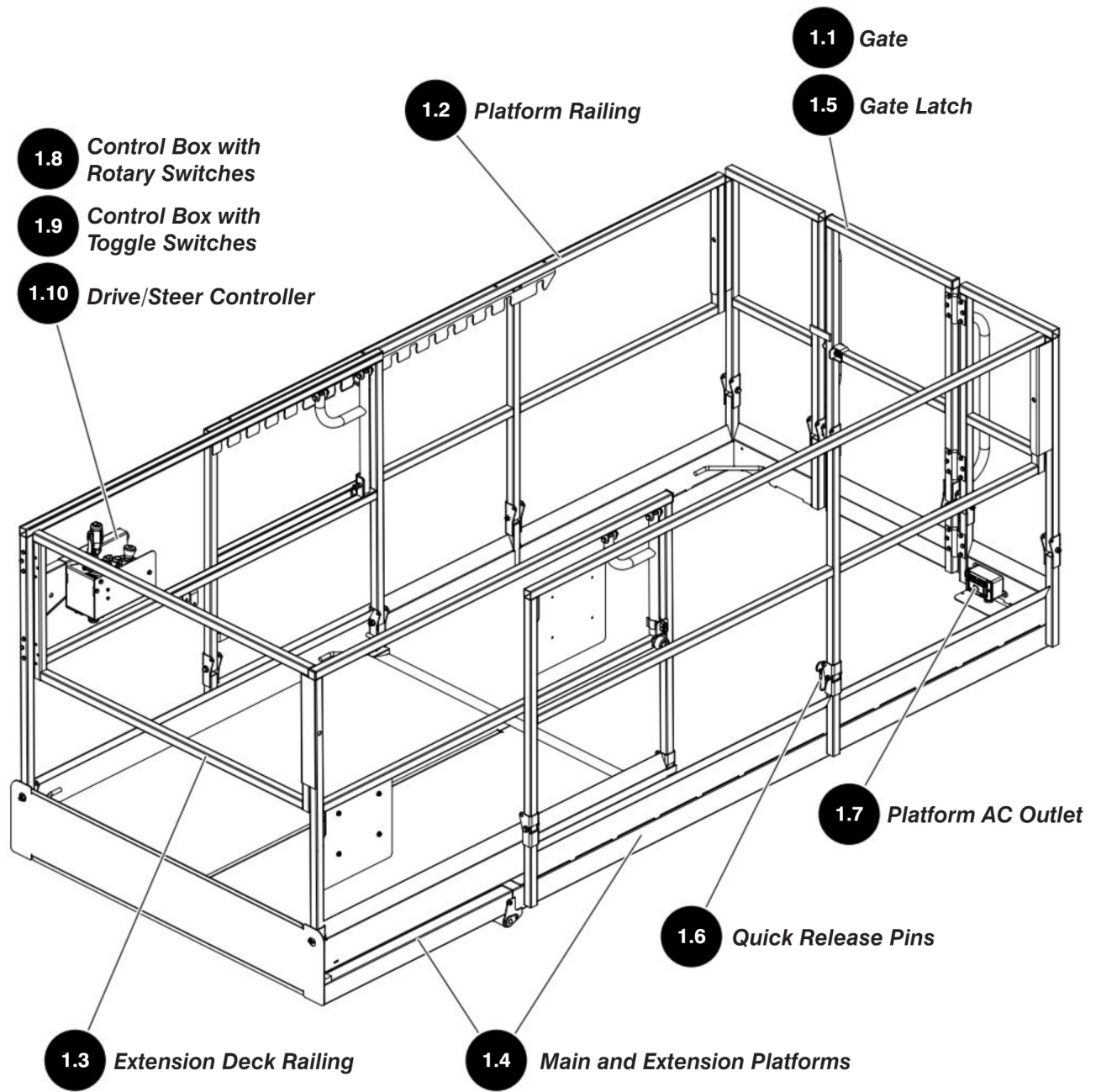
Model Number: _____

Serial Number: _____

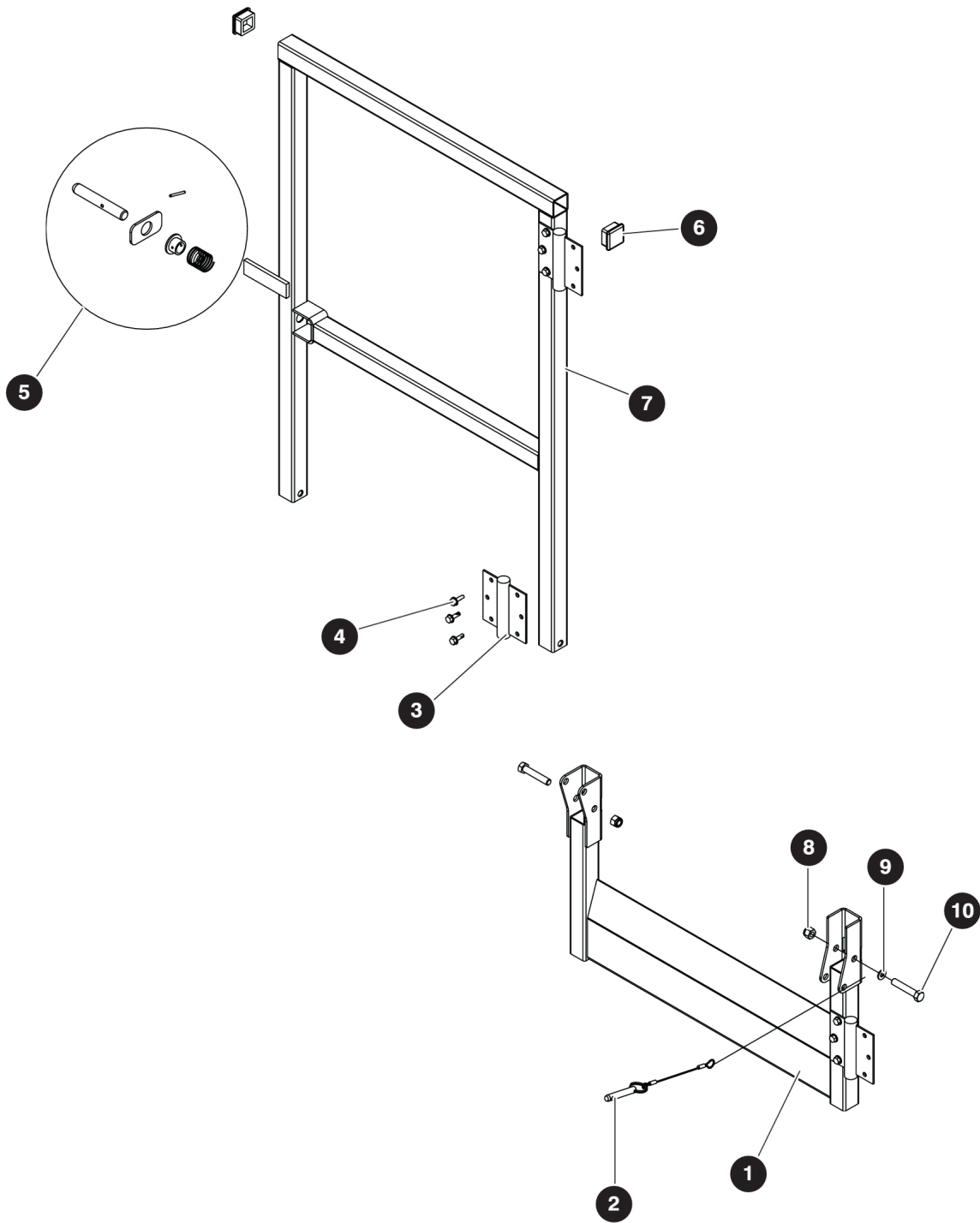
Date Purchased: _____

USE ONLY SKYJACK AUTHORIZED REPLACEMENT PARTS!

Section 1 – Platform



1.1 Gate



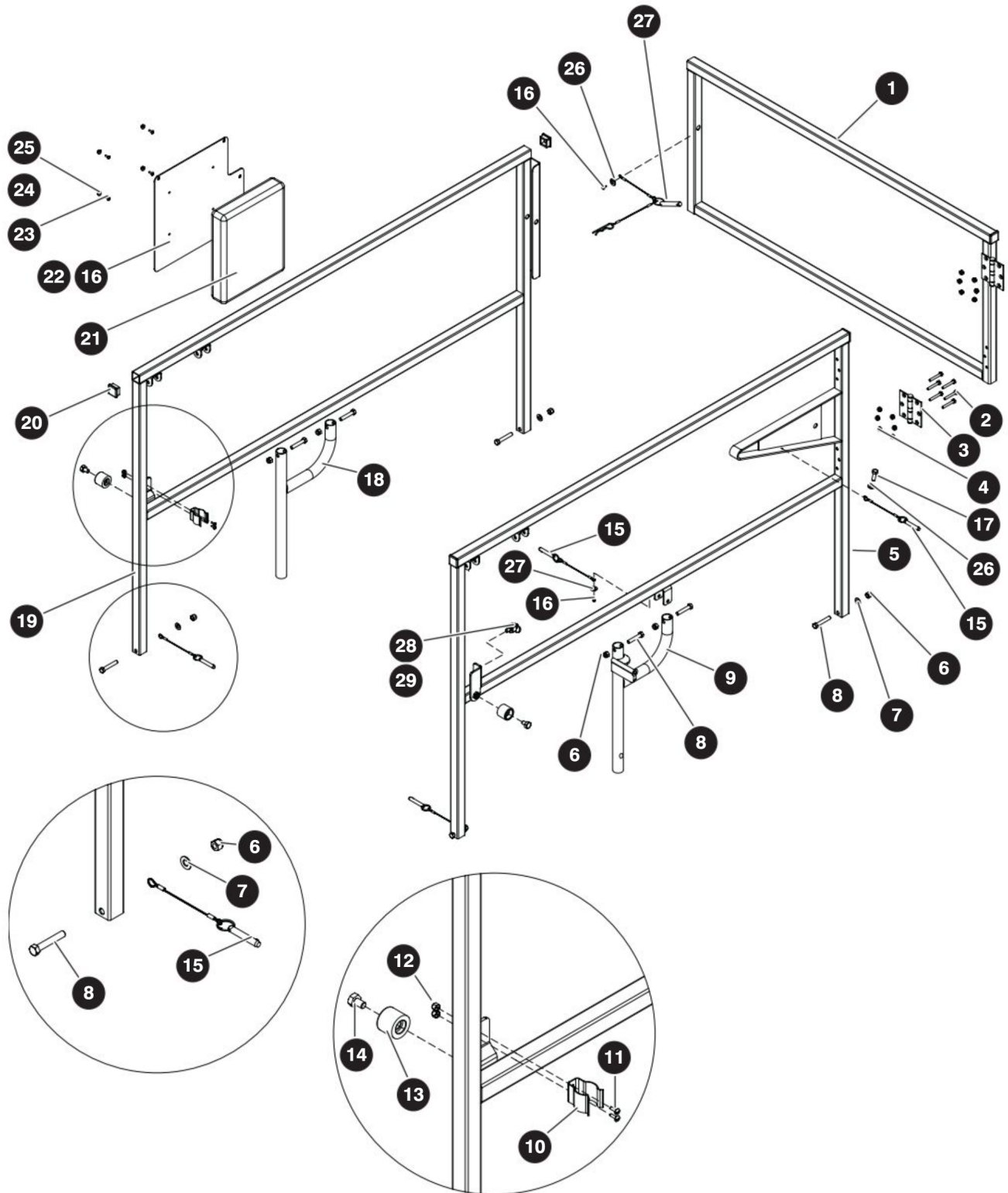
1.1 Gate

Index No.	Skyjack Part No.	Qty.	Description
–	135846	1	GATE ASSEMBLY
1	135878	1	• WELDMENT, Gate (Lower)
2	(Ref.)	1	• QUICK RELEASE LARGE LOOP PIN ASSEMBLY (For components, refer to Section 1.6 Quick Release Pins)
3	209527	3	• HINGE, Spring
-	240875	1	• • SCREW, SET (M4 X 0.7 X 15, STEEL)
4	112329	18	• SCREW, Hex head self tapping (1/4"-14 x 3/4")
5	(Ref.)	1	• LATCH ASSEMBLY (For components, refer to Section 1.5 Gate Latch)
6	100702	2	• END CAP, Plastic
7	135877	1	• WELDMENT, Gate (Upper)
8	104606	2	• NUT, Hex nylon lock (3/8"-16, Gr. 5)
9	103995	2	• WASHER, Flat (1/4")
10	103872	2	• BOLT, Hex head (3/8"-16 x 2.25", Gr. 5)

1.2 Platform Railing

Index No.	Skyjack Part No.	Qty.	Description
–	135849	–	PLATFORM RAILING ASSEMBLY
1	135875	1	• RAILING, Rear (Right hand)
2	136302	1	• PLATE, Stop gate latch
3	103632	AR	• SCREW, Hex head self tapping (1/4"–14 x 3/4")
4	135876	1	• RAILING, Rear (Left hand)
5	103995	AR	• WASHER, Flat (1/4")
6	(Ref.)	2	• LONG PIN ASSEMBLY (For components, refer to Section 1.6 Quick Release Pins)
7	135874	1	• WELDMENT, Railing (Left hand)
8	100702	AR	• END CAP, Plastic
9	160075DG	1	• PLATE, Warning label
10	127437	AR	• BOLT, Carriage (5/16"–18 x 2", Gr. 5)
11	136303	1	• PLATE, Extension interval
12	103984	AR	• NUT, Hex nylon lock (5/16"–18, Gr. 5)
13	103872	AR	• BOLT, Hex head (3/8"–16 x 2.25", Gr. 5)
14	103472	AR	• WASHER, Flat (3/8")
15	104606	AR	• NUT, Hex nylon lock (3/8"–16, Gr. 5)
16	(Ref.)	4	• PIN, Quick Release, Large Loop (For components, refer to Section 1.6 Quick Release Pins)
17	137452	1	• WELDMENT, Railing (Right hand)

1.3 Extension Deck Railing



M135848AA_1

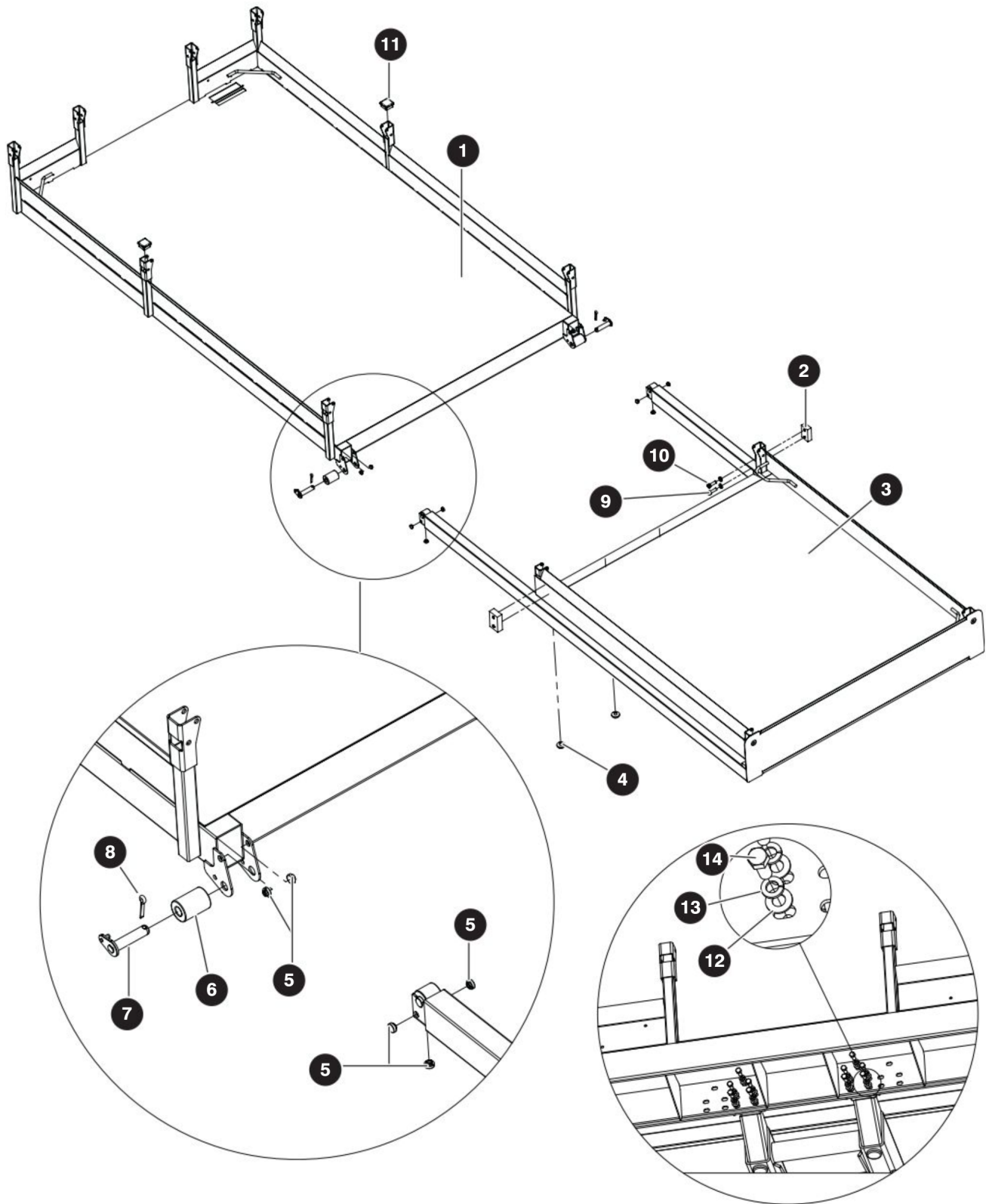
194370AD

SJ6826 RT, SJ6832 RT

1.3 Extension Deck Railing

Index No.	Skyjack Part No.	Qty.	Description
–	135848	–	EXTENSION PLATFORM RAILING ASSEMBLY
1	135881	1	• RAILING, Extension platform front
2	103860	12	• BOLT, Hex head (1/4"–20 x 1.75", Gr. 5)
3	136176	2	• HINGE, Steel
4	115649	12	• NUT, Hex nylon lock (1/4"–20, Gr. 5)
5	135879	1	• RAILING, Extension platform (Right hand)
6	104606	2	• NUT, Hex nylon lock (3/8"–16, Gr. 5)
7	103472	4	• WASHER, Flat (3/8")
8	103872	2	• BOLT, Hex head (3/8"–16 x 2.25", Gr. 5)
9	135889	1	• WELDMENT, Push bar with lock
10	137235	1	• CLIP, Gripper (1.5" – 2.5" diameter)
11	103960	2	• SCREW, Round head machine (#10–24 x 1/2")
12	126642	2	• NUT, Hex nylon lock (#10–24 Gr. 5)
13	130840	2	• BUMPER
14	123713	2	• BOLT, Hex head (M12–1.25 x 16 mm, Grade 9.8)
15	(Ref.)	–	• QUICK RELEASE LARGE LOOP PIN ASSEMBLY (For components, refer to Section 1.6 Quick Release Pins)
16	103632	6	• SCREW, Hex head self tapping (1/4"–14 x 3/4")
17	103855	1	• BOLT, Hex head (1/4"–20 x 1/2", Gr. 5)
18	135873	1	• WELDMENT, Push bar
19	135880	1	• RAILING, Extension platform (Left hand)
20	100702	5	• END CAP, Plastic
–	130231DG	1	• MANUAL BOX ASSEMBLY
21	172358	1	• • BOX, Manual
22	160075DG	1	• • PLATE, Warning label
23	103962	4	• • SCREW, Round head machine (#10–32 x 1/2")
24	104694	4	• • WASHER, Flat (#10)
25	130017	4	• • NUT, K–Lock zinc–plated (#10–32)
	207981	1	• • BAG, Re-sealable (12" x 9" x 0.002)
26	103995	3	• WASHER, Flat (1/4")
27	(Ref.)	–	• SHORT PIN ASSEMBLY (For components, refer to Section 1.6 Quick Release Pins)
28	209259	1	• PIN PLUNGER, Pull–ring
29	103982	1	• NUT, Hex Head 5/8"–11, Gr. 5
30	173200	1	• MANUAL, Manual of responsibilities (not shown) - ANSI/CSA

1.4 Main and Extension Platforms



M135869AE_M135858AA_1

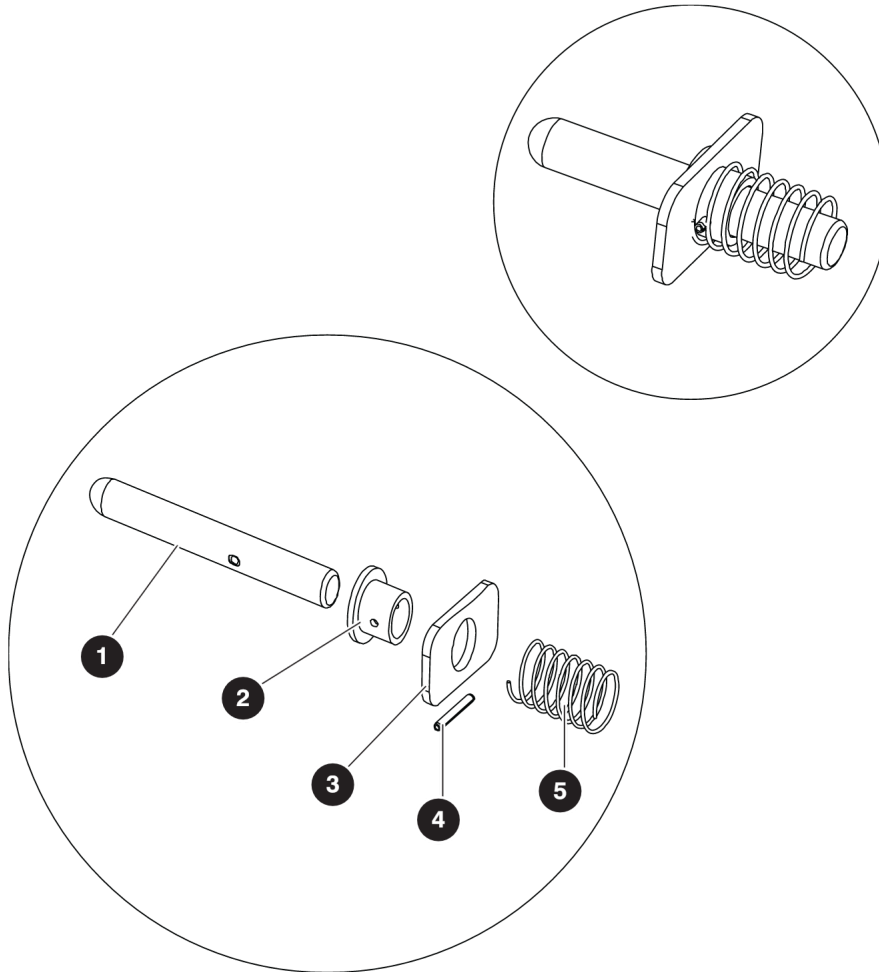
194370AD

SJ6826 RT, SJ6832 RT

1.4 Main and Extension Platforms

Index No.	Skyjack Part No.	Qty.	Description
-	135869	1	MAIN AND EXTENSION PLATFORM ASSEMBLY
1	168415	1	<ul style="list-style-type: none"> • WELDMENT, Main
2	140915	2	<ul style="list-style-type: none"> • BAR, Platform extension stop
3	135871	1	<ul style="list-style-type: none"> • WELDMENT, Extension platform
4	101954	5	<ul style="list-style-type: none"> • PAD, Bottom slide
5	125433	10	<ul style="list-style-type: none"> • BUSHING, Slider
6	125455	2	<ul style="list-style-type: none"> • ROLLER, Wide
7	125422	2	<ul style="list-style-type: none"> • PIN, Rollout roller
8	121874	2	<ul style="list-style-type: none"> • PIN, Cotter (1/4" diameter x 1.5")
9	117430	4	<ul style="list-style-type: none"> • BOLT, Hex head (3/8"-16 x 1.25", Gr. 8)
10	103999	4	<ul style="list-style-type: none"> • WASHER, Lock (3/8")
11	100702	2	<ul style="list-style-type: none"> • END CAP, Plastic
12	103472	10	WASHER, Flat (3/8")
13	103999	10	WASHER, Lock (3/8")
14	103473	10	BOLT, Hex head (3/8"-16 x 1", Gr. 5)

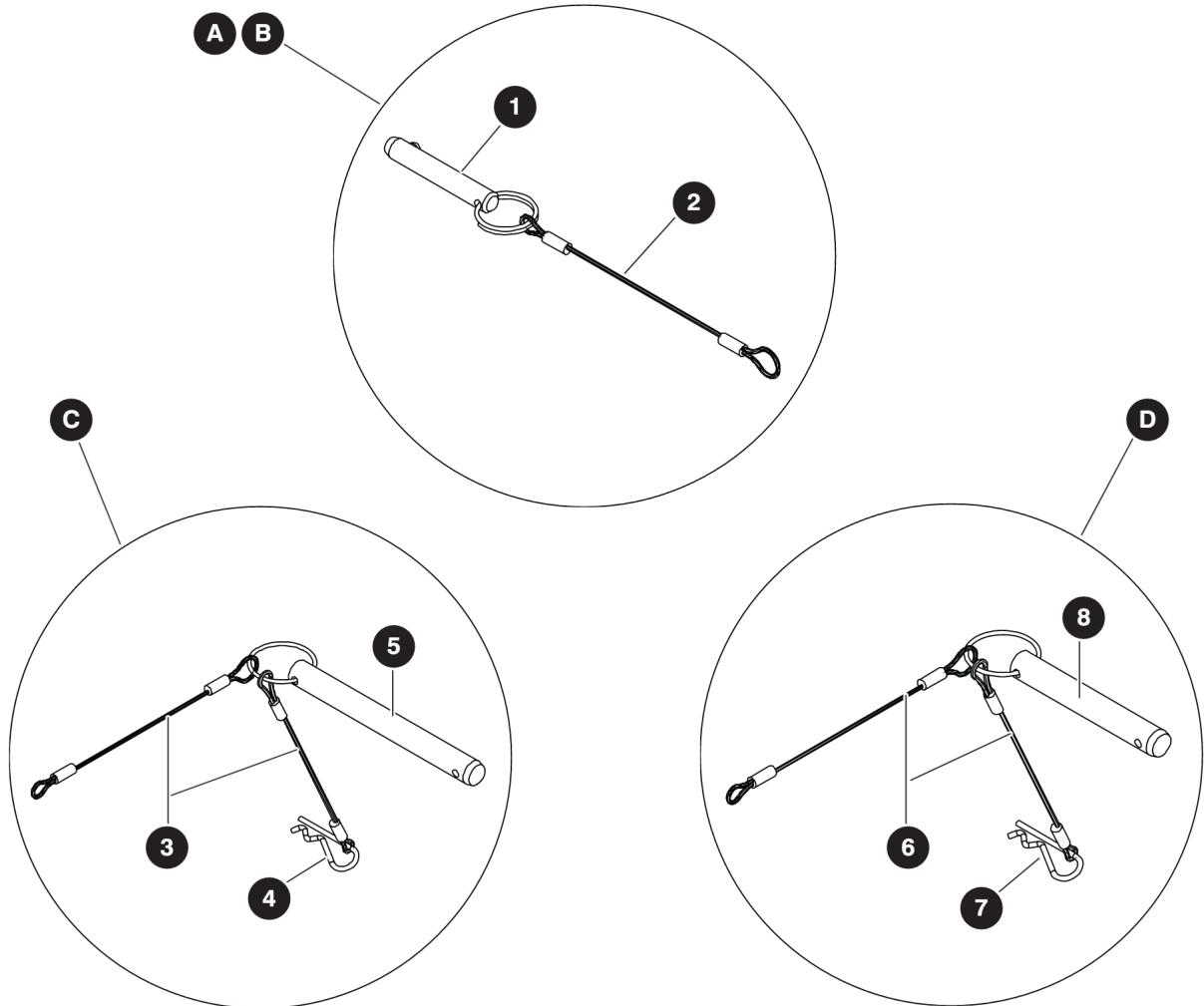
1.5 Gate Latch



M110824AA

Index No.	Skyjack Part No.	Qty.	Description
-	110824	1	ASSEMBLY, Latch pin spring
1	109377	1	• PIN, Latch
2	105312	1	• GUIDE, Nylon spring
3	105307	1	• PLATE, Gate latch release
4	100950	1	• PIN, Roll (1/8" x 1")
5	103107	1	• SPRING, Compression

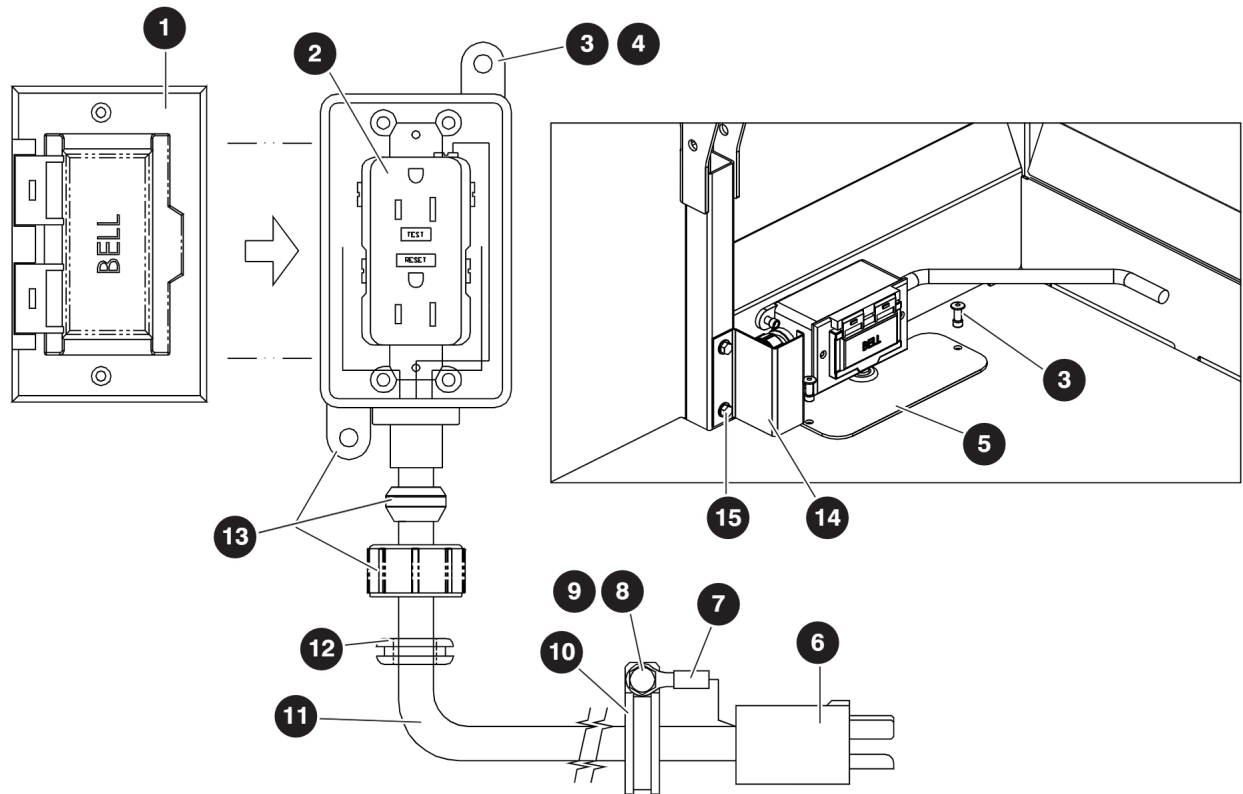
1.6 Quick Release Pins



M124548AB_M137217AA_137087AA

Index No.	Skyjack Part No.	Qty.	Description
A	124548	1	QUICK RELEASE LARGE LOOP PIN ASSEMBLY
B	124547	1	QUICK RELEASE SMALL LOOP PIN ASSEMBLY
1	100509	1	• PIN, Quick release (3/8" diameter x 1.688")
2	105807	1	• LANYARD, Plastic coated (6")
C	137217	1	LONG PIN ASSEMBLY
3	105807	2	• LANYARD, Plastic coated (6")
4	103055	1	• PIN, Cotter Hair
5	137086	1	• PIN, Ring (1/2" diameter x 4.125")
D	137087	1	SHORT PIN ASSEMBLY
6	105807	2	• LANYARD, Plastic coated (6")
7	103055	1	• PIN, Cotter Hair
8	137084	1	• PIN, Ring (1/2" diameter x 2.75")

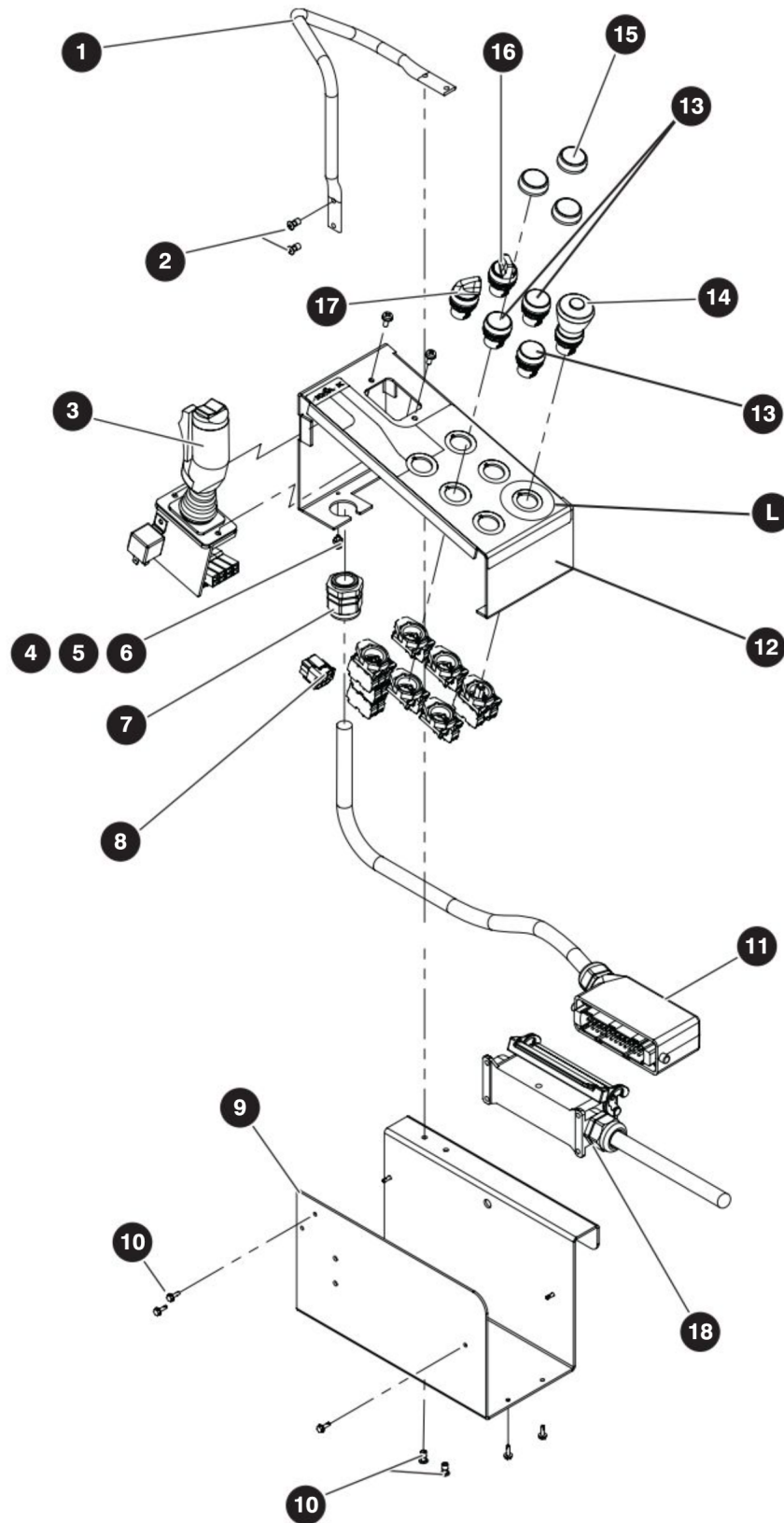
1.7 Platform AC Outlet



M156288AA_1

Index No.	Skyjack Part No.	Qty.	Description
-	138121	1	OUTLET BOX 110 V ASSEMBLY - SJ6826 RT
-	138129	1	OUTLET BOX 110 V ASSEMBLY - SJ6832 RT
1	109699	1	• PLATE, Weatherproof cover
2	109698	1	• RECEPTACLE, GFI (125 V)
3	134140	4	• RIVET, Open end dome (1/4" diameter)
4	103995	2	• WASHER, Flat (1/4")
5	137083	1	• PLATE, Outlet access cover
6	104208	1	• PLUG, Male (3-prong)
7	130730	1	• GROUND WIRE ASSEMBLY
8	103856	1	• BOLT, Hex head (1/4"-20 x 3/4")
9	115649	1	• NUT, Hex nylon lock (1/4"-20, Gr. 5)
10	103024	1	• SINGLE CLIP (G8)
11	167555	504"	• CABTIRE, 14/3 (Model 6826RT ANSI/CSA)
	167556	600"	• CABTIRE, 14/3 (Model 6832RT ANSI/CSA)
12	103014	1	• GROMMET, Rubber (7/8")
13	136328	1	• BOX, Outlet with fitting
L	138211	1	• LABEL, Connect AC Supply
-	156288	1	ONTARIO HYDRO COVER ASSEMBLY - Ontario Hydro Option ANSI/CSA
14	156689	1	• COVER, Ontario Hydro 110 - ANSI/CSA
15	103632	2	• SCREW, Hex head self tapping (1/4"-14 x 3/4") - ANSI/CSA

1.8 Control Box with Rotary Switches



M137798AA

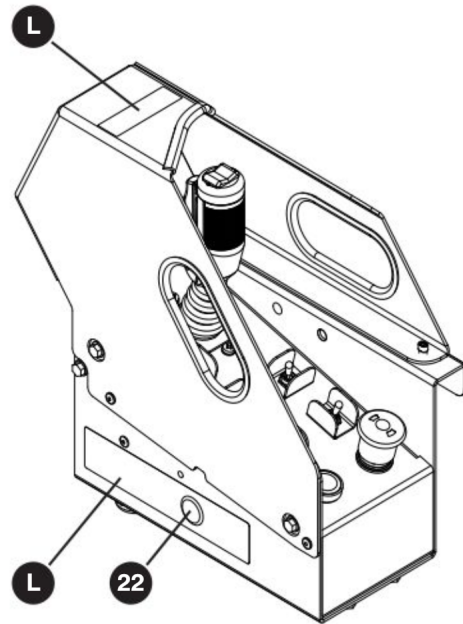
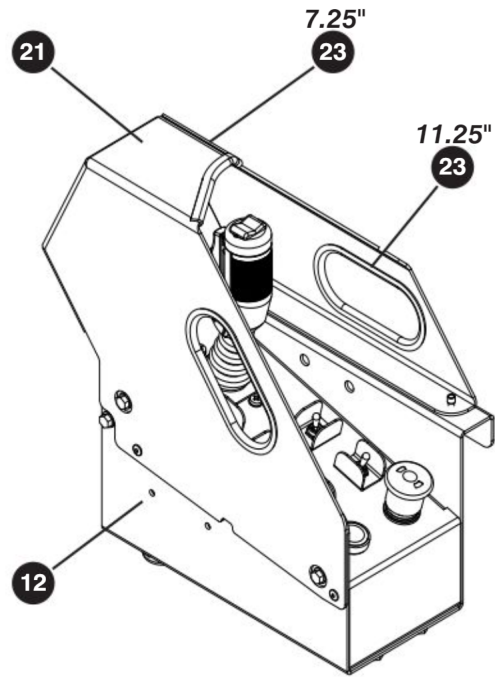
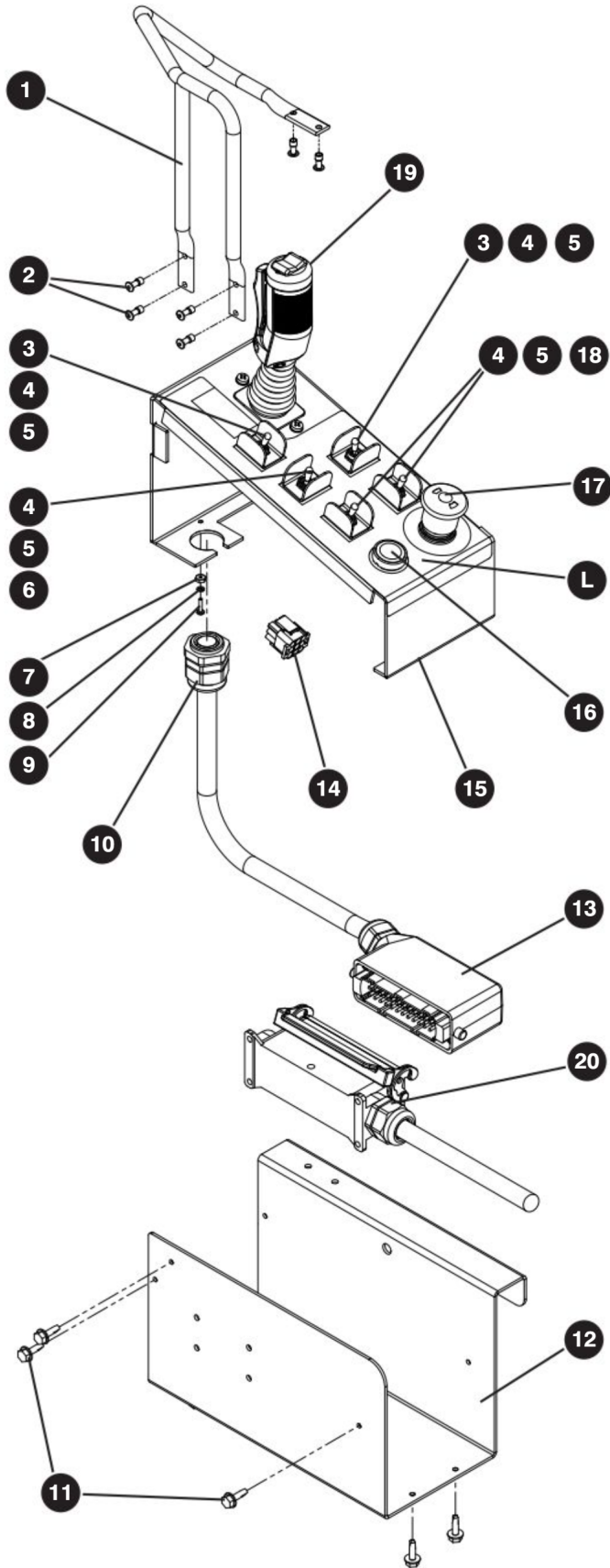
194370AD

SJ6826 RT, SJ6832 RT

1.8 Control Box with Rotary Switches

Index No.	Skyjack Part No.	Qty.	Description
–	137798	1	CONTROL BOX ASSEMBLY (with rotary switches)
1	160262	1	<ul style="list-style-type: none"> • GUARD, Control box
2	120948	4	<ul style="list-style-type: none"> • RIVET, Pop (3/16" diameter x 0.440")
3	159230	1	<ul style="list-style-type: none"> • JOYSTICK, 3 speed with relay <p>(For components, refer to Section 1.10 Drive/Steer Controller)</p>
4	106099	1	<ul style="list-style-type: none"> • WASHER, Lock (#6)
5	103985	1	<ul style="list-style-type: none"> • NUT, Hex Head (#6–32)
6	114678	1	<ul style="list-style-type: none"> • SCREW, Round head machine (#6–32 x 1/2")
7	300788	1	<ul style="list-style-type: none"> • STRAIN RELIEF (LTF 21)
8	116993	1	<ul style="list-style-type: none"> • CONNECTOR, Controller
9	137594	1	<ul style="list-style-type: none"> • PLATE, Control box (Outside)
10	103632	9	<ul style="list-style-type: none"> • BOLT, Hex head self tapping (1/4"–14 x 3/4")
11	137355	1	<ul style="list-style-type: none"> • CONTROL BOX CABLE ASSEMBLY (24 PIN)
	137201	120"	<ul style="list-style-type: none"> • CABLE (16/25)
	137329	1	<ul style="list-style-type: none"> • HOUSING, Side entry with strain relief
	137224	1	<ul style="list-style-type: none"> • INSERT, Male (24 PIN)
	121050	25	<ul style="list-style-type: none"> • FERULE, 16 GA (Black)
12	137593	1	<ul style="list-style-type: none"> • PLATE, Control box (Top)
13	–	3	<ul style="list-style-type: none"> • SWITCH ASSEMBLY
	137792	1	<ul style="list-style-type: none"> • HEAD, Switch Push Button (Black)
	137786	1	<ul style="list-style-type: none"> • SWITCH, Base Assembly
	137782	1	<ul style="list-style-type: none"> • BLOCK, N.O. Spring contact
	137781	1	<ul style="list-style-type: none"> • LATCH
14	–	1	<ul style="list-style-type: none"> • SWITCH ASSEMBLY, Emergency stop
	137795	1	<ul style="list-style-type: none"> • SWITCH HEAD, Emergency stop
	137791	1	<ul style="list-style-type: none"> • SWITCH ASSEMBLY (Base)
	137785	1	<ul style="list-style-type: none"> • SWITCH, LED block (Red)
	137783	2	<ul style="list-style-type: none"> • BLOCK, N.C. Contact
	137781	1	<ul style="list-style-type: none"> • LATCH
15	137796	3	<ul style="list-style-type: none"> • BOOT, Push button (Round)
16	–	1	<ul style="list-style-type: none"> • SELECTOR SWITCH ASSEMBLY (Low/High throttle)
	137794	1	<ul style="list-style-type: none"> • SWITCH HEAD, Selector (2–Way)
	137786	1	<ul style="list-style-type: none"> • SWITCH ASSEMBLY (Base)
	137782	1	<ul style="list-style-type: none"> • BLOCK, N.O. Spring contact
	137781	1	<ul style="list-style-type: none"> • LATCH
17	–	1	<ul style="list-style-type: none"> • SWITCH ASSEMBLY (Lift Drive)
	137793	1	<ul style="list-style-type: none"> • SWITCH HEAD, Selector (3–Way)
	137788	1	<ul style="list-style-type: none"> • SWITCH ASSEMBLY (Base)
	137783	3	<ul style="list-style-type: none"> • BLOCK, N.C. Contact
	137782	4	<ul style="list-style-type: none"> • BLOCK, N.O. Contact
	137781	1	<ul style="list-style-type: none"> • LATCH
L	(Ref.)	1	<ul style="list-style-type: none"> • LABEL, Control console <p>(For components, refer to Section 6.1 Label Kits)</p>
18	137356	1	CONTROL CABLE ASSEMBLY - SJ6826 RT
	137363	1	CONTROL CABLE ASSEMBLY - SJ6832 RT
			(For components, refer to Section 2.5 Scissor Arm Control Cable)

1.9 Control Box with Toggle Switches



M166122AC_M166130AD

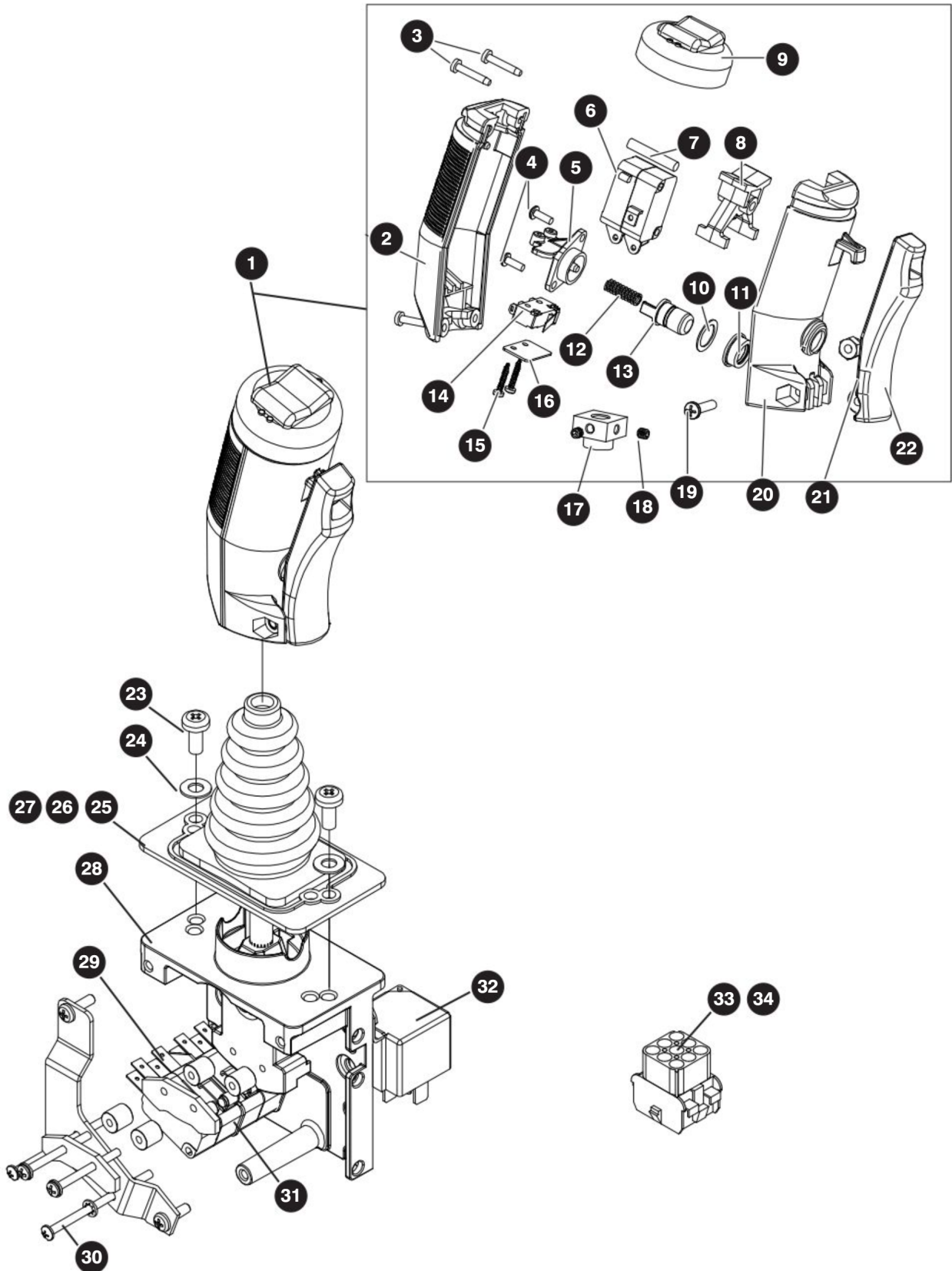
194370AD

SJ6826 RT, SJ6832 RT

1.9 Control Box with Toggle Switches

Index No.	Skyjack Part No.	Qty.	Description
A	166122	1	CONTROL BOX
B	166130	1	CONTROL BOX, ALUMINUM GUARD
C	232551	1	CONTROL BOX, ALUMINUM GUARD - SGLE
1	160262	1	• GUARD, Control box
2	120948	6	• RIVET, Pop (3/16" diameter x 0.440"), A
	157759	4	• RIVET, Pop - 3/16" x 9/16" steel SM FLG DM HD O-end, B, C
3	115574	2	• SWITCH, Toggle 1NT1-2
4	144016	5	• SEAL, Toggle switch panel bushing
5	111181	5	• GUARD, Toggle switch
6	116382	1	• SWITCH, Toggle 4NT1-1
7	103985	1	• NUT, Hex Head (#6-32)
8	106099	1	• WASHER, Lock (#6)
9	114678	1	• SCREW, Round head machine (#6-32 x 1/2")
10	300788	1	• STRAIN RELIEF (LTF 21)
11	103632	9	• BOLT, Hex head self tapping (1/4"-14 x 3/4")
12	137594	1	• PLATE, Control box (Outside)
13	137355	1	• CONTROL BOX CABLE ASSEMBLY (24 PIN)
	137201	120"	• • CABLE (16/25)
	137329	1	• • HOUSING, Side entry with strain relief
	137224	1	• • INSERT, Male (24 PIN)
	121050	25	• • FERULE, 16 GA (Black)
14	116993	1	• CONNECTOR, Controller
15	166111	1	• PLATE, Control box (Top)
16	144648	3	• PUSH BUTTON ASSEMBLY, Horn
	147058	1	• • HEAD, Switch Push Button (Black)
	147054	2	• • BLOCK, NO Contact
	147056	1	• • LATCH
17	194729	1	• SWITCH ASSEMBLY, Emergency stop
	147051	1	• • SWITCH HEAD, Emergency stop
	147061	1	• • BLOCK, LED, Red, 24 V
	147053	2	• • BLOCK, NC Contact
	147056	1	• • LATCH
18	115573	2	• SWITCH, Toggle 1TL1-8
19	159230	1	• JOYSTICK, 3 speed with relay
			(For components, refer to Section 1.10 Drive/Steer Controller)
20	137356	1	• CONTROL CABLE ASSEMBLY - SJ6826 RT
	137363	1	• CONTROL CABLE ASSEMBLY - SJ6832 RT
			(For components, refer to Section 2.5 Scissor Arm Control Cable)
21	161817	1	• GUARD, Control Box, B, C
22	220498	1	• PUSHBUTTON, SGLE, B, C
23	194731	30"	• EDGE MOLDING, Control Box, B, C
24	220559	1	• INSTRUCTIONS, SGLE Install (Not shown), B, C
L	(Ref.)	1	• LABEL
			(For components, refer to Section 6.5 Labels - Miscellaneous)

1.10 Drive/Steer Controller



M159230AA

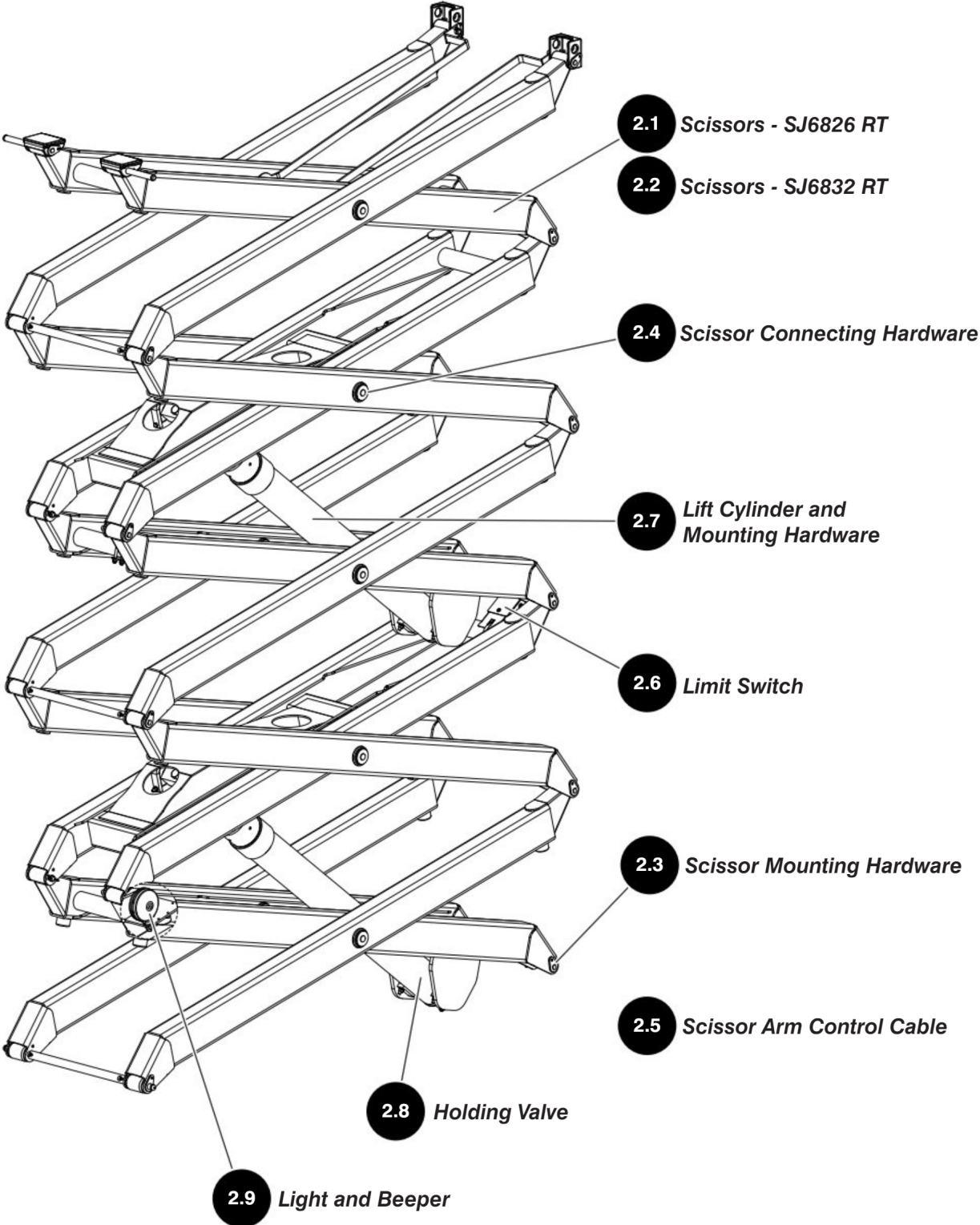
194370AD

SJ6826 RT, SJ6832 RT

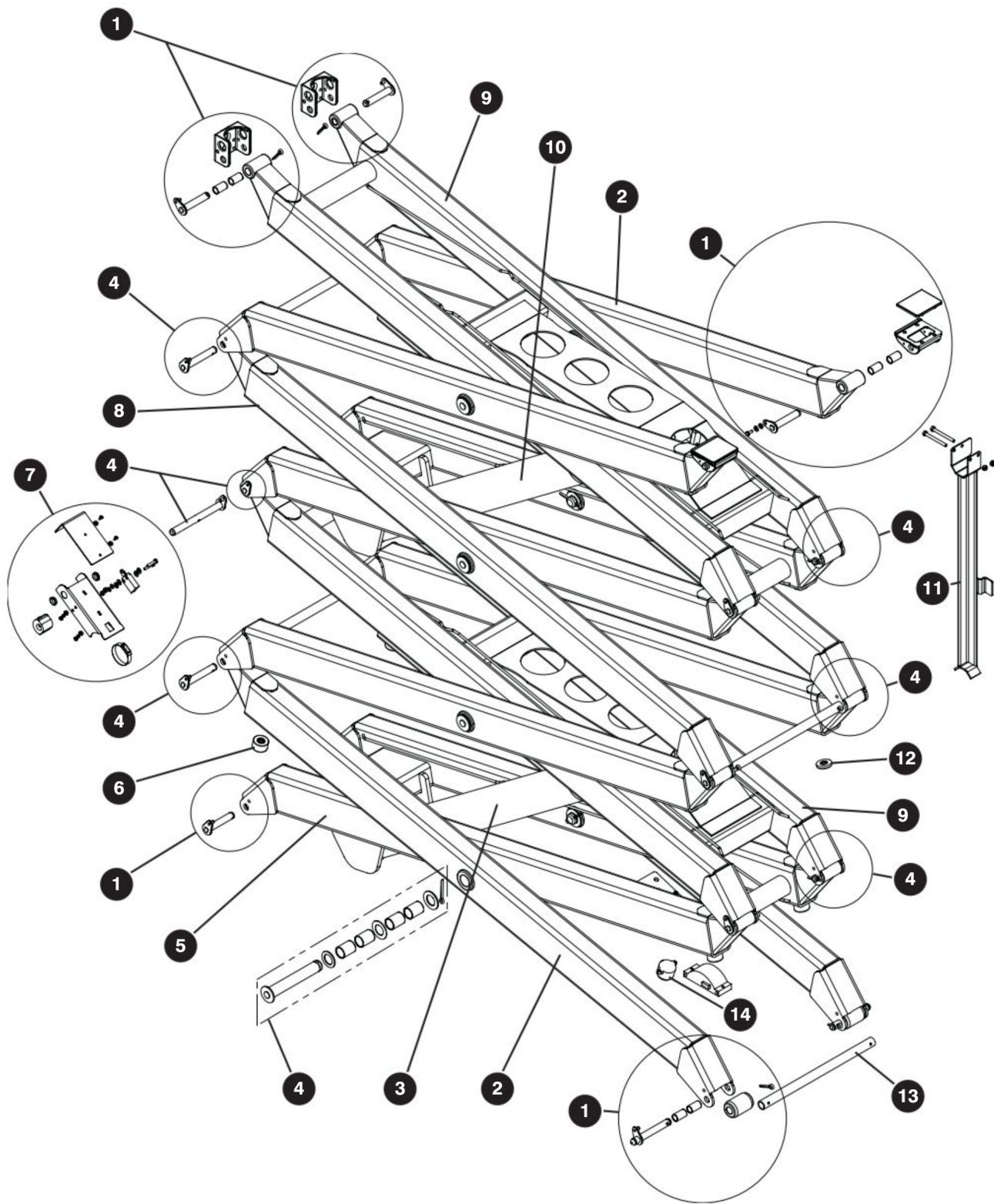
1.10 Drive/Steer Controller

Index No.	Skyjack Part No.	Qty.	Description
–	159109	1	DRIVE/STEER CONTROLLER
1	159055	1	• HANDLE ASSEMBLY
2	159057	1	• • HANDLE, Front half
3	122879	4	• • SCREW, Controller handle
4	159065	2	• • SCREW, Plastite (#4–20 x 5/16")
5	159060	1	• • HOLDER, Micro switch
6	159613	1	• • ROCKER MICRO ASSEMBLY
7	141341	1	• • AXLE, Rocker
8	154717	1	• • ROCKER
9	122874	1	• • CAP, Rubber
10	159063	1	• • WASHER
11	159062	1	• • BOOT, Plunger switch
12	159064	1	• • SPRING
13	159061	1	• • SWITCH, Plunger
14	159067	1	• • SWITCH, Lever micro
15	159066	2	• • SCREW, Plastite (#2–28 x 1/2")
16	159068	1	• • INSULATOR, Micro
17	122961	1	• • COUPLING (8 mm)
18	122960	2	• • SCREW, Set
19	154718	1	• • SCREW (#6–32 x 5/8")
20	159058	1	• • HANDLE, Back half
21	122964	1	• • NUT, Controller lever
22	159059	1	• • LEVER, Trigger
23	122846	2	• SCREW
24	122847	2	• WASHER
25	127179	1	• BOOT and GASKET
26	162552	1	• WASHER
27	162553	1	• E-CLIP
28	122861	1	• BASE
29	122869	4	• MICRO SWITCH
30	162556	2	• SCREW
31	162555	1	• INSULATOR
32	127035	1	• RELAY, 12 V (40 A)
33	122840	1	• MALE CONNECTOR ASSEMBLY (9 pin)
	116993	1	• • HOUSING, Male
	116990	9	• • PIN, Wire (Female)
34	122841	1	• FEMALE CONNECTOR ASSEMBLY (9 pin)
	122839	1	• • HOUSING, Female
	116989	9	• • PIN, Wire (Male)

Section 2 – Scissors



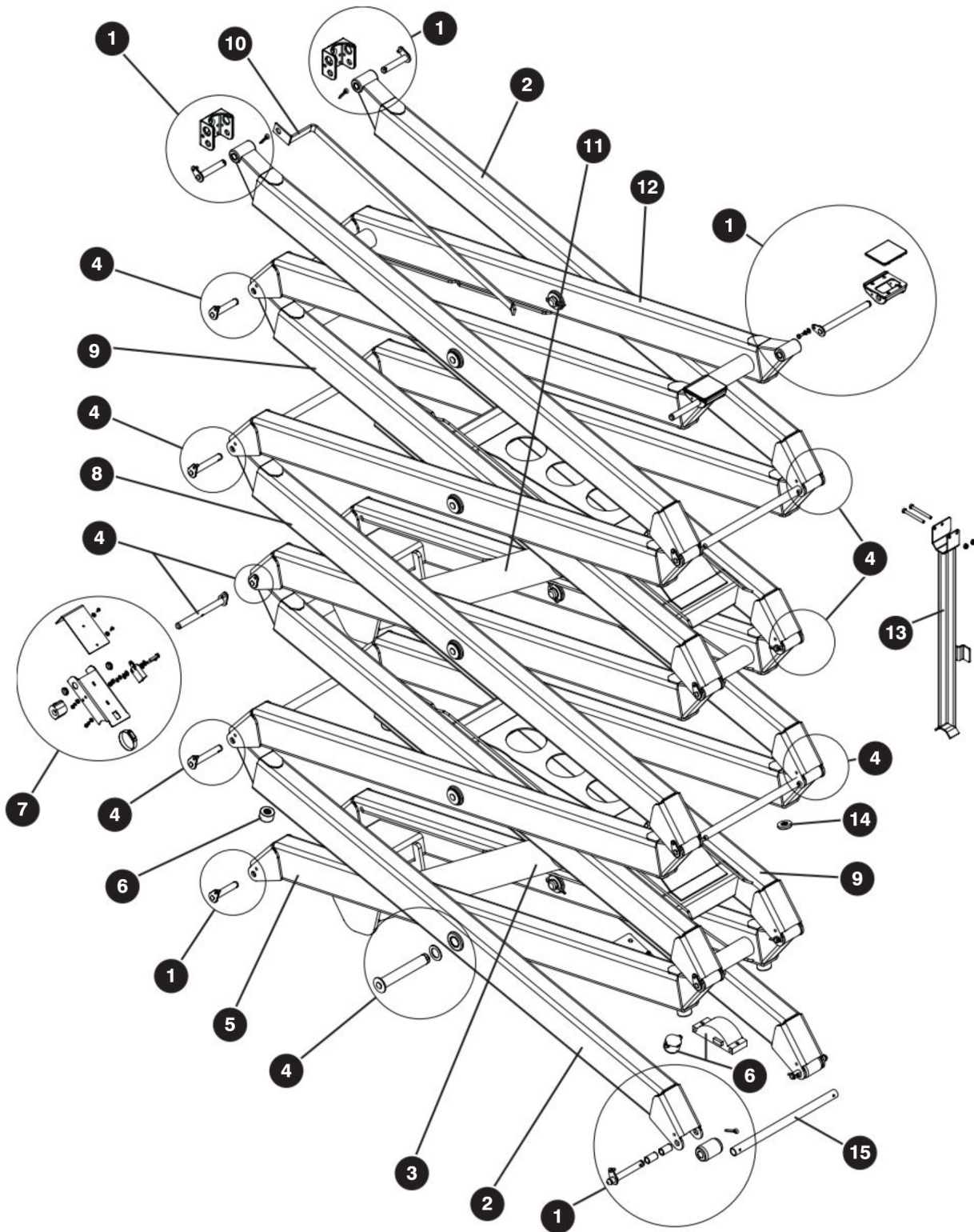
2.1 Scissors - SJ6826 RT



2.1 Scissors - SJ6826 RT

Index No.	Skyjack Part No.	Qty.	Description
–	170587DG	1	SCISSOR ASSEMBLY - ANSI/CSA
1	(Ref.)	1	<ul style="list-style-type: none"> SCISSOR ASSEMBLY – MOUNTING HARDWARE (For components, refer to Section 2.3 Scissor Mounting Hardware)
2	170459DG	8	<ul style="list-style-type: none"> SCISSOR ARMS, Outside
3	(Ref.)	1	<ul style="list-style-type: none"> CYLINDER, Lower lift (For components, refer to Section 2.7 Lift Cylinder and Mounting Hardware)
4	(Ref.)	1	<ul style="list-style-type: none"> SCISSOR ASSEMBLY – CONNECTING HARDWARE (For components, refer to Section 2.4 Scissor Connecting Hardware)
5	170463DG	1	<ul style="list-style-type: none"> SCISSOR LEVEL, Inside (1st Level)
6	130841	4	<ul style="list-style-type: none"> BUMPER ASSEMBLY, 1st Level
	130840	1	<ul style="list-style-type: none"> BUMPER, Scissor bottom (1st Level)
	123713	1	<ul style="list-style-type: none"> BOLT, Hex head (M12–1.25 x 16 mm, Grade 9.8)
	933630	1	<ul style="list-style-type: none"> WASHER, Structural - Hard (M12)
7	(Ref.)	1	<ul style="list-style-type: none"> LIMIT SWITCH ASSEMBLIES (For components, refer to Section 2.6 Limit Switch)
8	170465DG	1	<ul style="list-style-type: none"> SCISSOR LEVEL, Inside (3rd Level)
9	170464DG	2	<ul style="list-style-type: none"> SCISSOR LEVEL, Inside (2nd and 4th Level)
10	(Ref.)	1	<ul style="list-style-type: none"> CYLINDER, Upper lift (For components, refer to Section 2.7 Lift Cylinder and Mounting Hardware)
11	132539DG	1	<ul style="list-style-type: none"> MAINTENANCE SUPPORT ASSEMBLY
	123344DG	1	<ul style="list-style-type: none"> MAINTENANCE SUPPORT
	122006	2	<ul style="list-style-type: none"> BOLT, Hex head (5/16"–18 x 3.25", Gr. 5)
	103984	2	<ul style="list-style-type: none"> NUT, Hex (5/16"–18, Gr. 5)
12	121860	12	<ul style="list-style-type: none"> BUMPER, Scissor arm
13	(Ref.)	1	<ul style="list-style-type: none"> TUBE, Outside scissor spacer (For components, refer to Section 2.4 Scissor Connecting Hardware)
14	(Ref.)	1	<ul style="list-style-type: none"> LIGHT AND BEEPER ASSEMBLY (For components, refer to Section 2.9 Light and Beeper)

2.2 Scissors - SJ6832 RT



M135872AA

194370AD

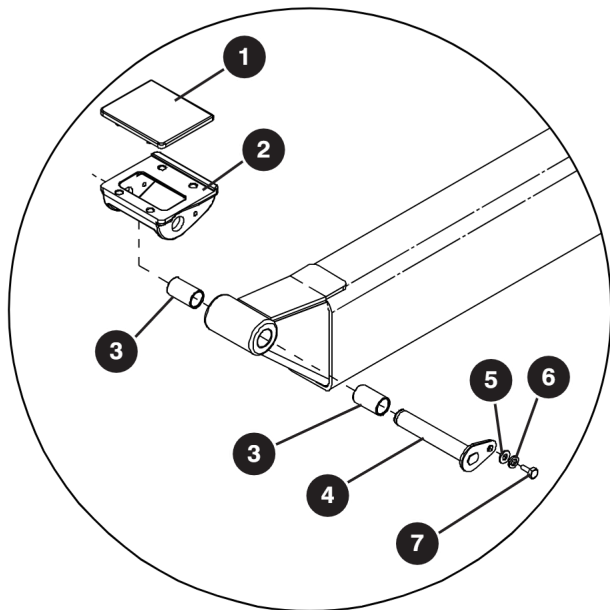
SJ6826 RT, SJ6832 RT

2.2 Scissors - SJ6832 RT

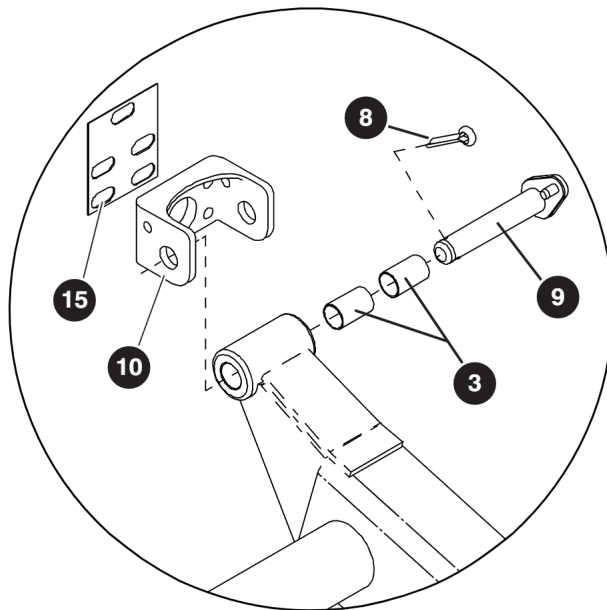
Index No.	Skyjack Part No.	Qty.	Description
–	170576DG	1	SCISSOR ASSEMBLY - ANSI/CSA
–	170583DG	1	SCISSOR ASSEMBLY - KC
1	(Ref.)	1	<ul style="list-style-type: none"> SCISSOR ASSEMBLY – MOUNTING HARDWARE (For components, refer to Section 2.3 Scissor Mounting Hardware)
2	170459DG	10	<ul style="list-style-type: none"> SCISSOR ARMS, Outside
3	(Ref.)	1	<ul style="list-style-type: none"> CYLINDER, Lower lift (For components, refer to Section 2.7 Lift Cylinder and Mounting Hardware)
4	(Ref.)	1	<ul style="list-style-type: none"> SCISSOR ASSEMBLY – CONNECTING HARDWARE (For components, refer to Section 2.4 Scissor Connecting Hardware)
5	170463DG	1	<ul style="list-style-type: none"> SCISSOR LEVEL, Inside (1st Level)
6	130841	4	<ul style="list-style-type: none"> BUMPER ASSEMBLY, 1st Level
	130840	1	<ul style="list-style-type: none"> BUMPER, Scissor (1st level)
	123713	1	<ul style="list-style-type: none"> BOLT, Hex head (M12–1.25 x 16 mm, Gr. 9.8)
	933630	1	<ul style="list-style-type: none"> WASHER, Structural - Hard (M12)
7	(Ref.)	1	<ul style="list-style-type: none"> LIMIT SWITCH ASSEMBLIES (For components, refer to Section 2.6 Limit Switch)
8	170465DG	1	<ul style="list-style-type: none"> SCISSOR LEVEL, Inside (3rd Level)
9	170464DG	2	<ul style="list-style-type: none"> SCISSOR LEVEL, Inside (2nd and 4th Level)
10	121907DG	2	<ul style="list-style-type: none"> WELDMENT, Cable carrier
11	(Ref.)	1	<ul style="list-style-type: none"> CYLINDER, Upper lift (For components, refer to Section 2.7 Lift Cylinder and Mounting Hardware)
12	170598DG	1	<ul style="list-style-type: none"> SCISSOR LEVEL, Inside (5th Level)
13	132539DG	1	<ul style="list-style-type: none"> MAINTENANCE SUPPORT ASSEMBLY
	123344DG	1	<ul style="list-style-type: none"> MAINTENANCE SUPPORT
	122006	AR	<ul style="list-style-type: none"> BOLT, Hex head (5/16"–18 x 3.25", Gr. 5)
	103984	AR	<ul style="list-style-type: none"> NUT, Hex (5/16"–18)
14	121860	16	<ul style="list-style-type: none"> BUMPER, Scissor arm
15	(Ref.)	1	<ul style="list-style-type: none"> TUBE, Outside scissor spacer (For components, refer to Section 2.4 Scissor Connecting Hardware)
16	(Ref.)	1	<ul style="list-style-type: none"> LIGHT AND BEEPER ASSEMBLY (For components, refer to Section 2.9 Light and Beeper)

2.3 Scissor Mounting Hardware

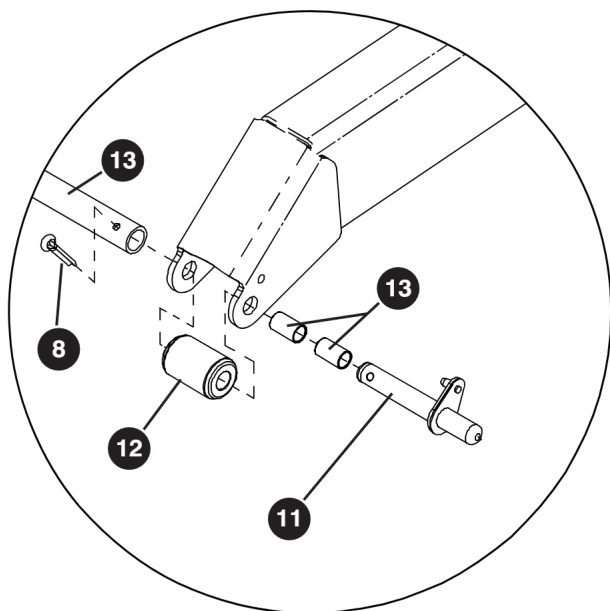
Top Slider Assembly



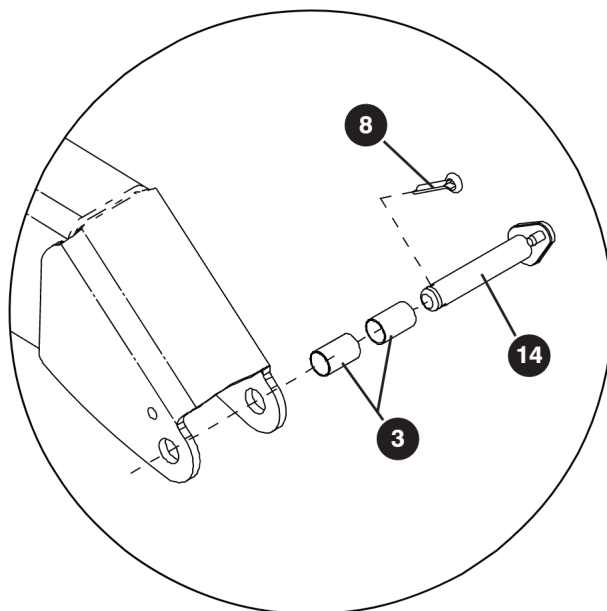
Main Platform Bracket Mounting Assembly



Bottom Slider Assembly



End Pin Assembly at Base

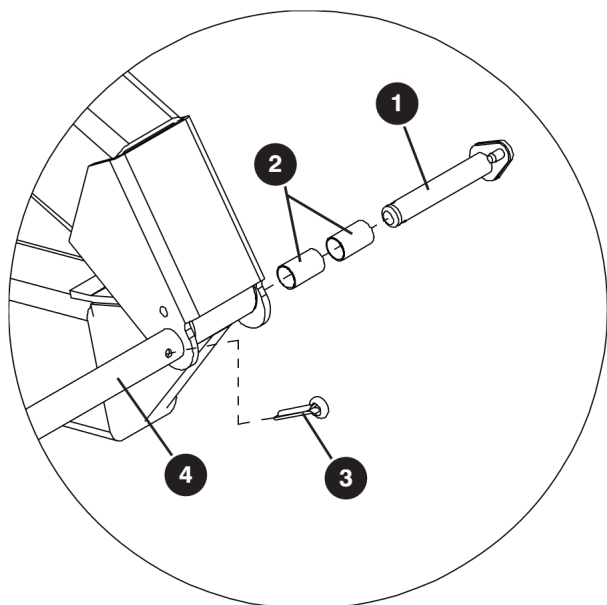


2.3 Scissor Mounting Hardware

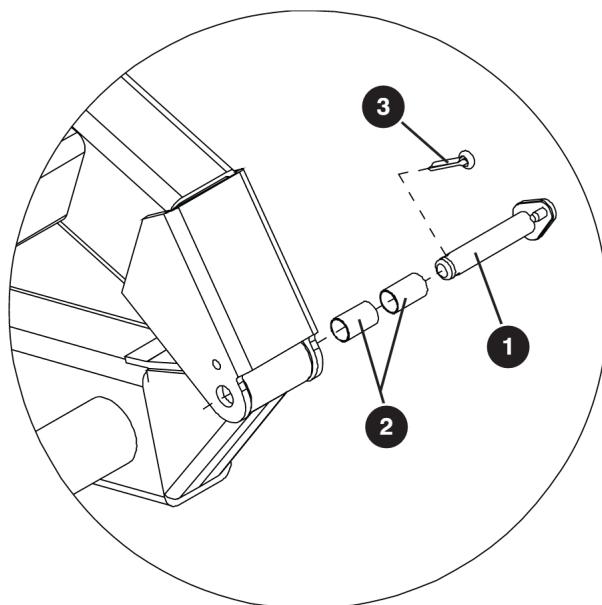
Index No.	Skyjack Part No.	Qty.	Description
1	120772	2	PAD, Slider
2	120771DG	2	BRACKET, Main platform slider
3	123430	AR	BUSHING, Fiberglide (3/4" Inner diameter x 1.5")
4	134494	2	PIN, Upper slider (without cable carrier weldment)
	137207	AR	PIN, Upper slider (with cable carrier weldment) - SJ6832 RT
5	103995	AR	WASHER, Flat (1/4")
6	104000	AR	WASHER, Lock (1/4")
7	103892	AR	BOLT, Hex head (1/4"-20 x 5/8")
8	121874	AR	COTTER PIN (1/4" x 1.25")
9	120958	AR	PIN (3/4" diameter x 4") (without cable carrier weldment)
	121676	AR	PIN (3/4" diameter x 4.25") (with cable carrier weldment)
10	134065DG	2	CASTING, Platform mounting bracket
11	210201	2	PIN, Bottom roller
12	120697	2	ROLLER, Scissor
13	(Ref.)	1	TUBE, Outside scissor spacer (For components, refer to Section 2.4 Scissor Connecting Hardware)
14	126027	2	PIN, Scissor to base
15	210175	2	SHIM, Platform Mount

2.4 Scissor Connecting Hardware

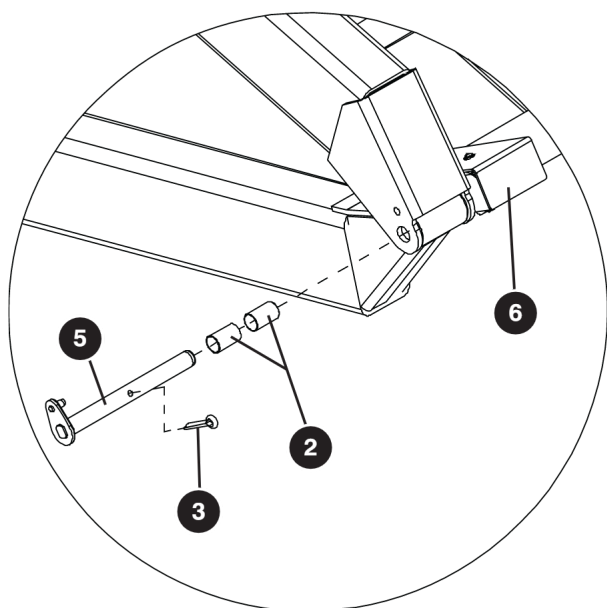
Outside End Pin Assembly
(With Cross Member Tube)



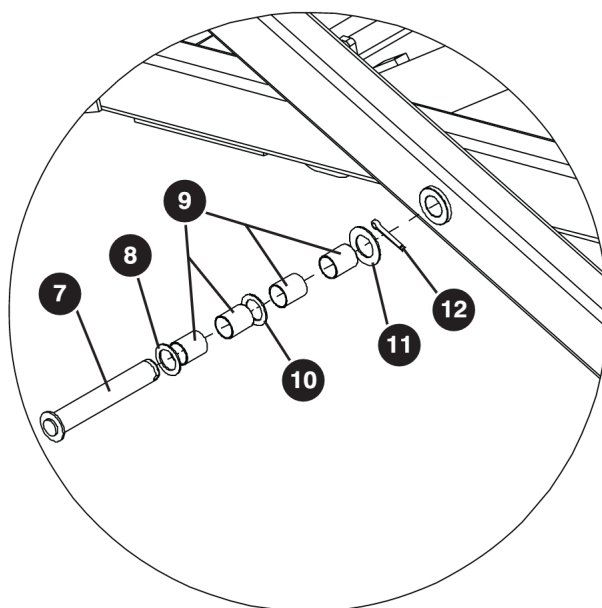
Inside End Pin Assembly
(Without Cross Member Tube)



Limit Switch Pin Assembly



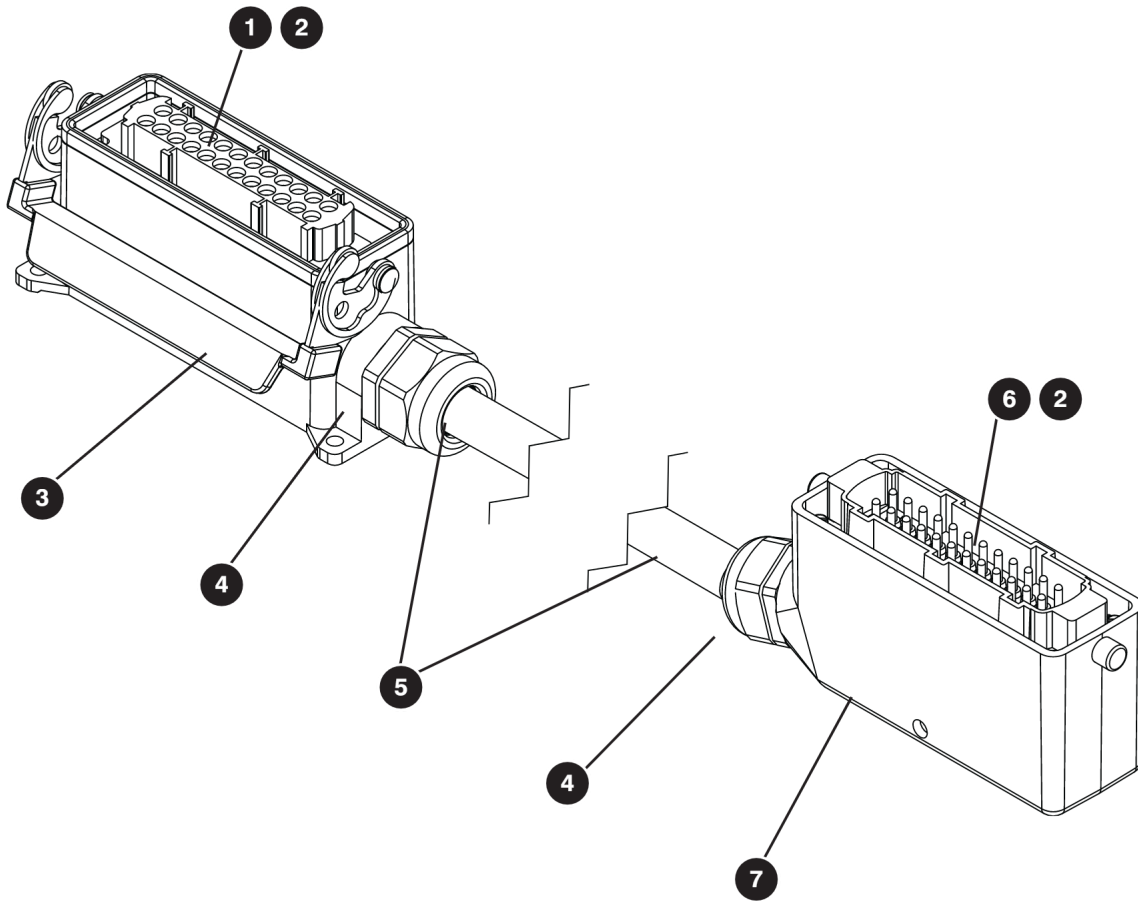
Center Pin Assembly



2.4 Scissor Connecting Hardware

Index No.	Skyjack Part No.	Qty.	Description
1	120958	AR	PIN, Inside scissor
2	123430	AR	BUSHING, Fiberglide (3/4" Inner diameter x 1.5")
3	121874	AR	COTTER PIN (1/4" x 1.25")
4	121605DG	3	TUBE, Outside scissor spacer
5	121677	1	PIN, Limit switch
6	(Ref.)	1	ASSEMBLY, Limit switch (For components, refer to Section 2.6 Limit Switch)
7	120673	8	PIN, Center
8	101520	8	WASHER, Nylon (2" OD x 1.28" ID x 0.12")
9	123431	16	BUSHING, Fiberglide (1.25" x 1.8125")
10	121703	8	SPACER, Bearing thrust Fiberglide (1.25" Inner diameter)
11	122502	8	WASHER, Flat (1.25" ID x 2.25" OD)
12	121875	8	COTTER PIN (5/16" x 2.0")

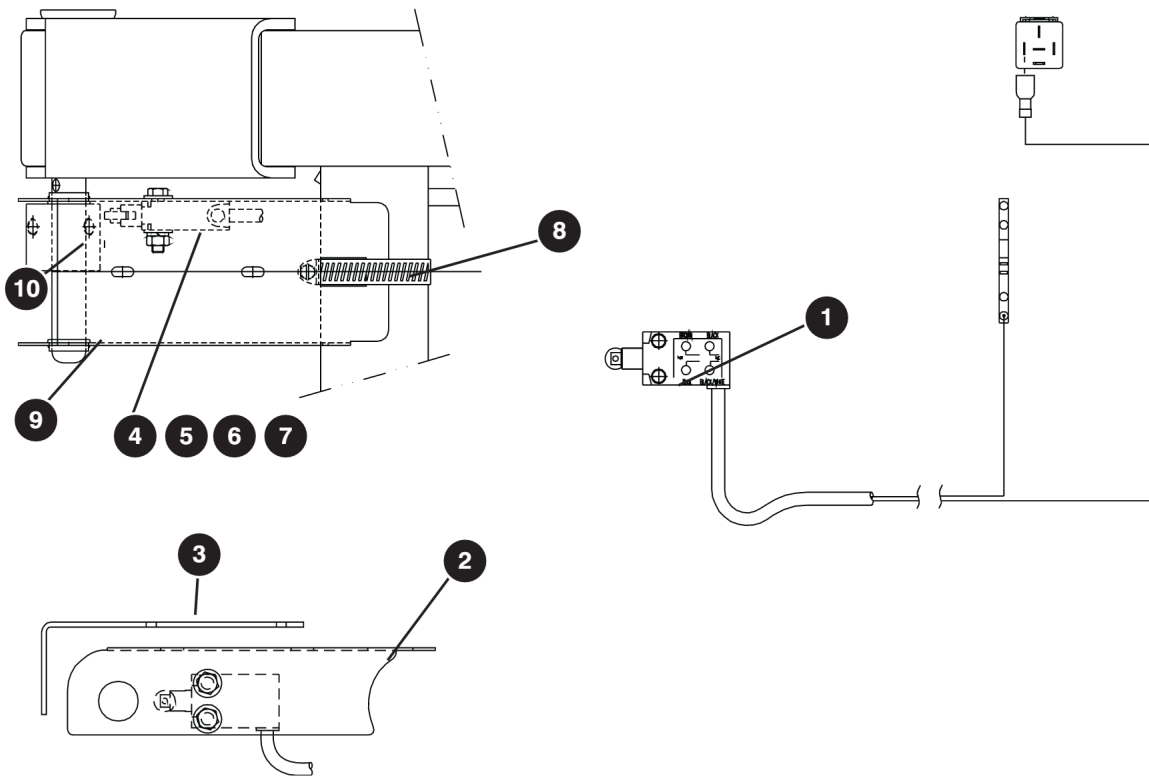
2.5 Scissor Arm Control Cable



M137356AA

Index No.	Skyjack Part No.	Qty.	Description
–	137356	1	CONTROL CABLE ASSEMBLY - SJ6826 RT
–	137363	1	CONTROL CABLE ASSEMBLY - SJ6832 RT
1	137223	1	• INSERT, Female (24 Pin)
2	121050	50	• FERULE, 16 GA (Black)
3	137227	1	• HOUSING, Surface mount (24 Pin)
4	132109	2	• CONNECTOR, Strain relief
5	137201	504"	• CABLE, Control (16/25)
6	137224	1	• INSERT, Male (24 Pin)
7	137225	1	• HOUSING, Side entry (24 Pin)

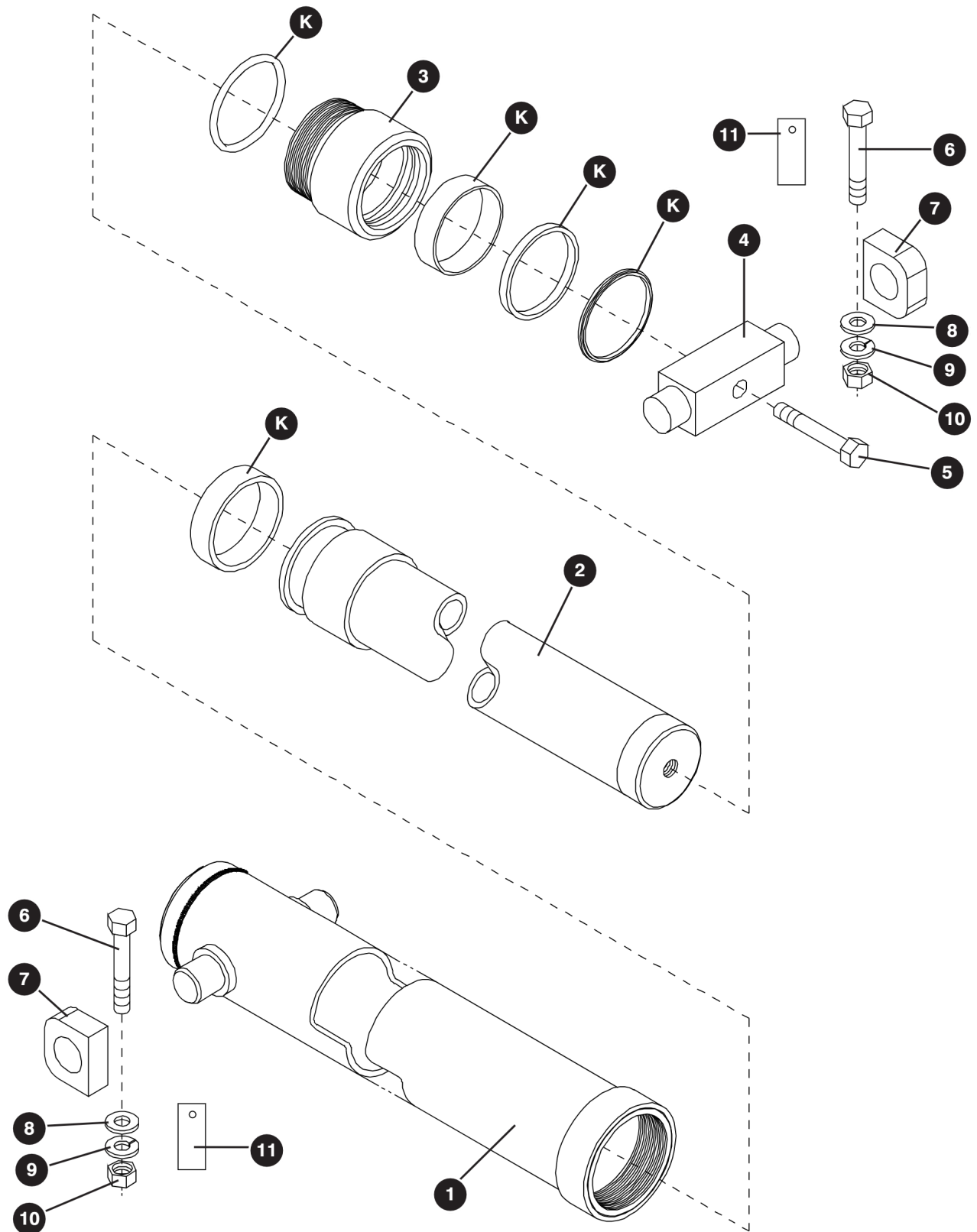
2.6 Limit Switch



M138073AA

Index No.	Skyjack Part No.	Qty.	Description
1	204234	1	• SWITCH, Limit
2	121867DG	1	• BRACKET, Limit switch
3	121868DG	1	• GUARD, Limit switch
4	104000	2	• WASHER, Lock (1/4")
5	103858	3	• BOLT, Hex head (1/4"-20 x 1.25", Gr. 5)
6	103995	4	• WASHER, Flat (1/4")
7	103980	2	• NUT, Hex (1/4"-20, Grade B)
-	138073	1	LIMIT SWITCH INSTALLATION ASSEMBLY
8	121869	1	• CLAMP, Worm gear (2.5")
9	121908	2	• BUSHING, Snap-in (3/4")
10	100967	1	• CAM, Limit switch

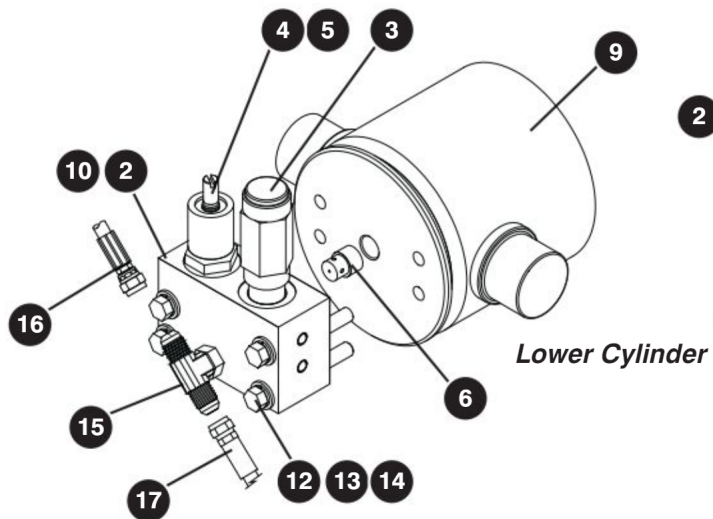
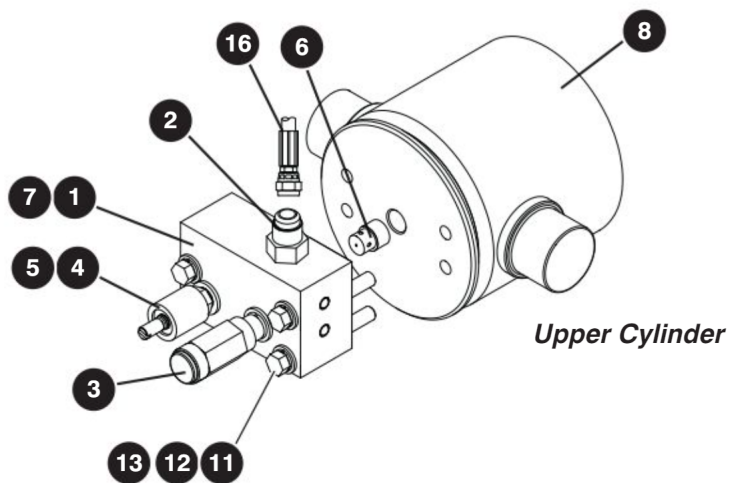
2.7 Lift Cylinder and Mounting Hardware



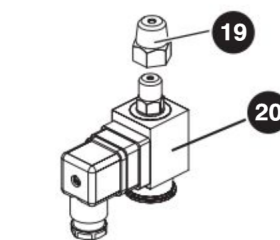
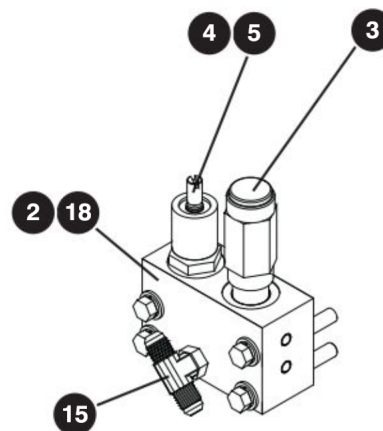
2.7 Lift Cylinder and Mounting Hardware

Index No.	Skyjack Part No.	Qty.	Description
–	162795DG	2	LIFT CYLINDER ASSEMBLY
1	162800DG	1	• WELDMENT, Barrel
2	160720	1	• ROD, Piston
3	162803	1	• GLAND, Front head
4	121668	1	• TRUNNION
5	105686	1	• BOLT (3/4"–16 x 3", Gr. 5)
6	103869	4	BOLT, Hex head (5/16"–18 x 4.5", Gr. 5)
7	123808	4	BEARING BLOCK ASSEMBLY
	101076	1	• BLOCK
	100904	1	• BUSHING
8	103996	4	WASHER, Flat (5/16" SAE)
9	103404	4	WASHER, Lock (5/16" NOM x 0.07)
10	100397	4	NUT, Hex head (5/16"–18, Grade B)
11	130337	AR	SHIM, Bearing block (16 GA) (If equipped)
	130387	AR	SHIM, Bearing block (18 GA) (If equipped)
	130388	AR	SHIM, Bearing block (22 GA) (If equipped)
K	121097	1	KIT, Seal repair

2.8 Holding Valve



*Holding Valve without
Pressure Switch*

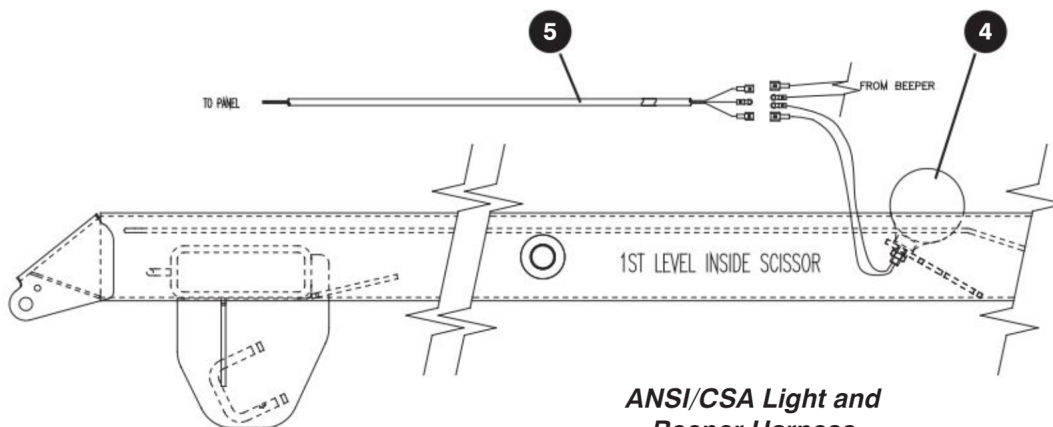
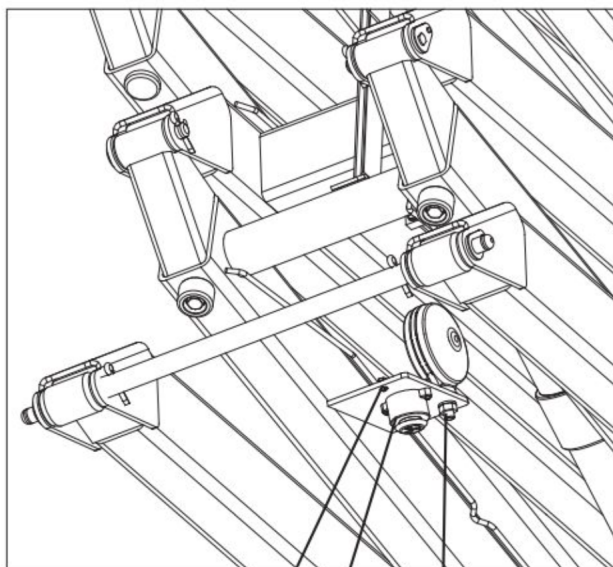


*Holding Valve with
Pressure Switch*

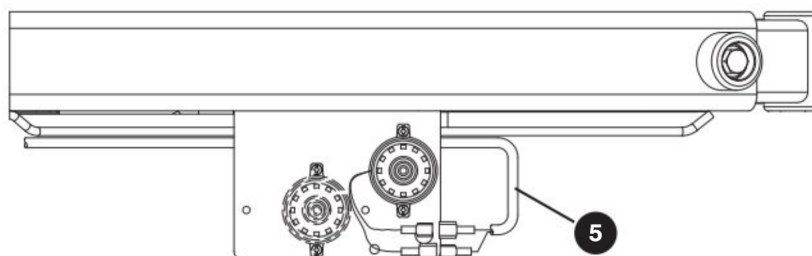
2.8 Holding Valve

Index No.	Skyjack Part No.	Qty.	Description
–	125915	1	HOLDING VALVE BLOCK ASSEMBLY
1	108778	1	• BLOCK, Holding valve (Upper)
	212915	1	• • BLOCK, Manifold
	108052	1	• • PLUG, Expander
2	103069	1	• FITTING, Straight (06 JICM – 06 ORBM)
3	106557	1	• VALVE, Relief
4	107269	1	• VALVE, Holding (N.C.)
5	104410	2	COIL, 12 V
6	105281	2	ORIFICE, One way
7	103403	2	SEAL, O–ring
8	(Ref.)	1	LIFT CYLINDER ASSEMBLY (Upper cylinder) (For components, refer to Section 2.7 Lift Cylinder and Mounting Hardware)
9	(Ref.)	1	LIFT CYLINDER ASSEMBLY (Lower cylinder) (For components, refer to Section 2.7 Lift Cylinder and Mounting Hardware)
10	106688	1	BLOCK, Holding valve (Lower) - ANSI/CSA
	111316	1	• BLOCK, Manifold
	108052	2	• PLUG, Expander
11	108429	4	BOLT, Hex head (5/16"–18 x 2.5")
12	103996	8	WASHER, Flat (5/16" SAE)
13	104637	8	WASHER, Lock (5/16" x 0.09)
14	103931	4	BOLT, Socket (5/16"–18 x 2", Gr. 5) - ANSI/CSA
	108429	4	BOLT, Socket (5/16"–18 x 2.5", Gr. 5) (Model 6832RT KC)
15	114579	1	FITTING, Tee (06 JICM – 06 JICM – 06 ORBM)
16	102635	1	HOSE ASSEMBLY (Upper lift cylinder to lower lift cylinder)
17	134684	1	HOSE ASSEMBLY (Lower lift cylinder to main manifold)
18	130443	1	BLOCK, Holding valve (Lower) (Model 6832RT KC)
	130442	1	• BLOCK, Manifold
	108052	2	• PLUG, Expander
19	137335	1	FITTING, Straight (04 NPTF – 04 ORBM) (Model 6832RT KC)
20	102863	1	SWITCH, Pressure (Model 6832RT KC)

2.9 Light and Beeper



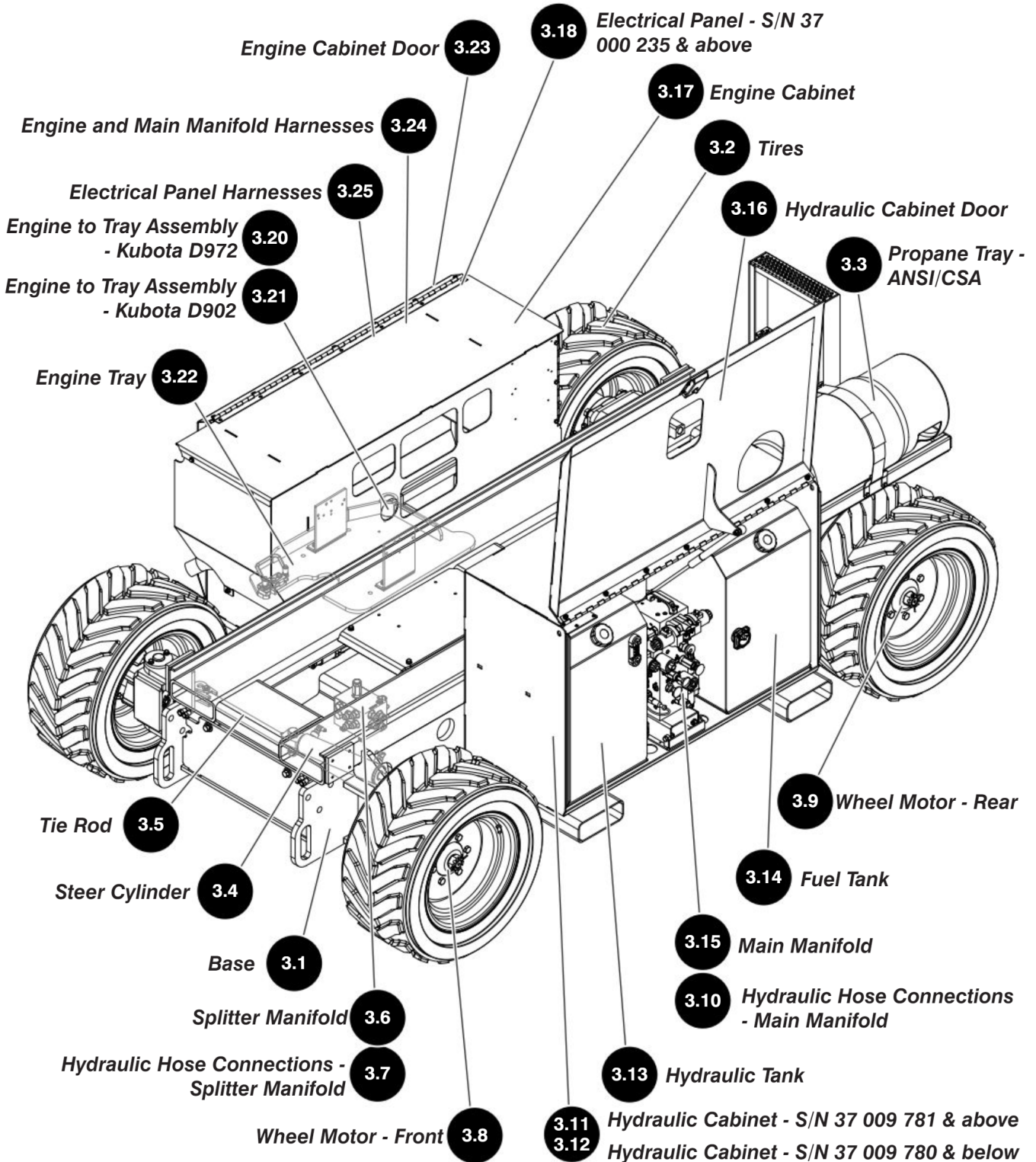
**ANSI/CSA Light and
Beeper Harness**



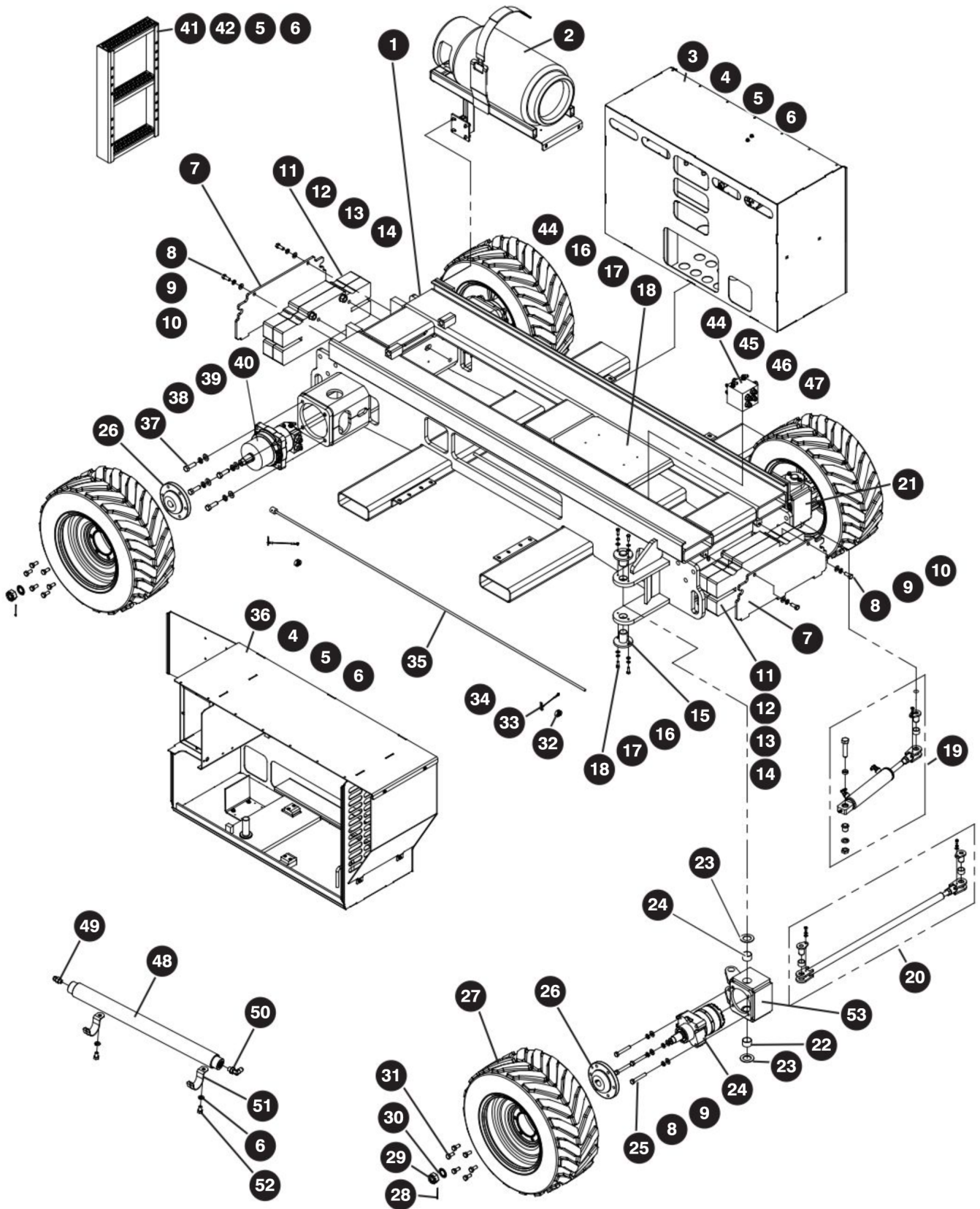
2.9 Light and Beeper

Index No.	Skyjack Part No.	Qty.	Description
A	-	1	LIGHT AND BEEPER ASSEMBLY - ANSI/CSA
B	-	1	LIGHT AND BEEPER ASSEMBLY - KC
1	103056	1	BEEPER (7.5 – 16 VDC), A
	170620	1	BEEPER, XL-600 (9 – 28 VDC), B
2	-	1	HARDWARE, Beeper
	112248	2	• SCREW, Round head machine (#8-32 x 1"), A
	103986	2	• NUT, Hex Head (#8-32), A
	112249	2	• WASHER, Lock (#8), A
	103991	2	• WASHER, Flat (#8), A
	196439	2	• SCREW, Socket head cap (#6-32 x 5/8"), B
	106099	2	• WASHER, Lock (#6), B
	103985	2	• NUT, Hex Head (#6-32), B
	191833	2	• WASHER, Flat (#6), B
3	-	1	HARDWARE, Wire mounting, A
	104698	1	• SCREW, Machine (#10-32 x 3/4"), A
	104003	1	• NUT, Machine (#10-32, Grade B)
	104185	1	• WASHER, Lock (#10)
	104694	1	• WASHER, Flat (#10)
4	138156	1	FLASHING LIGHT ASSEMBLY (if equipped)
	126677	1	• BEACON LIGHT ASSEMBLY
	121476	1	• • LIGHT, Beacon (12 V)
	146152	1	• • • BULB, Dual contact (12 V)
5	(Ref.)	1	HARNESS, Beeper (For components, refer to Section 3.25 Electrical Panel Harnesses)

Section 3 – Base Related Parts



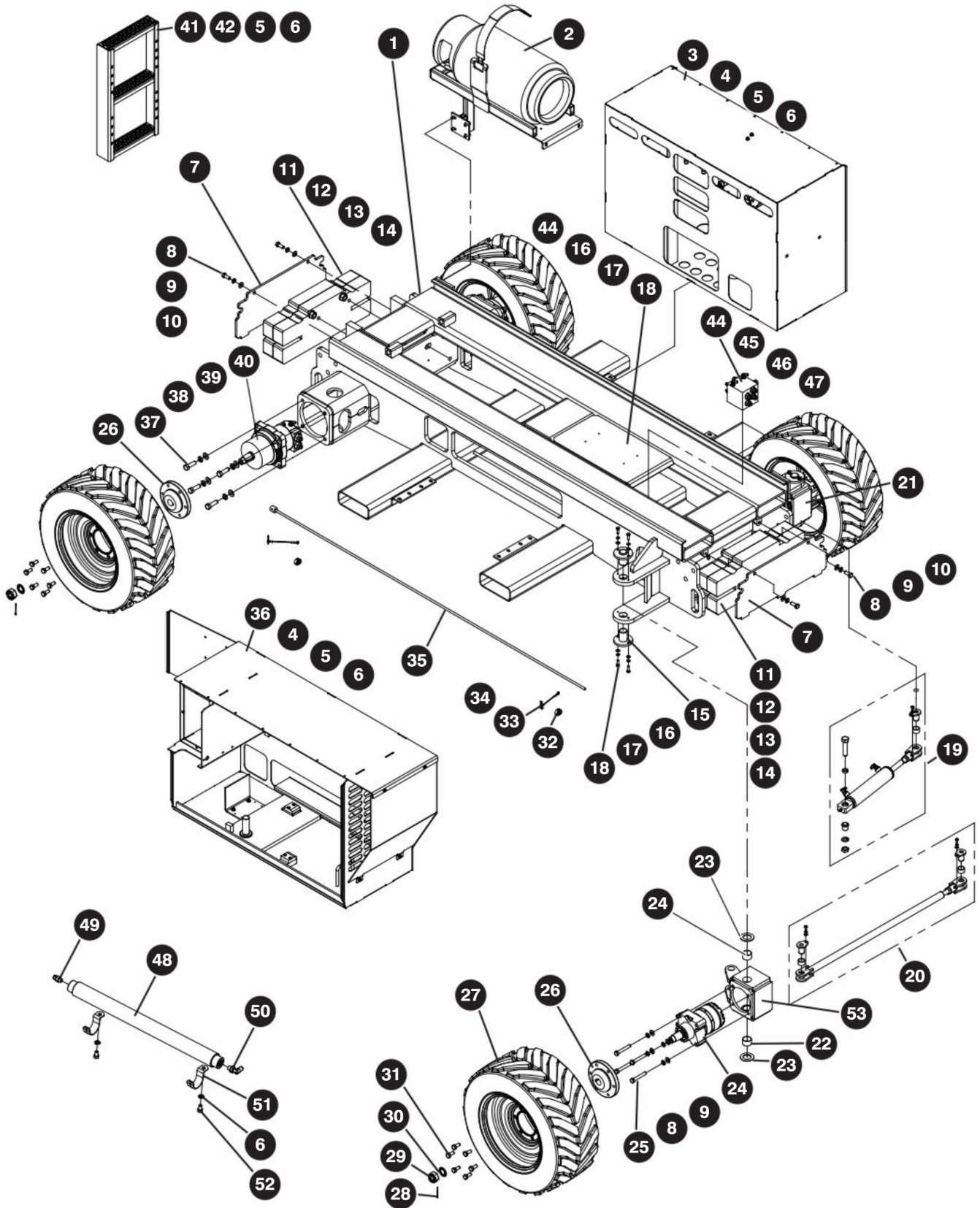
3.1 Base



3.1 Base

Index No.	Skyjack Part No.	Qty.	Description
1	168417DG	1	WELDMENT, Base
2	162011 (Ref.)	AR 1	• PLUG, Hole, locking plastic (5/16") PROPANE TRAY <i>(For components, refer to Section 3.3 Propane Tray - ANSI/CSA)</i>
3	(Ref.)	1	HYDRAULIC CABINET ASSEMBLY <i>(For components, refer to Section 3.11 Hydraulic Cabinet - S/N 37 009 781 & above)</i>
4	300437	8	BOLT, Hex head (3/8"-16 x 2.25", Gr. 5)
5	103472	12	WASHER Flat (3/8")
6	103999	14	WASHER, Lock (3/8")
7	137123DG	2	PLATE, Base front cover
8	103906	4	BOLT, Hex head (1/2"-13 x 1.75", Gr. 5)
9	104379	12	WASHER, Flat (1/2") - Hard
10	103470	12	WASHER, Lock (1/2", Gr. 5)
11	137396DG	2	WELDMENT, Base weight (If equipped) - ANSI/CSA
	157633DG	2	WELDMENT, Base weight (If equipped) - KC
12	112008	4	BOLT, Hex-head (3/4"-10 x 1.5" Gr. 8) - ANSI/CSA
	103873	4	BOLT, Hex-head (3/8"-16 x 2.25" Gr. 8) - KC
13	104002	4	WASHER, Lock (3/4") - ANSI/CSA
	104606	4	NUT, Hex head (3/8"-16, Gr. 5) - KC
14	702194	4	WASHER, Flat (3/4") - Hard - ANSI/CSA
	103472	8	WASHER, Flat (3/8") - KC
15	170656	4	PIN, Wheel pivot
16	103864	11	BOLT, Hex head (5/16"-18 x 1", Gr. 5)
17	103404	11	WASHER, Lock (5/16")
18	103996	11	WASHER, Flat (5/16")
19	(Ref.)	1	STEER CYLINDER ASSEMBLY <i>(For components, refer to Section 3.4 Steer Cylinder)</i>
20	(Ref.)	1	TIE ROD ASSEMBLY <i>(For components, refer to Section 3.5 Tie Rod)</i>
21	170659DG	1	WELDMENT, Front wheel motor housing - Left
22	170722	4	BUSHING, DU (1.75" x 1")
23	170661	4	BUSHING, (1.505" ID x 2.505" OD x 0.125")
24	(Ref.)	2	MOTOR, Front wheel <i>(For components, refer to Section 3.8 Wheel Motor - Front)</i>
25	103469	8	BOLT, Hex head (1/2"-13 x 3.25", Gr. 5)
26	134716	4	HUB, 6 ON 6 (1-1/2" shaft)
27	135905	2	WHEEL ASSEMBLY <i>(For components, refer to Section 3.2 Tires)</i>
28	140920	4	PIN, Cotter 5/32 x 2.5"
29	(Ref.)	4	NUT, Castle <i>(For components, refer to Section 3.8 Wheel Motor - Front)</i>

3.1 Base

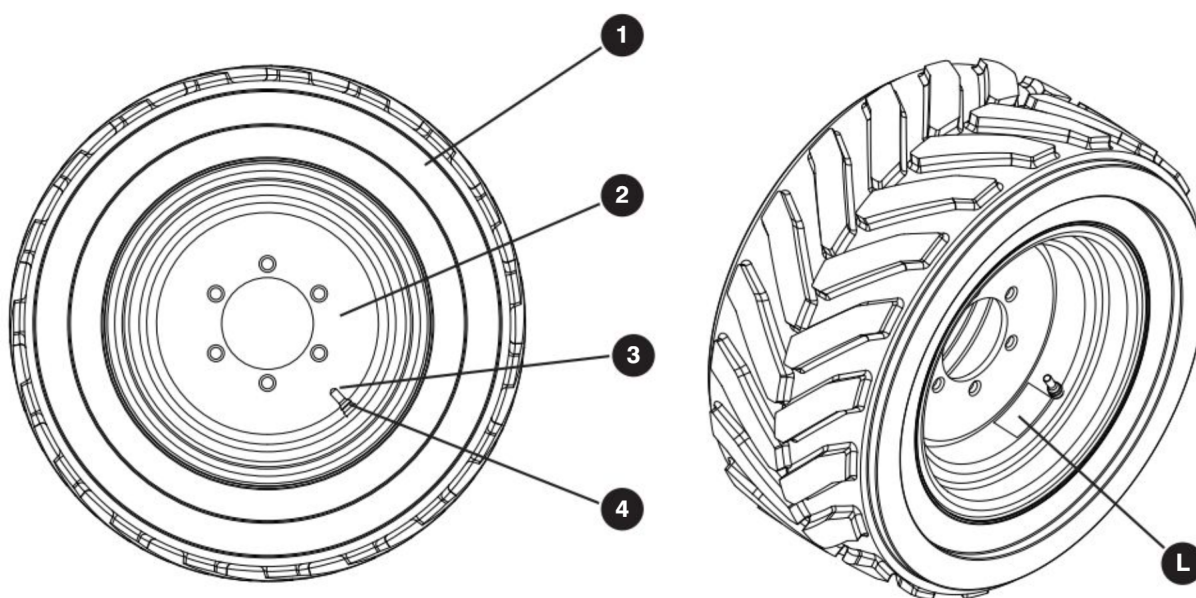


3.1 Base

Index No.	Skyjack Part No.	Qty.	Description
30	103969	4	WASHER, Internal tooth (1.125", zinc)
31	103199	24	BOLT, Wheel (1/2"-20 UNF x 1.5")
-	137491	1	EMERGENCY LOWERING ROD ASSEMBLY
32	119920	2	• CLIP, Vinyl coated
33	124160	2	• PIN ASSEMBLY, Locking
34	103964	2	• SCREW, Round head machine (#10-32 x 1/4")
35	132477	1	• ROD, Emergency lowering access
36	(Ref.)	1	ENGINE CABINET ASSEMBLY (For components, refer to Section 3.17 Engine Cabinet)
37	226109	8	BOLT, Hex head (5/8"-11 x 2.5", Gr. 5)
38	700782	8	WASHER, Flat (5/8") - Hard
39	103998	8	WASHER, Lock (5/8")
40	(Ref.)	2	MOTOR, Rear wheel (For components, refer to Section 3.9 Wheel Motor - Rear)
41	141798	1	WELDMENT, Ladder - SJ6826 RT
	141801	1	WELDMENT, Ladder - SJ6832 RT
42	101632	4	BOLT, Hex-head (3/8"-16 x 3/4", Gr. 5)
43	169339	1	PLATE, Inverter mounting
44	(Ref.)	1	SPLITTER MANIFOLD ASSEMBLY (For components, refer to Section 3.6 Splitter Manifold)
45	103856	AR	BOLT, Hex-head (1/4"-20 x 3/4", Gr. 5)
46	104000	AR	WASHER, Lock (1/4")
47	103995	AR	WASHER, Flat (1/4")
48	107752DG	1	CUSHION CYLINDER
49	103069	1	FITTING, Straight (06 JICM - 06 ORBM)
50	114578	1	FITTING, Elbow 90° (06 JICM - 06 ORBM)
51	102971	2	BRACKET, Conduit
52	111921	2	BOLT, Hex head (3/8"-16 x 1/2", Gr. 5)
53	213381DG	1	WELDMENT, Front wheel motor housing - Right

3.2 Tires

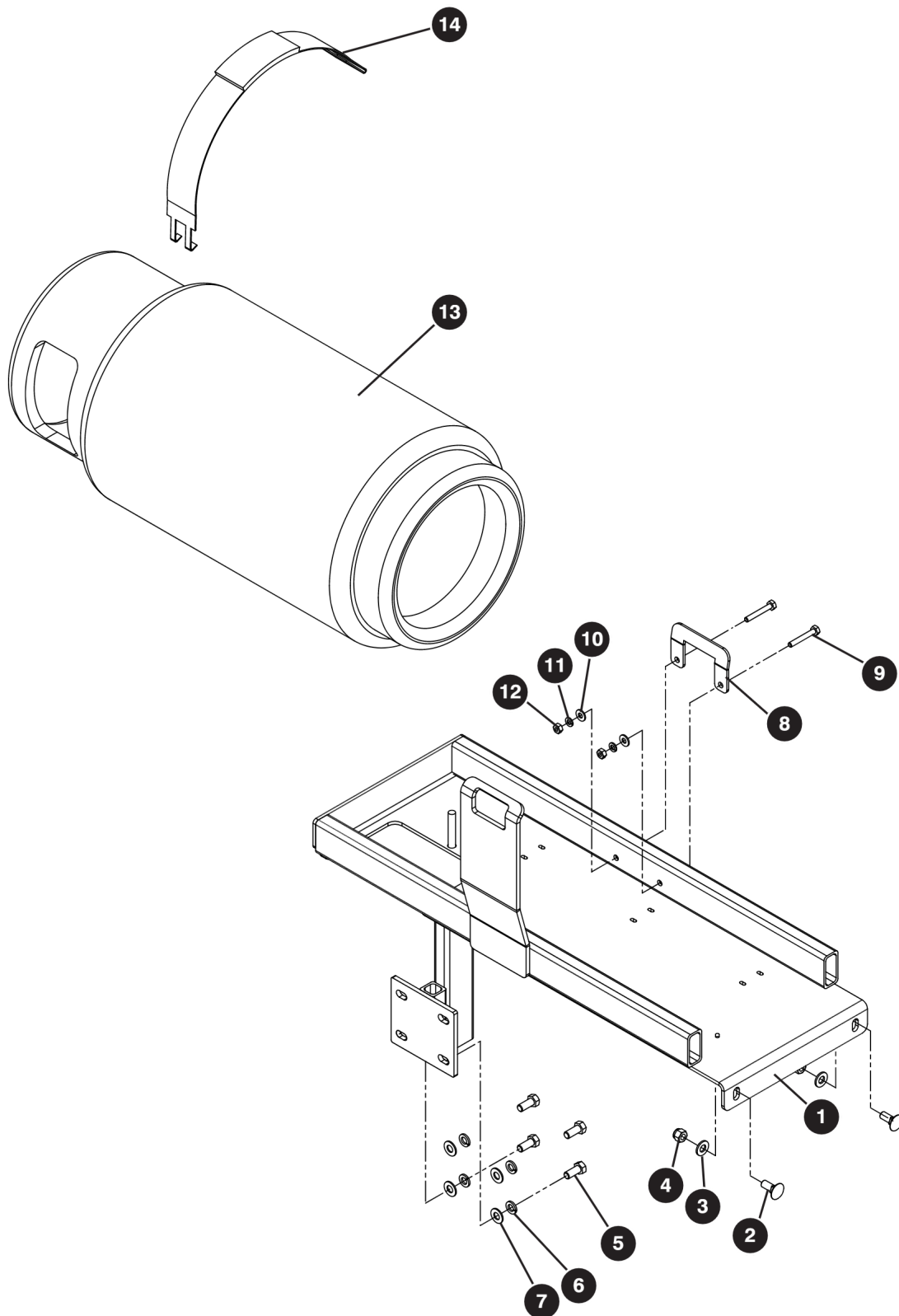
DO NOT Intermix tires of different types on one aerial platform. Use same type of tires supplied originally.



3.2 Tires

Index No.	Skyjack Part No.	Qty.	Description
A	141734	1	WHEEL ASSEMBLY (OTR V-tread, 8 ply – air filled) - SJ6826 RT ANSI/CSA
	141735	2	• WHEEL, Air (left hand)
	141736	2	• WHEEL, Air (right hand)
B	167311	1	WHEEL ASSEMBLY (OTR V-tread, 8 ply – foam filled)
	167312	2	• WHEEL, Foam (left hand)
	167313	2	• WHEEL, Foam (right hand)
C	166010	1	WHEEL ASSEMBLY (OTR V-tread, 8 ply – foam filled non-marking)
	166011	2	• WHEEL, Foam non-marking (left hand)
	166012	2	• WHEEL, Foam non-marking (right hand)
D	147294	1	WHEEL ASSEMBLY (ITL – solid non-marking) - ANSI/CSA
	161918	4	• WHEEL ASSEMBLY, Solid non-marking
1	137212	1	TIRE, 8 ply, (26 x 12), A, B
	149663	1	TIRE, 8 ply, (22 x 16) non-marking, C
2	137214	1	RIM, 0.875 inset, A, B, C
3	141851	1	CAP, Valve stem, A, B, C
	141850	4	CAP, Valve stem, green (<i>if equipped with tire sealant option</i>), A
4	104088	1	VALVE, Wheel, A, B, C
-	139635	2.5 gal	TIRE SEALANT, Pneumatic (<i>if equipped with tire sealant option</i>), A
L	141848	4	LABEL, Tire sealant (<i>if equipped with tire sealant option</i>), A

3.3 Propane Tray - ANSI/CSA



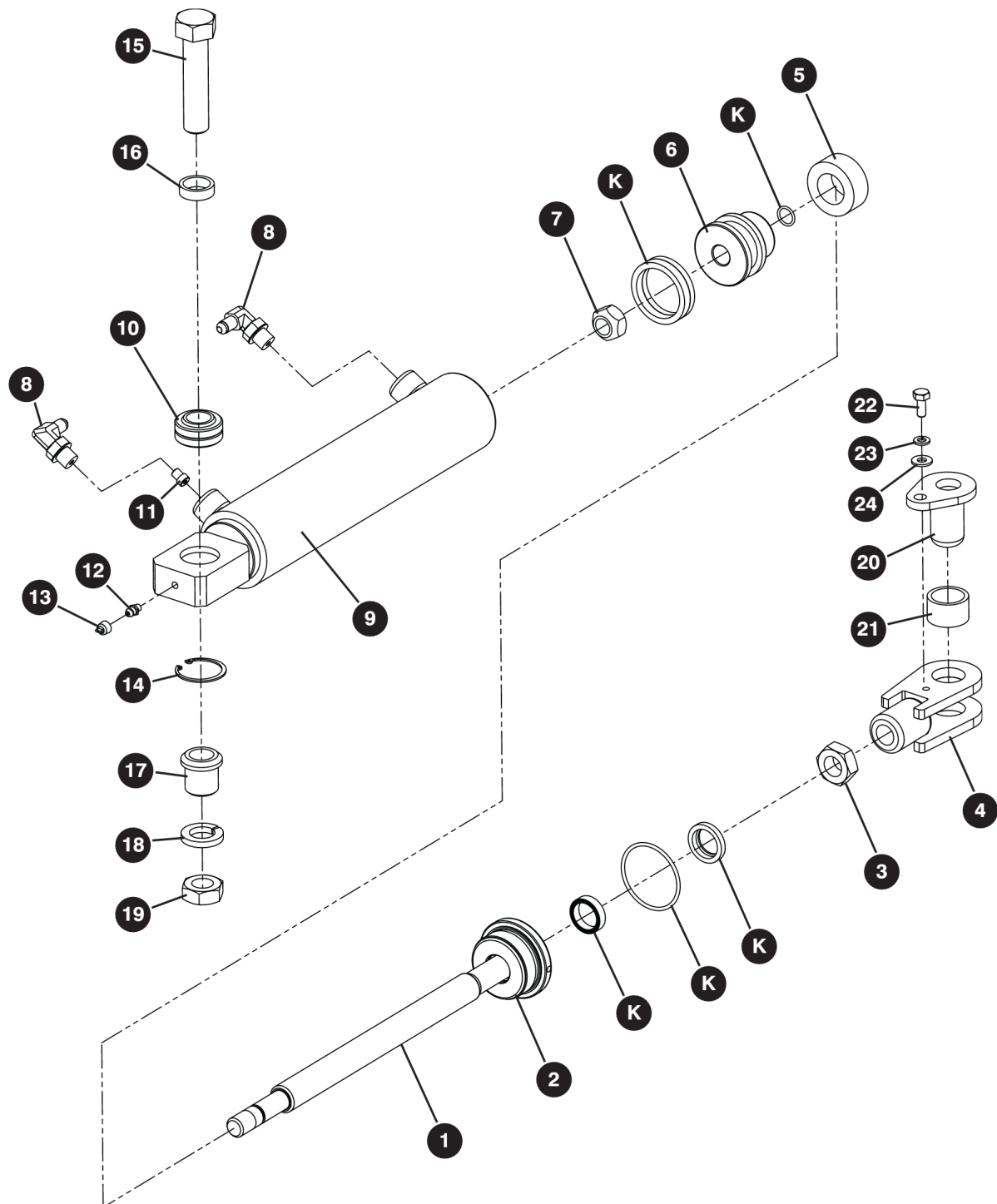
M137985AD

194370AD

3.3 Propane Tray - ANSI/CSA

Index No.	Skyjack Part No.	Qty.	Description
–	137985DG	1	PROPANE BOTTLE MOUNT ASSEMBLY - ANSI/CSA
1	137968DG	1	• WELDMENT, Propane bottle mount
2	125800	2	• BOLT, Carriage (3/8" x 1")
3	125959	2	• WASHER, Flat hard (3/8")
4	104606	2	• NUT, Hex nylon lock (3/8"-16, Gr. 5)
5	300437	4	• BOLT, Hex head (3/8"-16 x 7/8", Gr. 5)
6	103999	4	• WASHER, Lock (3/8")
7	103472	4	• WASHER, Flat (3/8")
8	137814DG	1	• PLATE BRACKET, Propane tank strap
9	103860	2	• BOLT, Hex head (1/4"-20 x 1.75", Gr. 5)
10	103995	4	• WASHER, Flat (1/4")
11	104000	2	• WASHER, Lock (1/4")
12	103980	2	• NUT, Hex head (1/4"-20, Gr. 5)
13	145976	1	• TANK, Propane
14	103020	1	• STRAP, Propane tank (Set of 2)

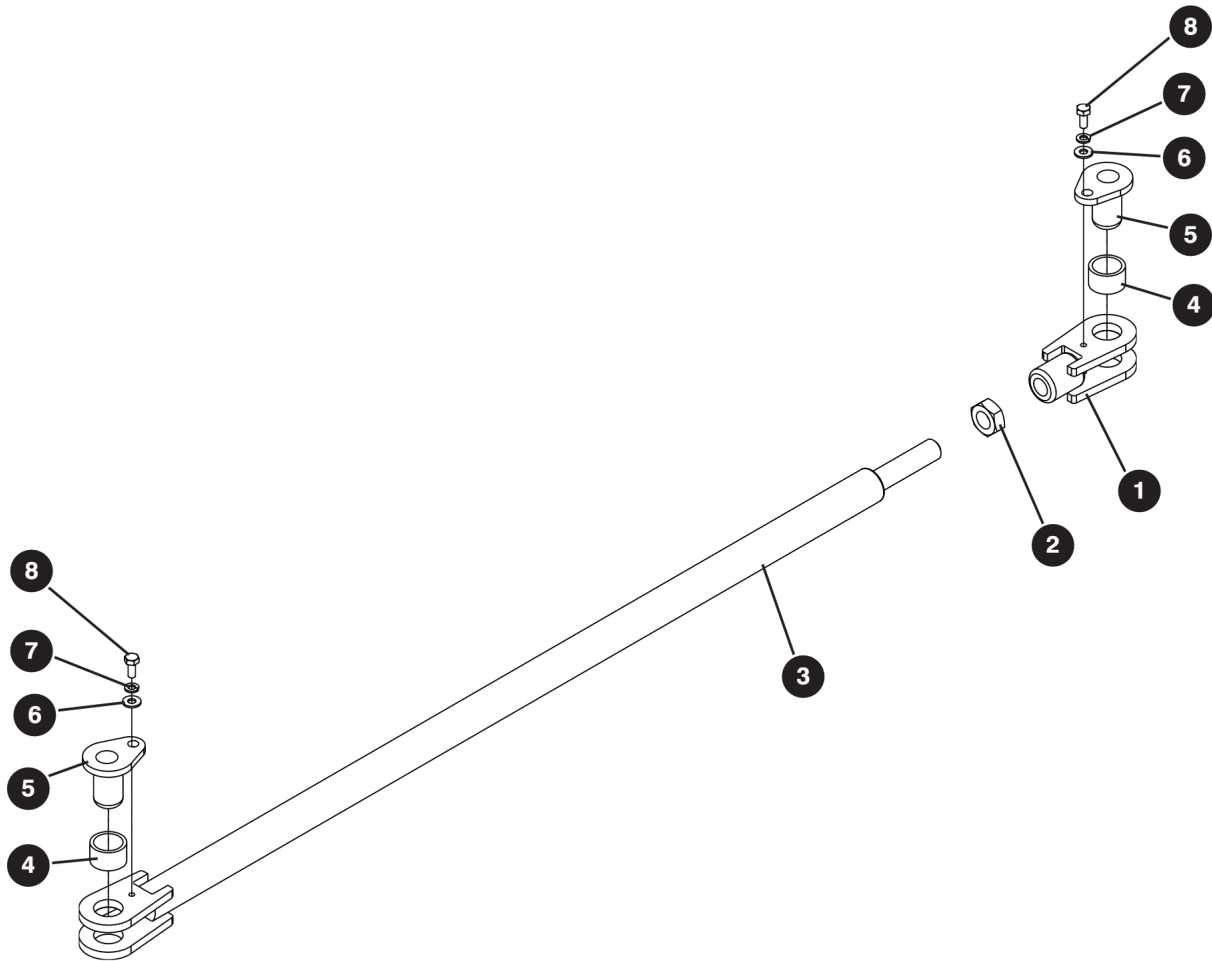
3.4 Steer Cylinder



3.4 Steer Cylinder

Index No.	Skyjack Part No.	Qty.	Description
–	135896DG	–	CYLINDER ASSEMBLY, Steer
1	136477	1	• ROD, Piston
2	120401	1	• GLAND, Steer cylinder (Universal)
3	100252	1	• NUT, Hex head jam (3/4"–10, Gr. 5)
4	135895	1	• END, Cylinder rod (Female)
5	136479	1	• SPACER
6	120633	1	• PISTON, Steer cylinder (Universal)
7	103830	1	• NUT, Crownlock (5/8"–11, Grade C)
8	129127	2	• FITTING, Hydraulic elbow
9	120404DG	1	• WELDMENT, Cylinder barrel
10	102025	1	• BEARING, Spherical
11	139679	1	• Orifice (0.375 OD X 0.55")
12	103513	1	• FITTING, Grease
13	132565	1	• CAP, Grease fitting
14	104114	1	• RING, Retaining
15	113489	1	BOLT, Hex head (3/4"–10 x 3.25", Gr. 8)
16	102028	1	SPACER, Steering clevis
17	113432	1	PIN, Steer cylinder
18	104002	1	WASHER, Lock (3/4")
19	100252	1	NUT, Hex head jam (3/4"–10, Gr. 5)
20	136519	1	PIN, Tie rod/steer cylinder
21	137811	1	BUSHING, Housing (1" diameter x 3/4")
22	103892	1	BOLT, Hex head (1/4"–20 x 5/8", Gr. 5)
23	104000	1	WASHER, Lock (1/4")
24	103995	1	WASHER, Flat (1/4")
K	113443	1	KIT, Seal Repair

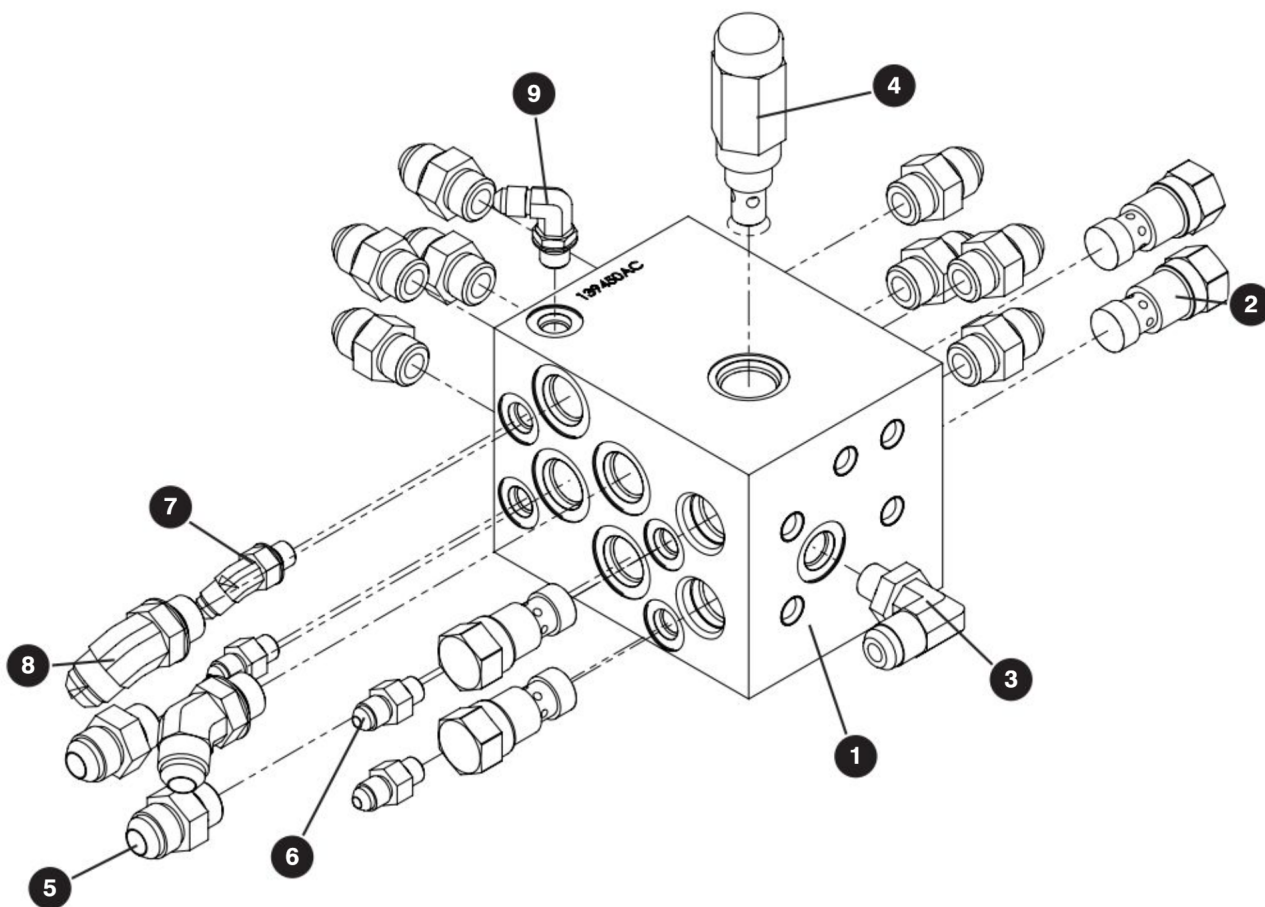
3.5 Tie Rod



M137491AA_1

Index No.	Skyjack Part No.	Qty.	Description
–	135911	1	TIE ROD ASSEMBLY
1	142173DG	1	• TIE ROD end (Female end)
2	107947DG	1	• NUT, Hex head jam (1–14, Gr. 5)
3	135894DG	1	• TIE ROD
4	137811	3	BUSHING, Housing (1" diameter x 3/4")
5	136519	2	PIN, Tie rod/steer cylinder
6	103995	2	WASHER, Flat (1/4")
7	104000	2	WASHER, Lock (1/4")
8	103892	2	BOLT, Hex-head (1/4"–20 x 5/8", Gr. 5)

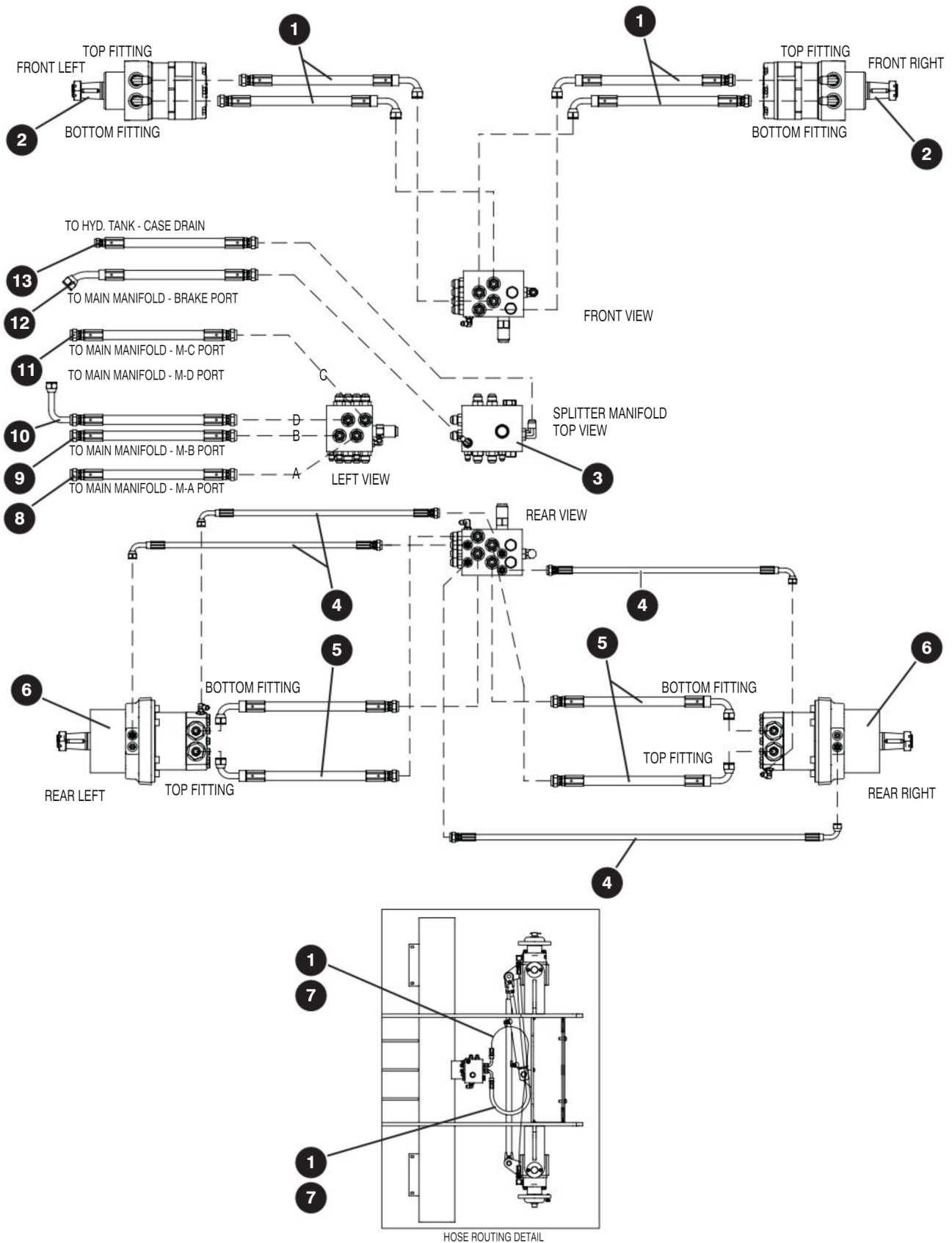
3.6 Splitter Manifold



M66754AA

Index No.	Skyjack Part No.	Qty.	Description
–	169508	1	SPLITTER MANIFOLD ASSEMBLY
1	139450	1	• MANIFOLD, Splitter (with plugs)
2	104624	4	• VALVE, Pilot Check
3	114582	1	• FITTING, Elbow (6–8 O–ring)
4	139683	1	• VALVE, Relief
5	102659	12	• FITTING, Straight (08 JICM – 08 ORBM)
6	126128	4	• FITTING, Straight (04 JICM – 04 ORBM)
7	131716	1	• FITTING, 45D (04 JICM – 04 ORBM)
8	139739	2	• FITTING, 45D (04 JICM – 08 ORBM)
9	125883	1	• FITTING, Elbow 90° (04 JICM – 04 ORBM)

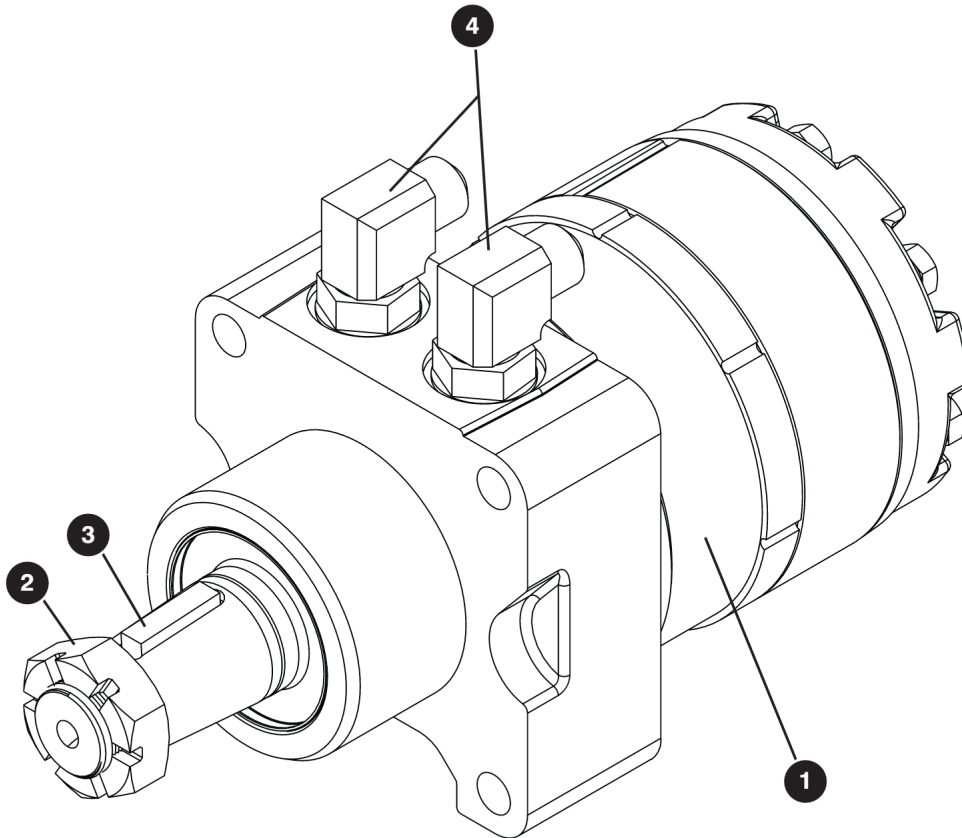
3.7 Hydraulic Hose Connections - Splitter Manifold



3.7 Hydraulic Hose Connections - Splitter Manifold

Index No.	Skyjack Part No.	Qty.	Description
1	140902	4	HOSE ASSEMBLY (1/2" diameter x 41")
2	(Ref.)	2	MOTOR, Wheel front (For components, refer to Section 3.8 Wheel Motor - Front)
3	(Ref.)	1	SPLITTER MANIFOLD ASSEMBLY (For components, refer to Section 3.6 Splitter Manifold)
4	140901	4	HOSE ASSEMBLY (1/4" diameter x 81")
5	140900	4	HOSE ASSEMBLY (1/2" diameter x 75")
6	(Ref.)	2	MOTOR, Wheel rear (For components, refer to Section 3.9 Wheel Motor - Rear)
7	140914	72"	SLEEVE, Nylon hose protector
8	140904	1	HOSE ASSEMBLY (1/2" diameter x 64")
9	140905	1	HOSE ASSEMBLY (1/2" diameter x 62")
10	140906	1	HOSE ASSEMBLY (1/2" diameter x 65")
11	110473	1	HOSE ASSEMBLY (1/2" diameter x 60")
12	140903	1	HOSE ASSEMBLY (1/4" diameter x 50")
13	137826	1	HOSE ASSEMBLY (1/4" diameter x 50")

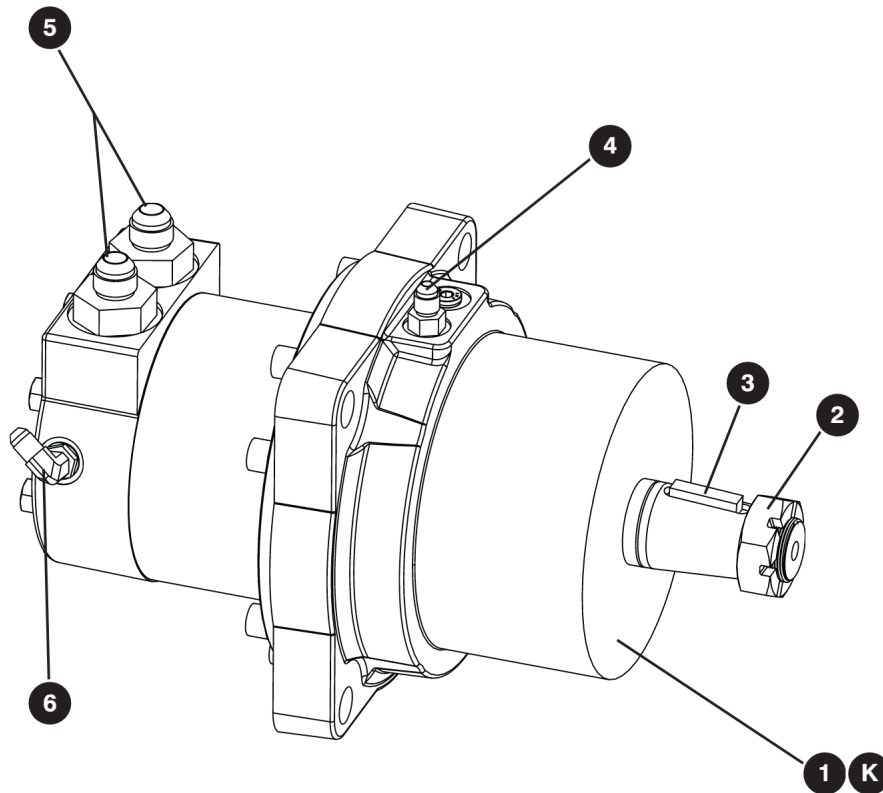
3.8 Wheel Motor - Front



M138039AC

Index No.	Skyjack Part No.	Qty.	Description
–	138039	2	FRONT WHEEL MOTOR ASSEMBLY
1	141656	1	MOTOR, Front wheel
2	139342	1	• NUT, Castle
3	139508	1	• KEY, Shaft
	139520	AR	• KIT, Seal repair
4	132256	2	FITTING, Elbow 90° (08 JICM – 10 ORBM)

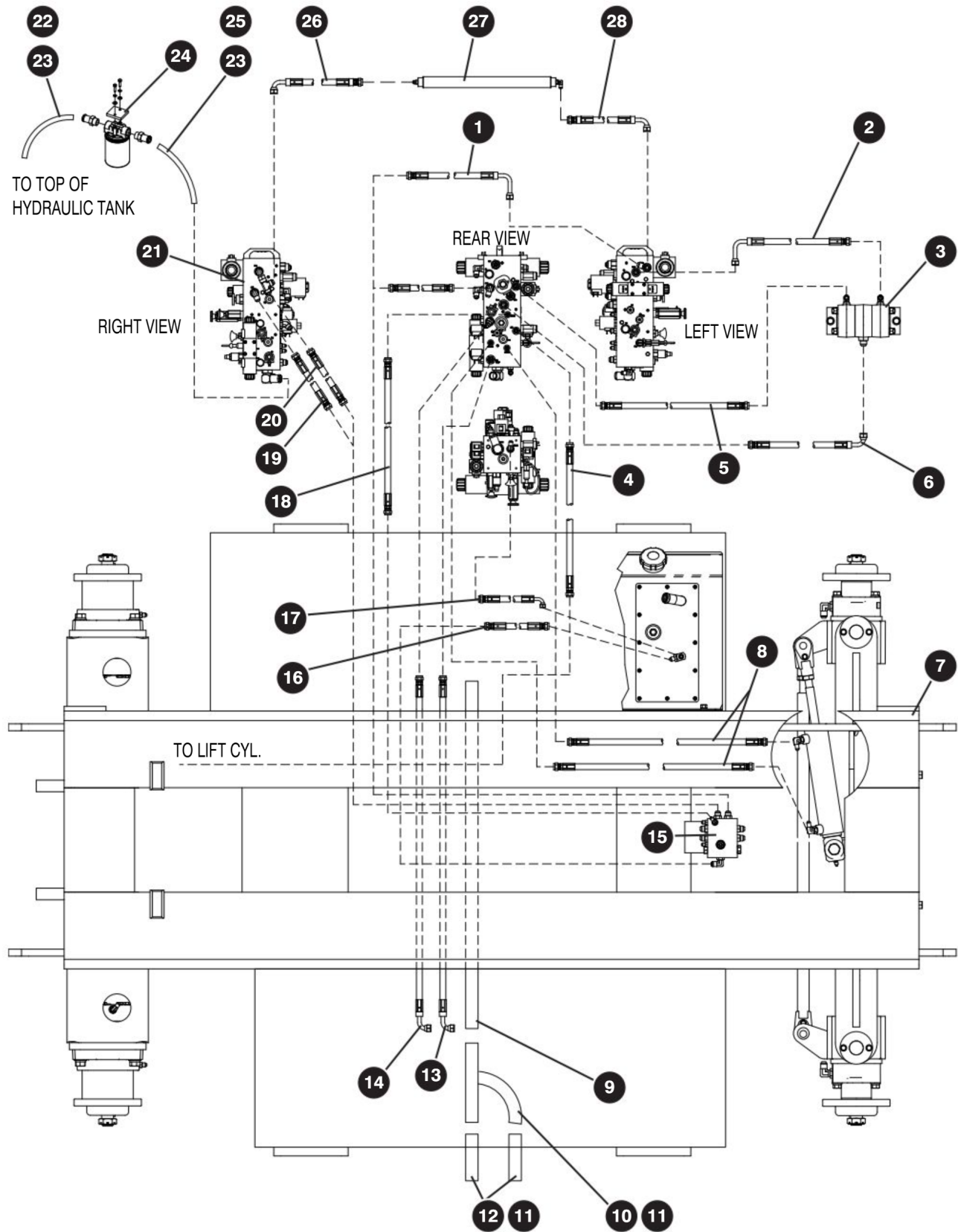
3.9 Wheel Motor - Rear



M138043AA

Index No.	Skyjack Part No.	Qty.	Description
—	138043	2	REAR WHEEL MOTOR ASSEMBLY
1	141657	1	MOTOR, Rear wheel
2	139342	1	• NUT, Castle
3	139508	1	• KEY, Shaft
4	126128	1	FITTING, Straight (04 JICM - 04 ORBM)
5	105446	2	FITTING, Straight (08 JICM - 12 ORBM)
6	125883	1	FITTING, Elbow 90° (04 JICM - 04 ORBM)
K	139542	1	KIT, Seal repair

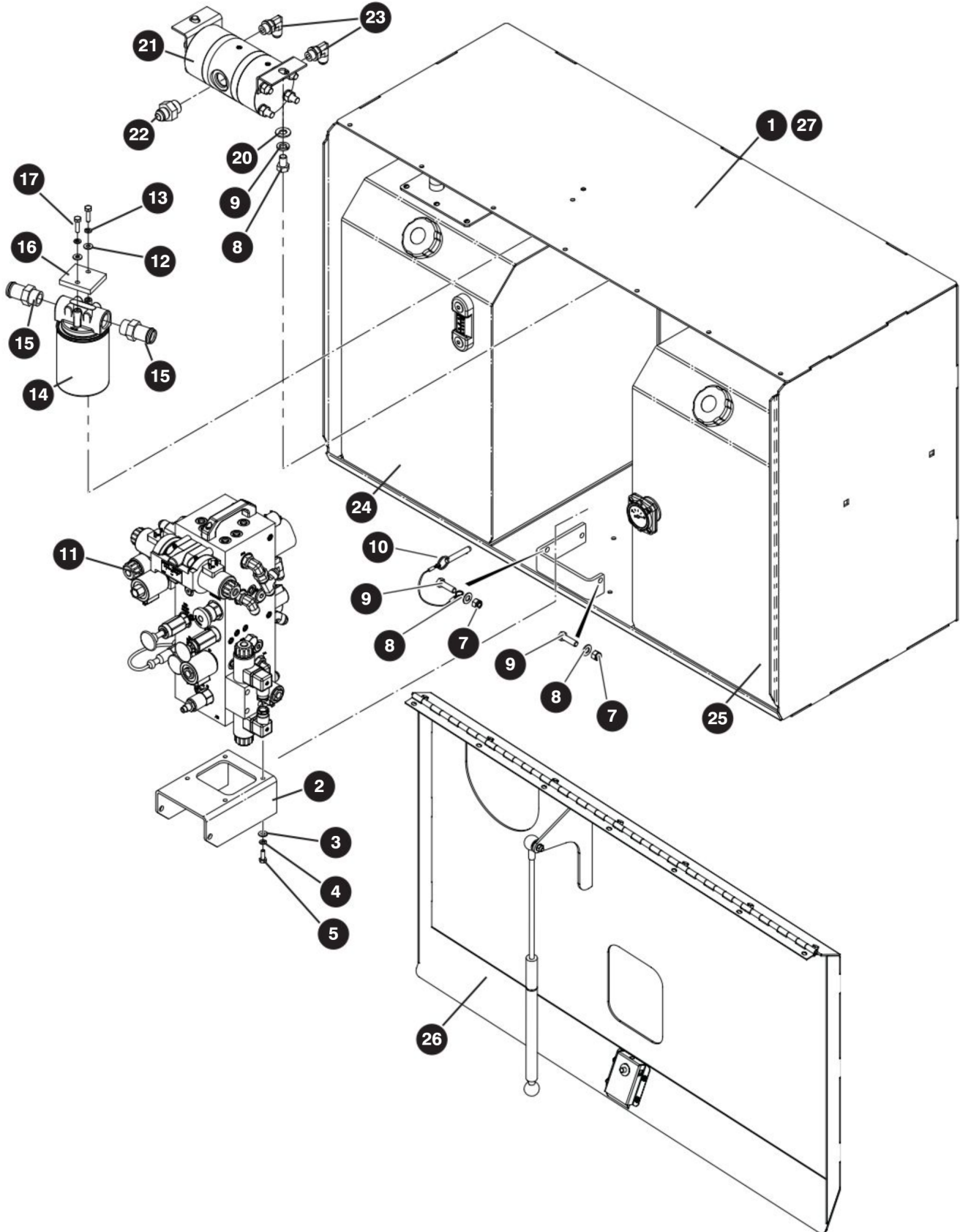
3.10 Hydraulic Hose Connections - Main Manifold



3.10 Hydraulic Hose Connections - Main Manifold

Index No.	Skyjack Part No.	Qty.	Description
1	114368	1	HOSE ASSEMBLY (1/2" diameter x 70")
2	137818	1	HOSE ASSEMBLY (1/2" diameter x 29")
3	(Ref.)	1	FLOW DIVIDER, Gear type (For components, refer to Section 3.11 Hydraulic Cabinet - S/N 37 009 781 & above) (For components, refer to Section 3.12 Hydraulic Cabinet - S/N 37 009 780 & below)
4	(Ref.)	1	HOSE ASSEMBLY (3/8" diameter x 84") (For components, refer to Section 2.8 Holding Valve)
5	137819	1	HOSE ASSEMBLY (1/2" diameter x 24")
6	137831	1	HOSE ASSEMBLY (5/8" diameter x 20")
7	(Ref.)	1	BASE ASSEMBLY (For components, refer to Section 3.1 Base)
8	137820	2	HOSE ASSEMBLY (1/4" diameter x 68")
9	137821	1	HOSE, Suction (1-1/4" diameter x 44")
10	137204	1	TUBE, Suction
11	114326	6	CLAMP, Hose (1.58")
12	133654	2	HOSE, Tank truck (1.25" diameter x 3.5")
13	137816	1	HOSE ASSEMBLY (1/2" diameter x 77")
14	102463	1	HOSE ASSEMBLY (1/2" diameter x 84")
15	(Ref.)	1	SPLITTER MANIFOLD ASSEMBLY (For components, refer to Section 3.6 Splitter Manifold)
16	140906	1	HOSE ASSEMBLY (1/2" diameter x 65")
17	137832	1	HOSE ASSEMBLY (3/8" diameter x 35")
18	140903	1	HOSE ASSEMBLY (1/4" diameter x 50")
19	140905	1	HOSE ASSEMBLY (1/2" diameter x 62")
20	140904	1	HOSE ASSEMBLY (1/2" diameter x 64")
21	(Ref.)	1	MAIN MANIFOLD ASSEMBLY (For components, refer to Section 3.15 Main Manifold)
22	136454	1	HOSE ASSEMBLY (1" diameter x 11")
23	103320	AR	CLAMP, Gear (#16)
24	(Ref.)	1	FILTER ASSEMBLY (For components, refer to Section 3.11 Hydraulic Cabinet - S/N 37 009 781 & above) (For components, refer to Section 3.12 Hydraulic Cabinet - S/N 37 009 780 & below)
25	137485	1	HOSE ASSEMBLY (1" diameter x 41.5")
26	143615	1	HOSE ASSEMBLY (3/8" diameter x 51")
27	(Ref.)	1	CYLINDER, Cushion (For components, refer to Section 3.1 Base)
28	143616	1	HOSE ASSEMBLY (3/8" diameter x 72")

3.11 Hydraulic Cabinet - S/N 37 009 781 & above



M207130AA_M138041AA

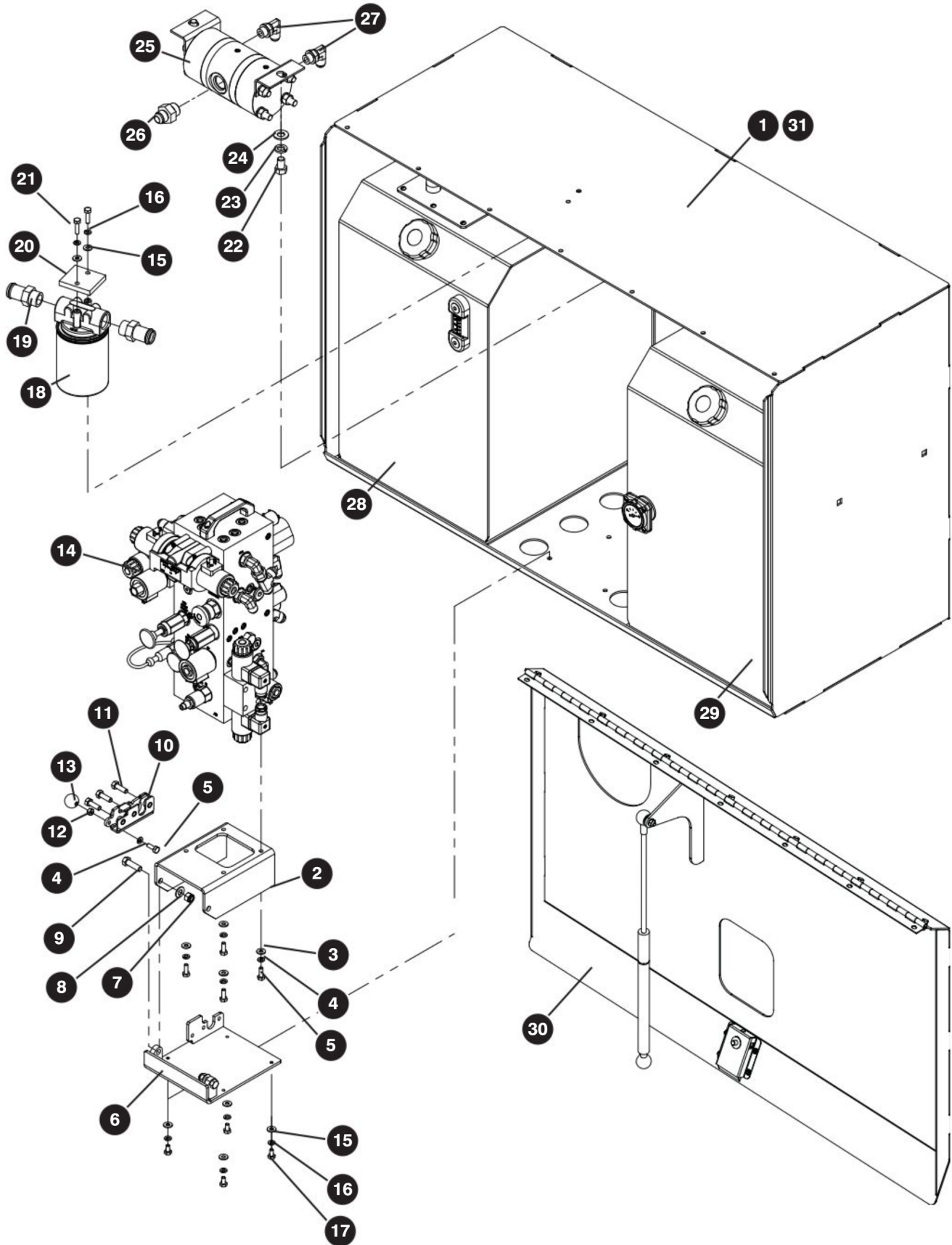
194370AD

SJ6826 RT, SJ6832 RT

3.11 Hydraulic Cabinet - S/N 37 009 781 & above

Index No.	Skyjack Part No.	Qty.	Description
-	-	1	HYDRAULIC CABINET ASSEMBLY – S/N 37009781 and above
1	207118	1	CABINET, Hydraulic
2	199846	1	BRACKET, Manifold Valve Base
3	103995	4	WASHER, Flat (1/4")
4	104000	4	WASHER, Lock (1/4")
5	103856	4	BOLT, Hex head (1/4"–20 x 0.75", Gr. 5)
7	104606	2	NUT, Hex nylon lock (3/8"–16, Gr. 5)
8	103472	2	WASHER, Flat (3/8")
9	101297	2	BOLT, Hex head (3/8"–16 x 1.25", Gr. 5)
10	124548	1	PIN, Quick release
11	(Ref.)	1	ASSEMBLY, MAIN MANIFOLD CONTROL VALVE (For components, refer to Section 3.15 Main Manifold)
12	103995	2	WASHER, Flat (1/4")
13	104000	2	WASHER, Lock (1/4")
-	136405	1	FILTER ASSEMBLY
-	136403	1	• HEAD, Filter
14	108628	1	• FILTER, Oil
15	112187	2	FITTING, Hose barb
16	137450DG	1	PLATE, Return filter mount
17	103857	2	BOLT , Hex head (1/4"–20 x 1", Gr. 5)
18	116997	2	BOLT , Hex head (1/2"–13 x 3/4", Gr. 5)
19	103470	2	WASHER, Lock (1/2")
20	104379	2	WASHER, Flat (1/2") - Hard
21	161944	1	FLOW DIVIDER, Gear type
	221386	1	• O-RING
22	137490	1	FITTING, Straight (10 JICM – 12 ORBM)
23	114583	2	FITTING, Elbow 90° (08 JICM – 08 ORBM)
24	(Ref.)	1	HYDRAULIC OIL TANK ASSEMBLY (For components, refer to Section 3.13 Hydraulic Tank)
25	(Ref.)	1	FUEL TANK ASSEMBLY (For components, refer to Section 3.14 Fuel Tank)
26	(Ref.)	1	DOOR, Hydraulic cabinet (For components, refer to Section 3.16 Hydraulic Cabinet Door)
27	-	1	GAS SPRING HARDWARE
	138026	1	BALL STUD, 13 mm dia (5/16"–18 x 0.625)
	103984	1	NUT, Hex head nylon lock (5/16"–18, Gr. 5)
	103996	4	WASHER, Flat (5/16")

3.12 Hydraulic Cabinet - S/N 37 009 780 & below



M135900AF-1

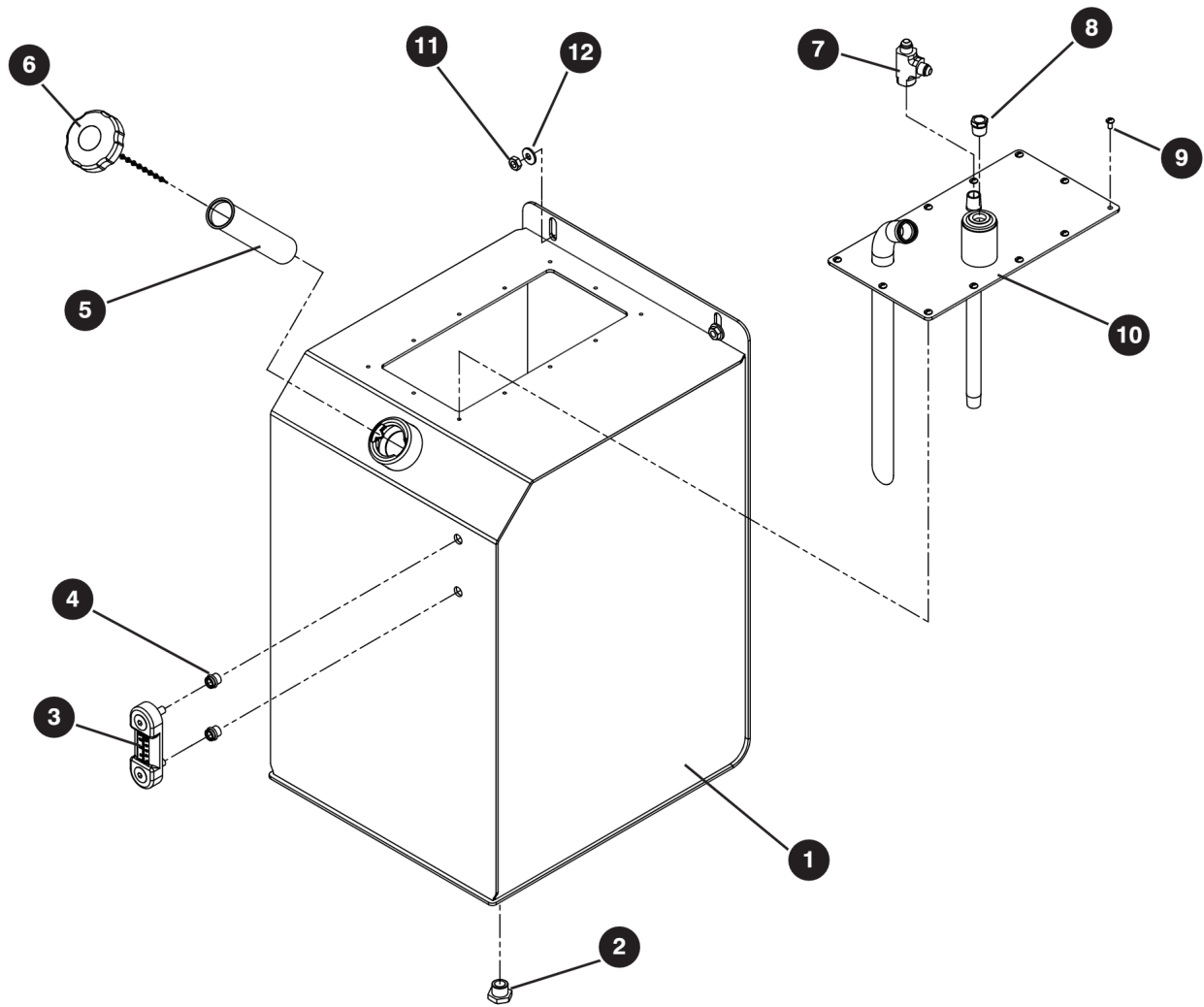
194370AD

SJ6826 RT, SJ6832 RT

3.12 Hydraulic Cabinet - S/N 37 009 780 & below

Index No.	Skyjack Part No.	Qty.	Description
-	-	1	HYDRAULIC CABINET ASSEMBLY – S/N 37009780 and below
1	171638DG	1	CABINET, Hydraulic
2	137250DG	1	PLATE, Manifold base
3	103995	4	WASHER, Flat (1/4")
4	104000	5	WASHER, Lock (1/4")
5	103856	5	BOLT, Hex head (1/4"-20 x 0.75", Gr. 5)
6	137250	1	WELDMENT, Mounting plate
7	104606	2	NUT, Hex nylon lock (3/8"-16, Gr. 5)
8	103472	2	WASHER, Flat (3/8")
9	101297	2	BOLT, Hex head (3/8"-16 x 1.25", Gr. 5)
10	112308	1	LATCH, Rotary (Left hand)
11	103864	3	BOLT, Hex head (5/16"-18 x 1.00", Gr. 5)
12	103980	1	NUT, Hex head (1/4"-20, Gr. 5)
13	111534	1	KNOB, Latch
14	(Ref.)	-	ASSEMBLY, MAIN MANIFOLD VALVE (For components, refer to Section 3.15 Main Manifold)
15	103995	6	WASHER, Flat (1/4")
16	104000	6	WASHER, Lock (1/4")
17	103855	4	BOLT, Hex head (1/4"-20 x 1/2", Gr. 5)
	136405	1	FILTER ASSEMBLY
	136403	1	• HEAD, Filter
18	108628	1	• FILTER, Element
19	112187	2	FITTING, Hose barb
20	137450DG	1	PLATE, Return filter mount
21	103857	2	BOLT , Hex head (1/4"-20 x 1", Gr. 5)
22	116997	2	BOLT , Hex head (1/2"-13 x 3/4", Gr. 5)
23	103470	2	WASHER, Lock (1/2")
24	104379	2	WASHER, Flat (1/2") - Hard
25	161944	1	FLOW DIVIDER, Gear type
	221386	1	• O-RING
26	137490	1	FITTING, Straight (10 JICM – 12 ORBM)
27	114583	2	FITTING, Elbow 90° (08 JICM – 08 ORBM)
28	(Ref.)	-	HYDRAULIC OIL TANK ASSEMBLY (For components, refer to Section 3.13 Hydraulic Tank)
29	(Ref.)	-	FUEL TANK ASSEMBLY (For components, refer to Section 3.14 Fuel Tank)
30	(Ref.)	-	DOOR, Hydraulic cabinet (For components, refer to Section 3.16 Hydraulic Cabinet Door)
31	-	1	GAS SPRING HARDWARE
	138026	1	BALL STUD, 13 mm dia (5/16"-18 x 0.625)
	103984	1	NUT, Hex head nylon lock (5/16"-18, Gr. 5)
	103996	4	WASHER, Flat (5/16")

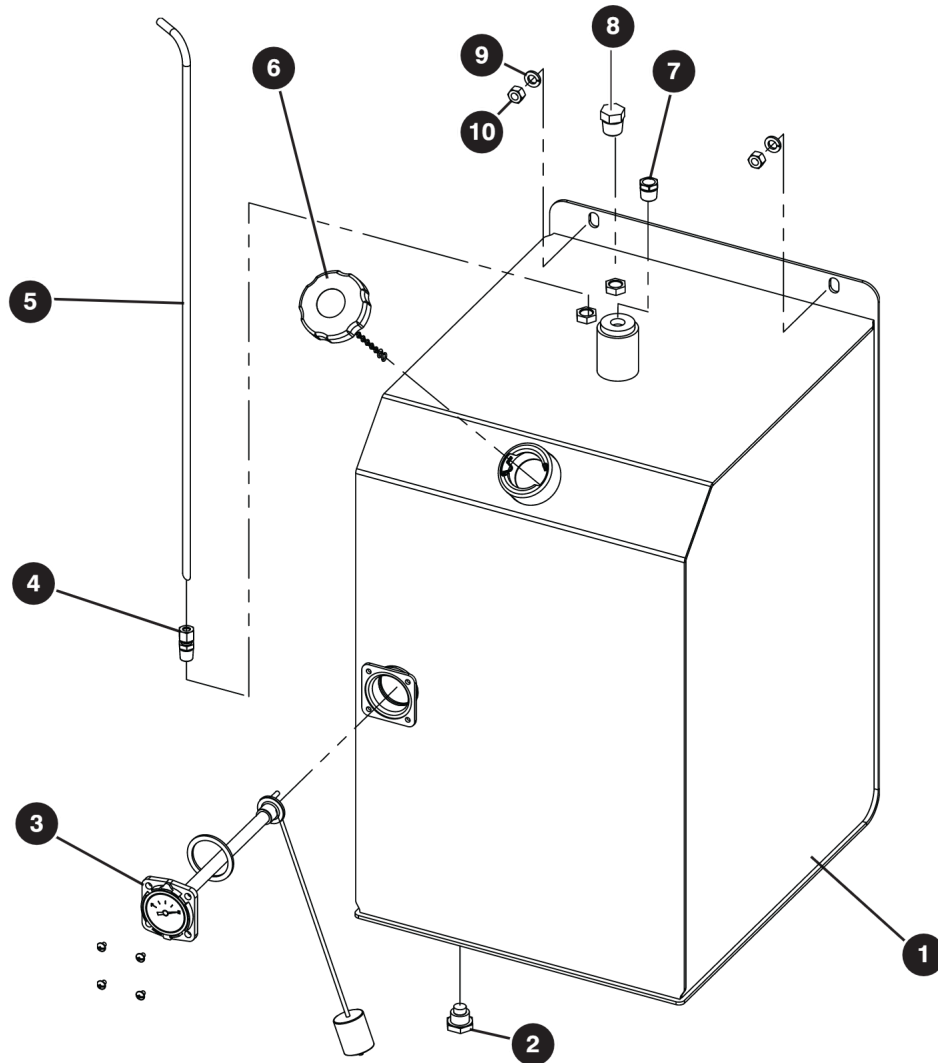
3.13 Hydraulic Tank



M136273AG

Index No.	Skyjack Part No.	Qty.	Description
–	136273DG	1	OIL TANK ASSEMBLY
1	136259DG	1	• TANK, Oil
2	117701	1	• FITTING, Magnetic drain plug
3	103236	1	• GAUGE, Oil level/temp
4	124311	2	• • INSERT, Threaded
5	132128	1	• SCREEN
6	136369	1	• CAP, Filler non-vented assembly
7	139468	1	• FITTING, Tee (06MJ – 06PF – 06MJ)
8	137540	1	• VENT, Breather
9	103962	12	• BOLT, Machine head (#10–32 x 1/2")
10	136262DG	1	• LID, Oil tank
11	104606	2	NUT, Hex lock nylon insert (3/8"–16, Gr. 5)
12	125959	2	WASHER, Flat hardened (3/8")

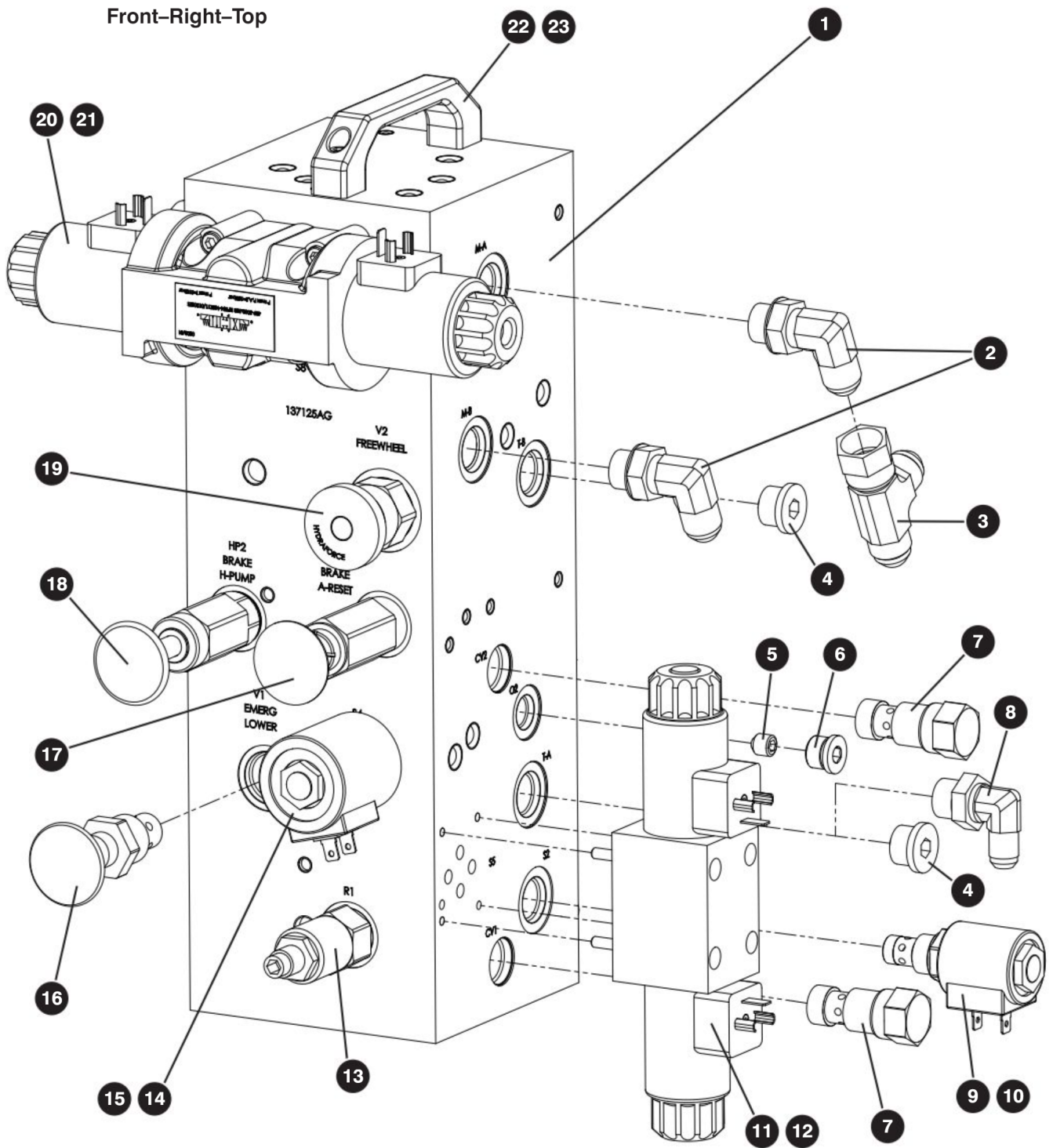
3.14 Fuel Tank



M136272AE

Index No.	Skyjack Part No.	Qty.	Description
–	136272DG	1	FUEL TANK ASSEMBLY
1	136258DG	1	• TANK, Fuel
2	117701	1	• THREAD STRAIGHT MAGNETIC PLUG ASSEMBLY
	149606	1	• • PLUG, Thread straight magnetic
	120190	1	• • SEAL, Thread straight magnetic plug
3	136427	1	• GAUGE, Level
4	103155	1	• FITTING, Brass tank (#T68–5B)
5	136289	1	• TUBE, Suction
6	136369	1	• CAP, Filler non–vented assembly
7	137540	1	• VENT, Breather (Kubota DF972)
	139171	1	• PLUG, Hollow Hex (06NPT) (Kubota D902)
8	102932	1	• PLUG, Pressure
9	125959	2	WASHER, Flat hardened (3/8")
10	104606	2	NUT, Hex lock nylon insert (3/8"–16, Gr. 5)

3.15 Main Manifold



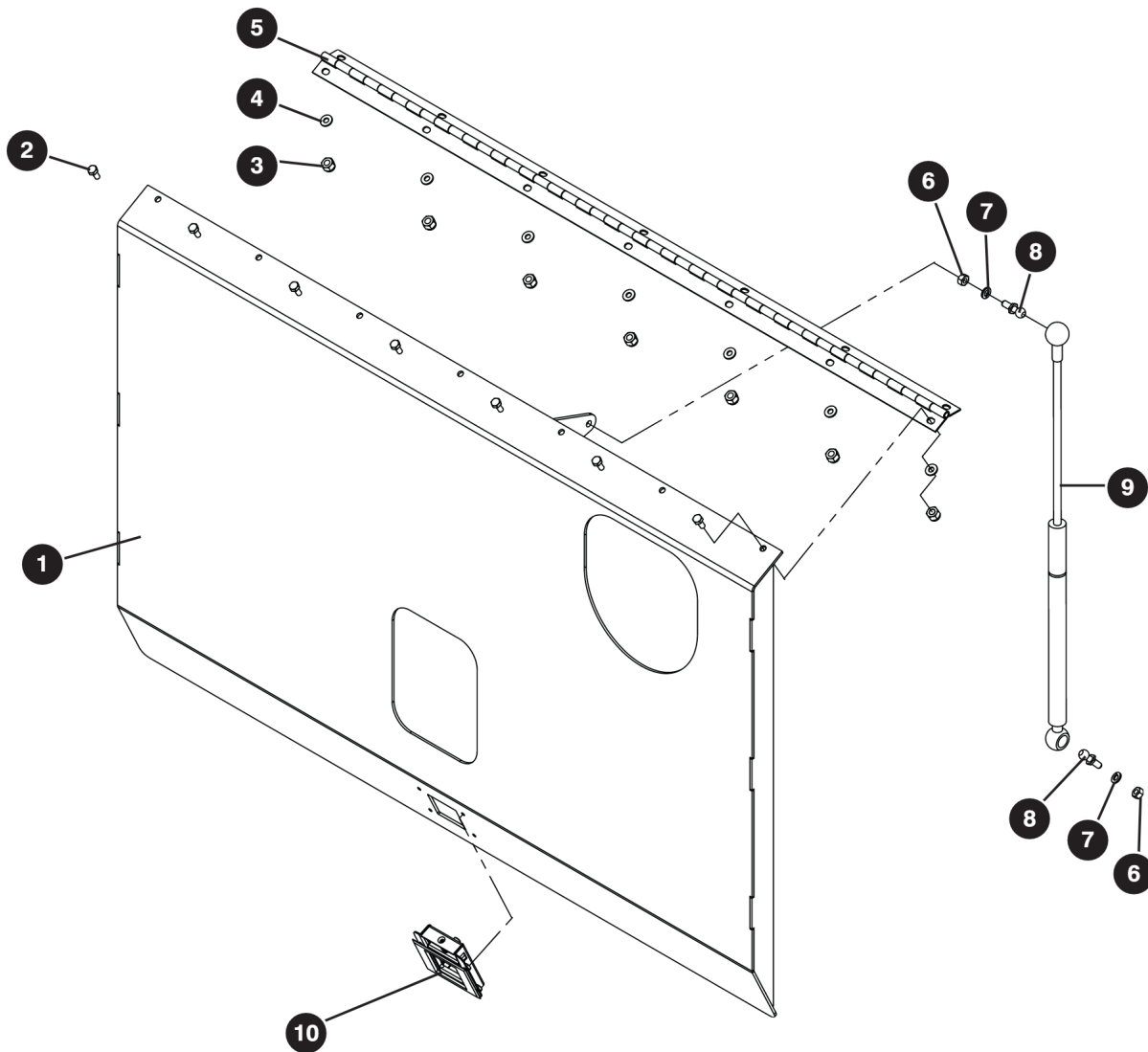
3.15 Main Manifold

Index No.	Skyjack Part No.	Qty.	Description
A	137189	1	MAIN MANIFOLD ASSEMBLY - <i>no outriggers</i>
B	160833	1	MAIN MANIFOLD ASSEMBLY - <i>with outriggers</i>
1	137125	1	• MANIFOLD, Main with plugs
2	114583	3	• FITTING, Elbow 90° (08 JICM – 08 ORBM)
3	106170	1	• FITTING, Tee swivel (8 JIC)
4	115320	3	• FITTING, Hydraulic plug (08MB), A
	115320	1	• FITTING, Hydraulic plug (08MB), B
5	137510	2	• ORIFICE, Lowering (0.106" diameter) - SJ6826 RT
	137509	2	• ORIFICE, Lowering (0.089" diameter) - SJ6832 RT
6	104437	4	• FITTING, Plug (06 ORBM)
7	104624	2	• VALVE, Pilot check
8	102665	1	• FITTING, Elbow 90° (06 JICM – 08 ORBM), B
9	103656	1	• VALVE, Small pump dump
10	103613	3	• COIL, 12 V
11	153336	1	• VALVE ASSEMBLY, Directional spool
	153337	2	• • COIL, 12 V
12	103919	4	• • BOLT, Socket head (#10–24 x 1.75", Gr. 5)
13	104534	2	• VALVE, Relief
14	106273	1	• VALVE, Lift
15	106272	2	• COIL, 12 V
16	107271	1	• VALVE, Manual directional
17	113752	1	• VALVE, Auto reset
18	110652	1	• PUMP, Cavity hand
19	137182	1	• VALVE, Needle cartridge (NV12–20)
–	139257	1	• VALVE ASSEMBLY, Directional spool w/ mounts
20	139256	1	• • VALVE ASSEMBLY, Directional spool
	128321	2	• • • COIL, 12V
21	103942	4	• • BOLT, Socket head (1/4"–20 x 1.75", Gr. 5)
22	103941	2	• BOLT, Socket (1/4"–20 x 3/4", Gr. 5)
23	137653	1	• HANDLE, Pull
24	102659	3	• FITTING, Straight (08 JICM – 08 ORBM)
25	110554	1	• FITTING, Tee (08 JICM – 08 JICM – 08 ORBM)
26	103923	4	• BOLT, Socket head (#10–24 x 3.5", Gr. 5)
27	139830	1	• SANDWICH VALVE ASSEMBLY
	140898	1	• • BLOCK, Sandwich manifold
	140897	1	• • PLUG, Cavity
	139834	4	• • O-RING
	106272	1	• • COIL, 12 V
	111937	1	• • VALVE, Solenoid
28	137508	1	• ORIFICE, Brake (0.028" diameter)
29	103655	1	• VALVE, Lowering (N.C.)

3.15 Main Manifold

Index No.	Skyjack Part No.	Qty.	Description
30	122419	1	• ASSEMBLY, Quick disconnect (system pressure)
	122365	1	• • FITTING, Connector (6 SAE – 6 JIC)
	122385	1	• • COUPLER, Quick
	114521	1	• • DUST CAP, 600 Series
31	114578	1	• FITTING, Elbow 90° (06 JICM – 06 ORBM)
32	137629	1	• FITTING, Plug cavity (#12)
33	137626	1	• FITTING, Elbow 90° (SAE–12 to Barb–16)
34	126128	3	• FITTING, Straight (04 JICM – 04 ORBM)
35	103069	1	• FITTING, Straight (06 JICM – 06 ORBM)
36	139739	1	• FITTING, Elbow 45° (08 JICM – 08 ORBM)
37	114365	1	• VALVE, Large pump dump (N.O.)
38	103623	1	• VALVE, Brake feed
39	137181	2	• VALVE, Cartridge counterbalance
40	137630	1	• FITTING, Straight (10 JICM – 10 ORBM)
41	137513	1	• COIL, 12 V
42	139351	1	• VALVE, Series/Parallel
43	103070	1	• FITTING, Straight (8 SAE – 6 JIC), B

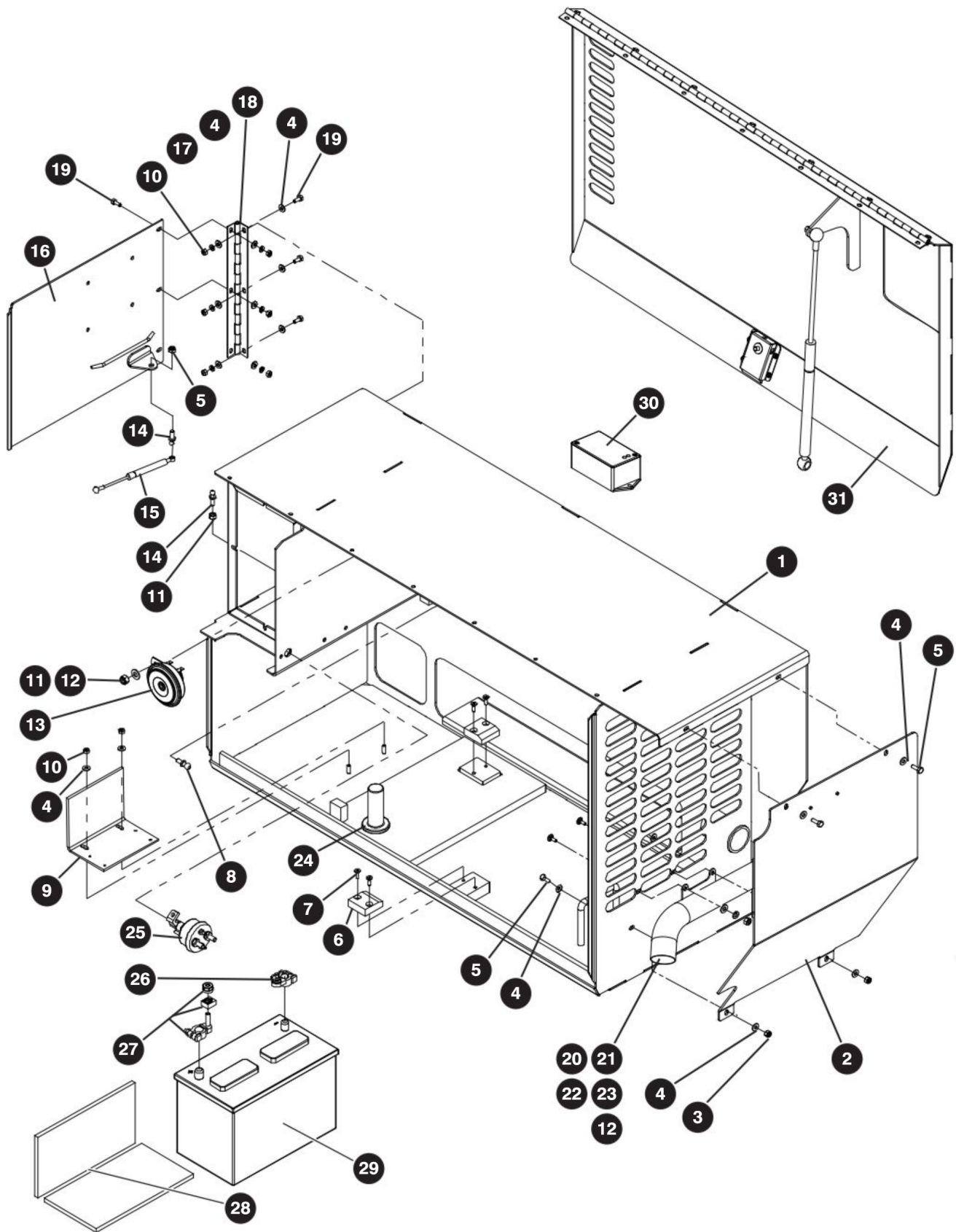
3.16 Hydraulic Cabinet Door



M138041AC_1

Index No.	Skyjack Part No.	Qty.	Description
–	138041DG	1	HYDRAULIC DOOR ASSEMBLY
1	136355DG	1	• DOOR, Hydraulic cabinet
2	103892	7	• BOLT, Hex head (1/4"–20 x 5/8", Gr. 5)
3	115649	7	• NUT, Hex nylon lock (1/4"–20, Gr. 5)
4	103995	7	• WASHER, Flat (1/4")
5	136996	1	• HINGE, Cabinet door
6	103984	1	• NUT, Hex head nylon lock (5/16"–18, Gr. 5)
7	103996	1	• WASHER, Flat (5/16")
8	138026	1	• STUD, Ball (13 mm)
9	137183	1	• GAS SPRING (10" stroke)
10	137005	1	• LATCH, Sliding with trim plate

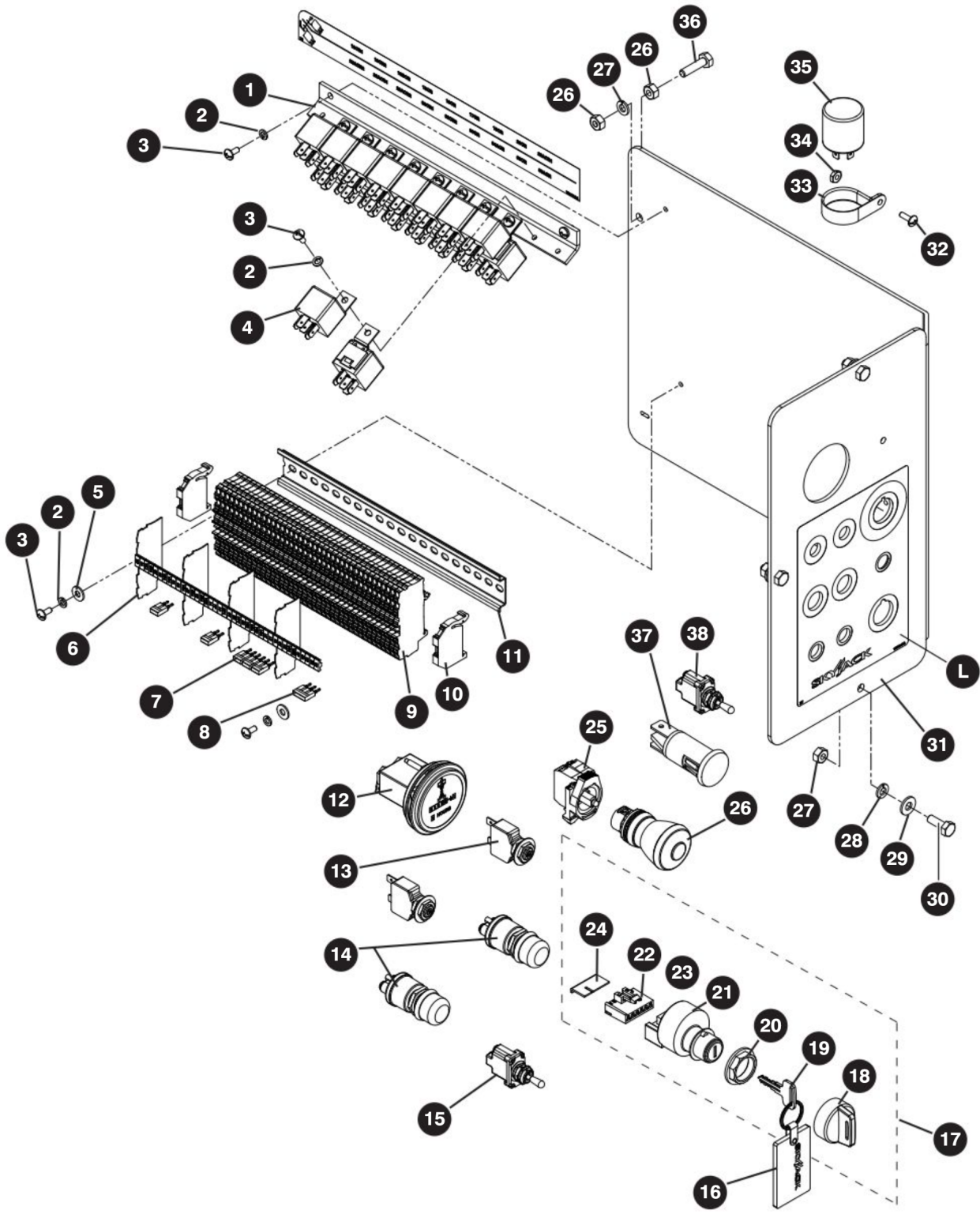
3.17 Engine Cabinet



3.17 Engine Cabinet

Index No.	Skyjack Part No.	Qty.	Description
–	135899DG	1	ENGINE CABINET ASSEMBLY
1	147812DG	1	• WELDMENT, Engine cabinet
2	147824DG	1	• WELDMENT, Mud guard
3	115649	4	• NUT, Hex nylon lock (1/4"–20, Gr. 5)
4	103995	19	• WASHER, Flat (1/4")
5	103856	4	• BOLT, Hex head (1/4"–20 x 3/4", Gr. 5)
6	136395	2	• UHMW BLOCK, Engine cabinet
7	139688	4	• SCREW, Flat head machine (1/4"–20 x 1")
8	138026	1	• STUD, Ball (13 mm)
9	137246DG	1	• BRACKET, Battery
10	103980	8	• NUT, Hex head (1/4"–20, Gr. 5)
11	103984	3	• NUT, Hex nylon lock (5/16"–18, Gr. 5)
12	103996	3	• WASHER, Flat (5/16")
13	146652	1	• HORN, 12 V
14	138025	2	• STUD, Ball (10 mm)
15	137184	1	• GAS SPRING (2.5" stroke)
16	137135DG	1	• DOOR, Instrumentation panel
17	104000	6	• WASHER, Lock (1/4")
18	137016	1	• HINGE, Instrumentation panel
19	103892	6	• BOLT, Hex head (1/4"–20 x 0.62", Gr. 5)
20	147590	1	• WELDMENT, Exhaust tube
21	110814	2	• CARRIAGE BOLT, (0.313–18 x 0.75, Gr. 5)
22	103404	2	• WASHER, Lock (5/16")
23	100397	2	• NUT, Hex head (5/16"–18, Gr. 5)
24	107952	1	WASHER, Bronze (1.25" ID x 2.375" OD x 1/8")
25	195217	1	SWITCH ASSEMBLY, Shut off and locking lever
	108714	1	• MOUNT, lockout switch
	119726	1	• SWITCH, Master disconnect (12 V)
26	128620	1	ADAPTER (Negative battery post to 5/16" stud)
27	128632	1	ADAPTER ASSEMBLY (300 A fuse positive battery post)
	128596	1	• CLAMP, Battery post single
	128595	1	• FUSE, 300 A
	128597	1	• NUT, Battery post insulated
28	112125	2	PLYWOOD, (3/8" x 6" x 11")
29	103295	1	BATTERY, 12 V (WET)
30	147954	1	TILT ALARM SWITCH ASSEMBLY (ANSI/CSA, No outriggers)
	171561	1	• SWITCH, Tilt (2.5 X 4.5)
	120094	2	• Bolt, Hex head (#10–32 x 5/8")
	104003	2	• NUT, Hex head (#10–32)
	104185	2	• WASHER, Lock (#10)
	104694	2	• WASHER, Flat (#10)
31	(Ref.)	1	ENGINE DOOR ASSEMBLY (For components, refer to Section 3.23 Engine Cabinet Door)

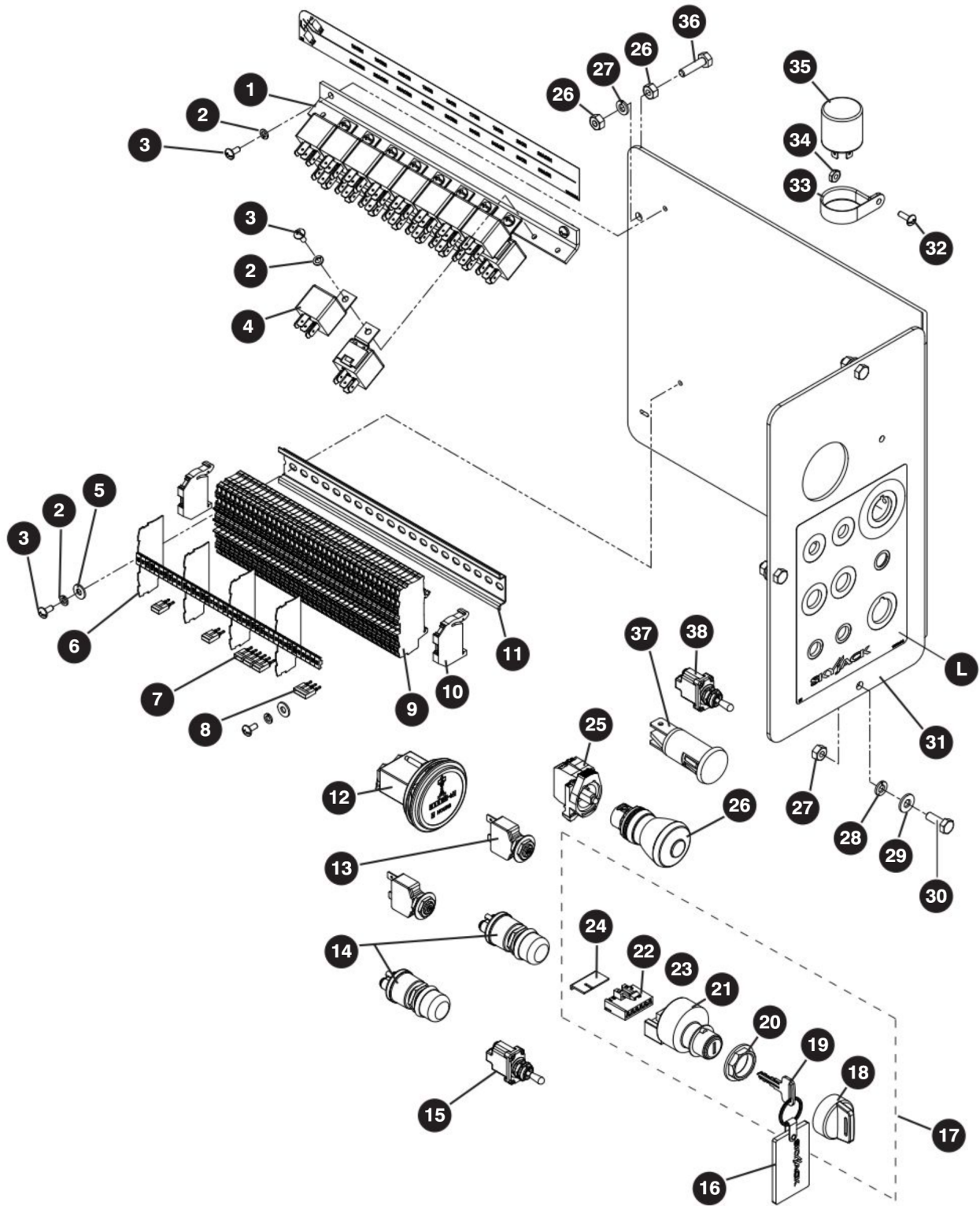
3.18 Electrical Panel - S/N 37 000 235 & above



3.18 Electrical Panel - S/N 37 000 235 & above

Index No.	Skyjack Part No.	Qty.	Description
A	195518DG	1	ELECTRICAL PANEL ASSEMBLY - ANSI/CSA SJ6826 RT and SJ6832 RT – S/N 37000235 and above
B	195559DG	1	ELECTRICAL PANEL ASSEMBLY - KC SJ6832 RT – S/N 37000235 and above
1	137507	1	• MOUNT, Bracket relay
2	104185	13	• WASHER, Lock (#10), A
		14	• WASHER, Lock (#10), B
3	115545	13	• SCREW, Round head machine (#10–32 x 3/8"), A
		14	• SCREW, Round head machine (#10–32 x 3/8"), B
4	127035	18	• RELAY, 12 V (40 A), A
		19	• RELAY, 12 V (40 A), B
5	104694	2	• WASHER, Flat (#10)
6	137941	4	• END PLATE
7	137942	5	• JUMPER (2 pin)
8	137943	1	• JUMPER (3 pin)
9	137940	40	• TERMINAL BLOCK, Conductor through
10	707147	2	• END STOP
11	137958	1	• RAIL, Din (10")
12	103336	1	• HOUR METER
13	137919	2	• BREAKER, Circuit (25 A)
14	102692	2	• SWITCH, Push button
15	102853	1	• SWITCH, Toggle
16	114710	1	• RING KEY, SKYJACK
17	171894	1	• SWITCH KEY, 3–way – NA
18	138138	1	• • BOOT, Key switch
19	138137	2	• • KEY, #455
20	138136	1	• • NUT, Key switch
21	171893	1	• • HEAD, Switch key 3–way
22	137442	6	• • WIRE TERMINAL, 280 Female unsealed
23	137441	1	• • CONNECTOR, Housing 6 Way
24	137443	1	• • TERMINAL POSITION ASSURANCE
25	137790	1	• SWITCH BASE ASSEMBLY, NC/LED (Red)
26	137795	1	• SWITCH ASSEMBLY, Emergency stop
27	103980	5	• NUT, Hex head (1/4"– 20, Gr. 5)
28	104000	4	• WASHER, Lock (1/4")
29	103995	3	• WASHER, Flat (1/4")
30	103856	3	• BOLT, Hex Head (1/4" – 20 x 3/4", Gr. 5)
31	137199	1	• SHEET, Electrical panel
32	103962	1	• SCREW, Round head machine (#10 – 32 x 1/2")
33	132793	1	• CLAMP, Plastic (1.25")
34	104003	1	• NUT, Hex head (#10–32)
35	103743	1	• FLASHER (12/24 V)
36	103857	1	• BOLT, Hex head (1/4"– 20 x 1", Gr. 5)
37	(Ref.)	1	LIGHT, Indicator 12 Amber (For components, refer to Section 3.24 Engine and Main Manifold Harnesses)
38	(Ref.)	1	SWITCH, Toggle (For components, refer to Section 3.24 Engine and Main Manifold Harnesses)
L	(Ref.)	1	• LABELS (For components, refer to Section 6.1 Label Kits)

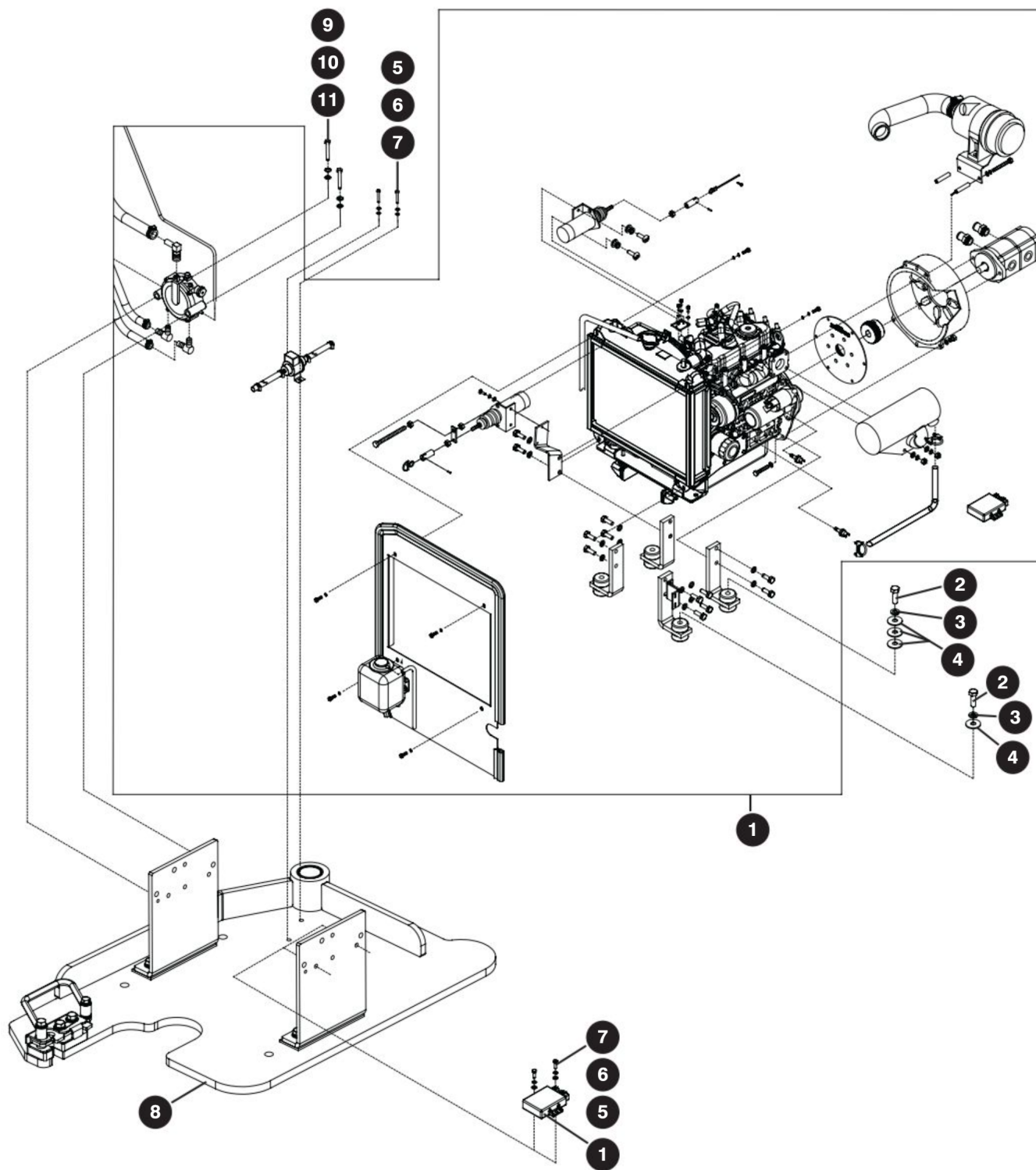
3.19 Electrical Panel - S/N 37 000 234 & below



3.19 Electrical Panel - S/N 37 000 234 & below

Index No.	Skyjack Part No.	Qty.	Description
A	137498DG	1	ELECTRICAL PANEL ASSEMBLY - ANSI/CSA <i>(Models SJ6826 RT and SJ6832 RT – S/N 37000234 and below)</i>
B	156699DG	1	ELECTRICAL PANEL ASSEMBLY - KC <i>(Model SJ6832 RT – S/N 37000234 and below)</i>
1	137507	1	• MOUNT, Bracket relay
2	104185	13	• WASHER, Lock (#10), A
		14	• WASHER, Lock (#10), B
3	115545	13	• SCREW, Round head machine (#10–32 x 3/8"), A
		14	• SCREW, Round head machine (#10–32 x 3/8"), B
4	127035	18	• RELAY, 12V (40 A), A
		19	• RELAY, 12V (40 A), B
5	104694	2	• WASHER, Flat (#10)
6	137941	4	• END PLATE
7	137942	5	• JUMPER (2 pin)
8	137943	1	• JUMPER (3 pin)
9	137940	40	• TERMINAL BLOCK, Conductor through
10	707147	2	• END STOP
11	137958	1	• RAIL, Din (10")
12	103336	1	• HOUR METER
13	137919	2	• BREAKER, Circuit (25 A)
14	102692	2	• SWITCH, Push button
15	102853	1	• SWITCH, Toggle
16	114710	1	• RING KEY, SKYJACK
17	133762	1	• SWITCH KEY, 3 Way
18	138138	1	• • BOOT, Key switch
19	138137	2	• • KEY, #455
20	138136	1	• • NUT, Key switch
21	137440	1	• • HEAD, Switch key 3 way
22	137442	6	• • WIRE TERMINAL, 280 Female unsealed
23	137441	1	• • CONNECTOR, Housing 6 Way
24	137443	1	• • TERMINAL POSITION ASSURANCE
25	137790	1	• SWITCH BASE ASSEMBLY, NC/LED (Red)
26	137795	1	• SWITCH ASSEMBLY, Emergency stop
27	103980	5	• NUT, Hex head (1/4"– 20, Gr. 5)
28	104000	4	• WASHER, Lock (1/4")
29	103995	3	• WASHER, Flat (1/4")
30	103856	3	• BOLT, Hex Head (1/4" – 20 x 3/4", Gr. 5)
31	137199	1	• SHEET, Electrical panel
32	103962	1	• SCREW, Round head machine (#10 – 32 x 1/2")
33	132793	1	• CLAMP, Plastic (1.25")
34	104003	1	• NUT, Hex head (#10–32)
35	103743	1	• FLASHER (12/24 V)
36	103857	1	• BOLT, Hex head (1/4"– 20 x 1", Gr. 5)
37	(Ref.)	–	LIGHT, Indicator 12 Amber <i>(For components, refer to Section 3.24 Engine and Main Manifold Harnesses)</i>
38	(Ref.)	–	SWITCH, Toggle <i>(For components, refer to Section 3.24 Engine and Main Manifold Harnesses)</i>
L	(Ref.)	–	• LABELS <i>(For components, refer to Section 6.1 Label Kits)</i>

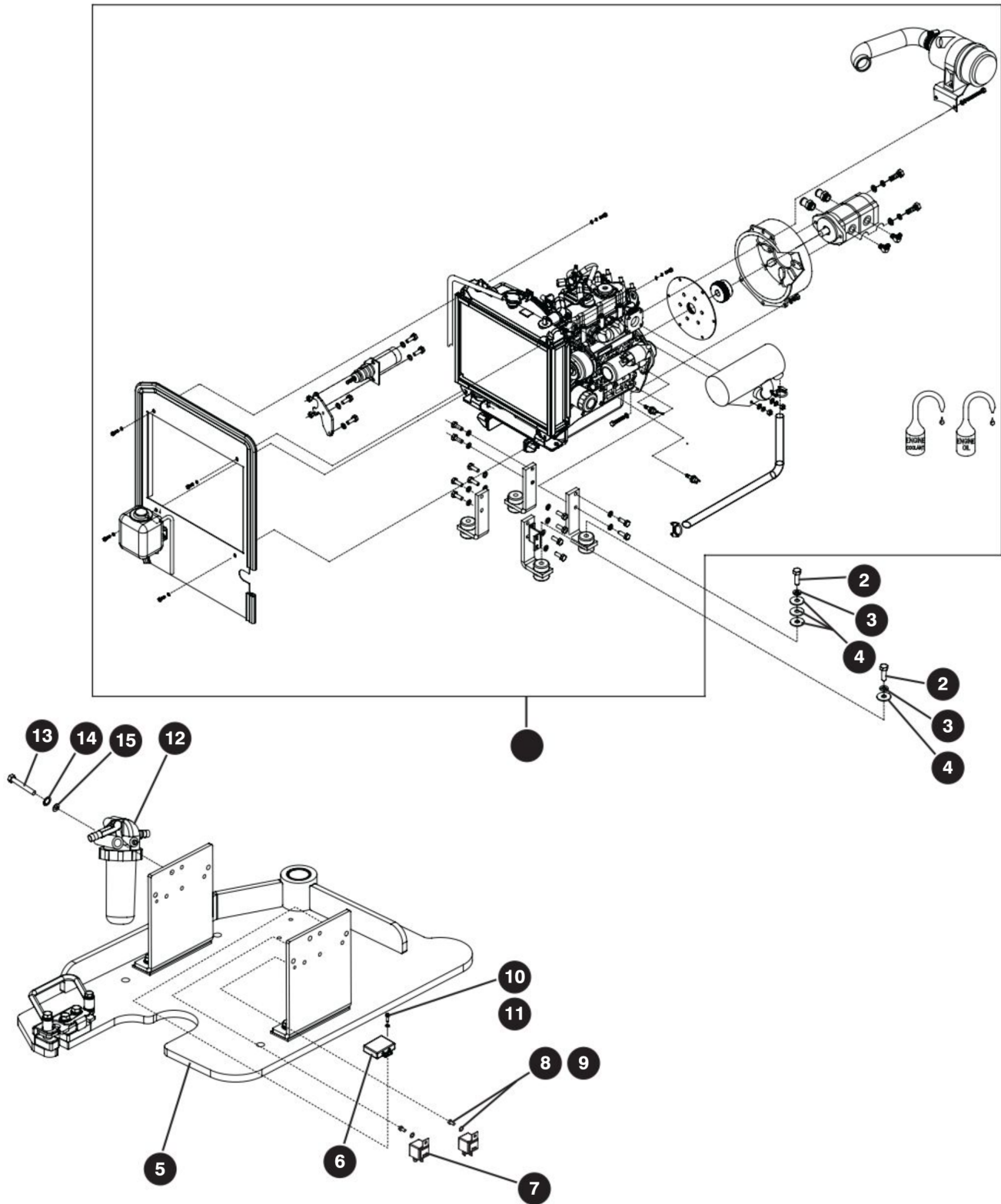
3.20 Engine to Tray Assembly - Kubota D972



3.20 Engine to Tray Assembly - Kubota D972

Index No.	Skyjack Part No.	Qty.	Description
1	(Ref.)	1	ENGINE ASSEMBLY (For components, refer to Section 4.1 Engine - Kubota DF972)
2	108818	4	BOLT, Hex head (1/2"-13 x 2.75", Gr. 5)
3	103470	4	WASHER, Lock (1/2", Nom. 0.12)
4	137241	6	WASHER, Fender (1/2" inner diameter)
5	103892	4	BOLT, Hex head (1/4"-20 x 5/8", Gr. 5)
6	104000	4	WASHER, Lock (1/4", Nom. 0.06)
7	103995	4	WASHER, Flat (1/4" SAE)
8	(Ref.)	1	ENGINE TRAY ASSEMBLY (For components, refer to Section 3.24 Engine and Main Manifold Harnesses)
9	103885	2	BOLT, Hex head (5/16"-18 x 1.75", Gr. 5)
10	103996	2	WASHER, Flat (5/16")
11	103404	2	WASHER Lock (5/16", Nom. 0.07)

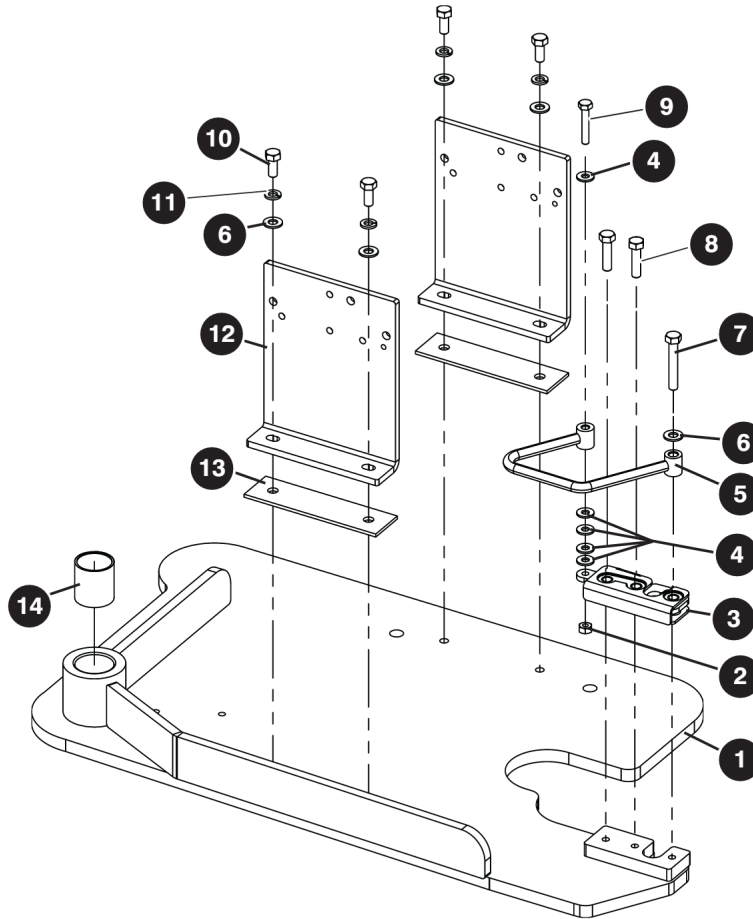
3.21 Engine to Tray Assembly - Kubota D902



3.21 Engine to Tray Assembly - Kubota D902

Index No.	Skyjack Part No.	Qty.	Description
1	(Ref.)	1	ENGINE ASSEMBLY (For components, refer to Section 4.7 Engine - Kubota D902)
2	108818	4	BOLT, Hex head (1/2"-13 x 2.75", Gr. 5)
3	103470	4	WASHER, Lock (1/2", Nom. 0.12)
4	137241	5	WASHER, Fender (1/2" Inner diameter)
5	(Ref.)	1	ENGINE TRAY ASSEMBLY (For components, refer to Section 3.22 Engine Tray)
6	(Ref.)	1	TIMER, Glow lamp (For components, refer to Section 4.7 Engine - Kubota D902)
7	127035	1	RELAY, 12 V (40 A)
		2	RELAY, 12 V (40 A) (If equipped with fuel solenoid relay)
8	103964	2	BOLT, Round head machine (#10-32 x 1/4")
9	104185	2	WASHER, Lock (#10)
10	103855	1	BOLT, Hex head (1/4"-20 x 1/2", Gr. 5)
11	104000	1	WASHER, Lock (1/4")
12	137885	1	FUEL FILTER ASSEMBLY
	137904	1	• ELEMENT, Filter
13	116218	4	BOLT, Hex head (M8-1.25 x 65 mm, Gr. 8.8, ZP)
14	137886	1	WASHER, Lock (M8)
15	133232	1	WASHER, Flat (M8)

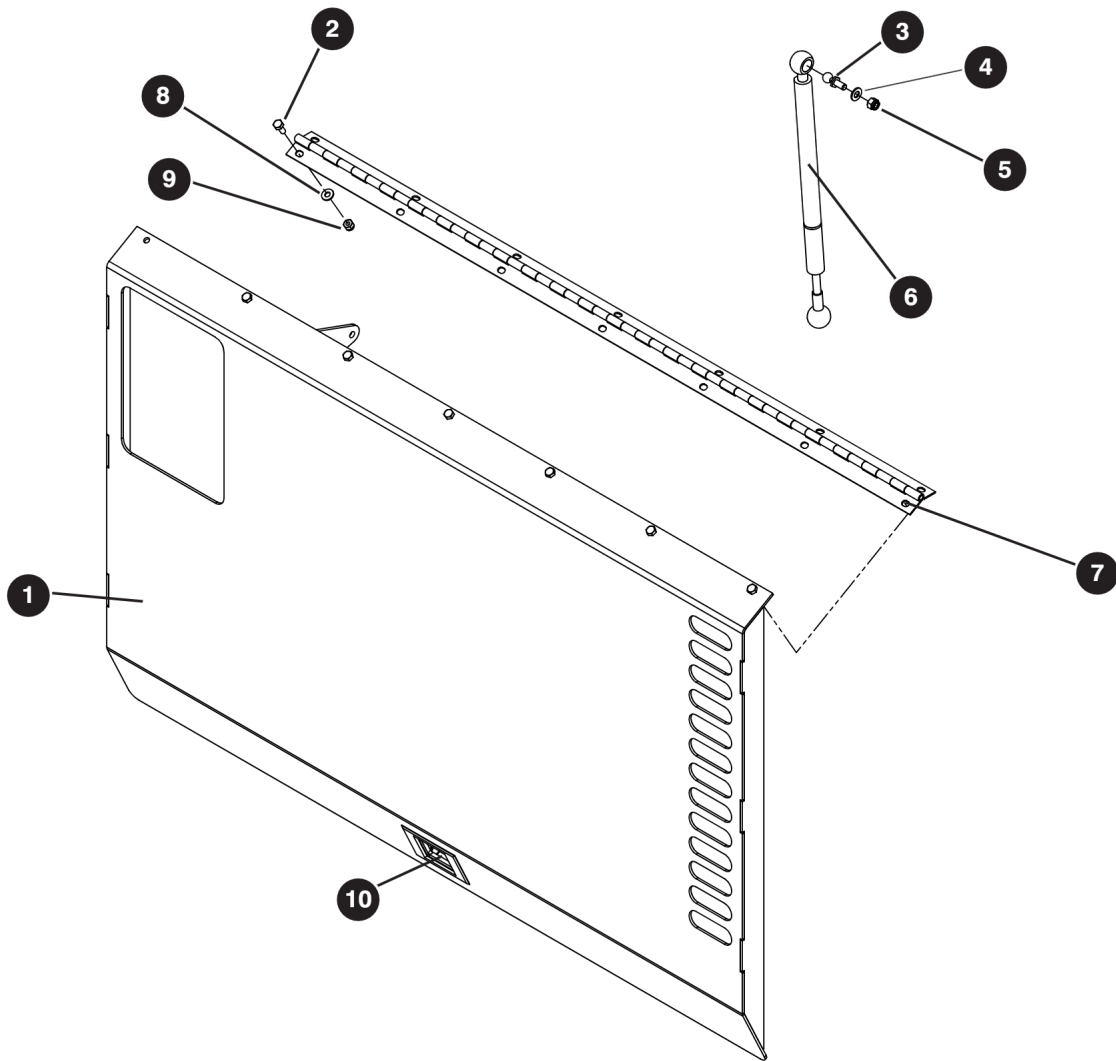
3.22 Engine Tray



M136394AC

Index No.	Skyjack Part No.	Qty.	Description
–	136394	1	ENGINE TRAY ASSEMBLY (Kubota DF972/WG752/D902)
1	136387DG	1	• TRAY, Engine – Serial number 37009728 and below
	199381	1	• TRAY, Engine – Serial number 37009729 and above
2	103980	1	• NUT, Hex nylon lock (1/4"– 20 Gr. 8)
3	112307	1	• LATCH, Rotary (Left hand)
4	103995	5	• WASHER, Flat (1/4")
5	126634	1	• HANDLE, Tray Lock
6	103996	7	• WASHER, Flat (5/16")
7	103865	1	• BOLT, Hex head (5/16"–18 x 2", Gr. 5)
8	112532	2	• BOLT, Hex head (5/16"–18 x 1", Gr. 5)
9	103860	1	• BOLT, Hex head (1/4"– 20 x 1.75", Gr. 5)
10	103887	4	• BOLT, Hex head (5/16"–18 x 3/4", Gr. 5)
11	103404	7	• WASHER, Lock (5/16")
12	136077DG	2	• BRACKET
13	136976	2	• PAD, Rubber
14	125262	2	• BUSHING

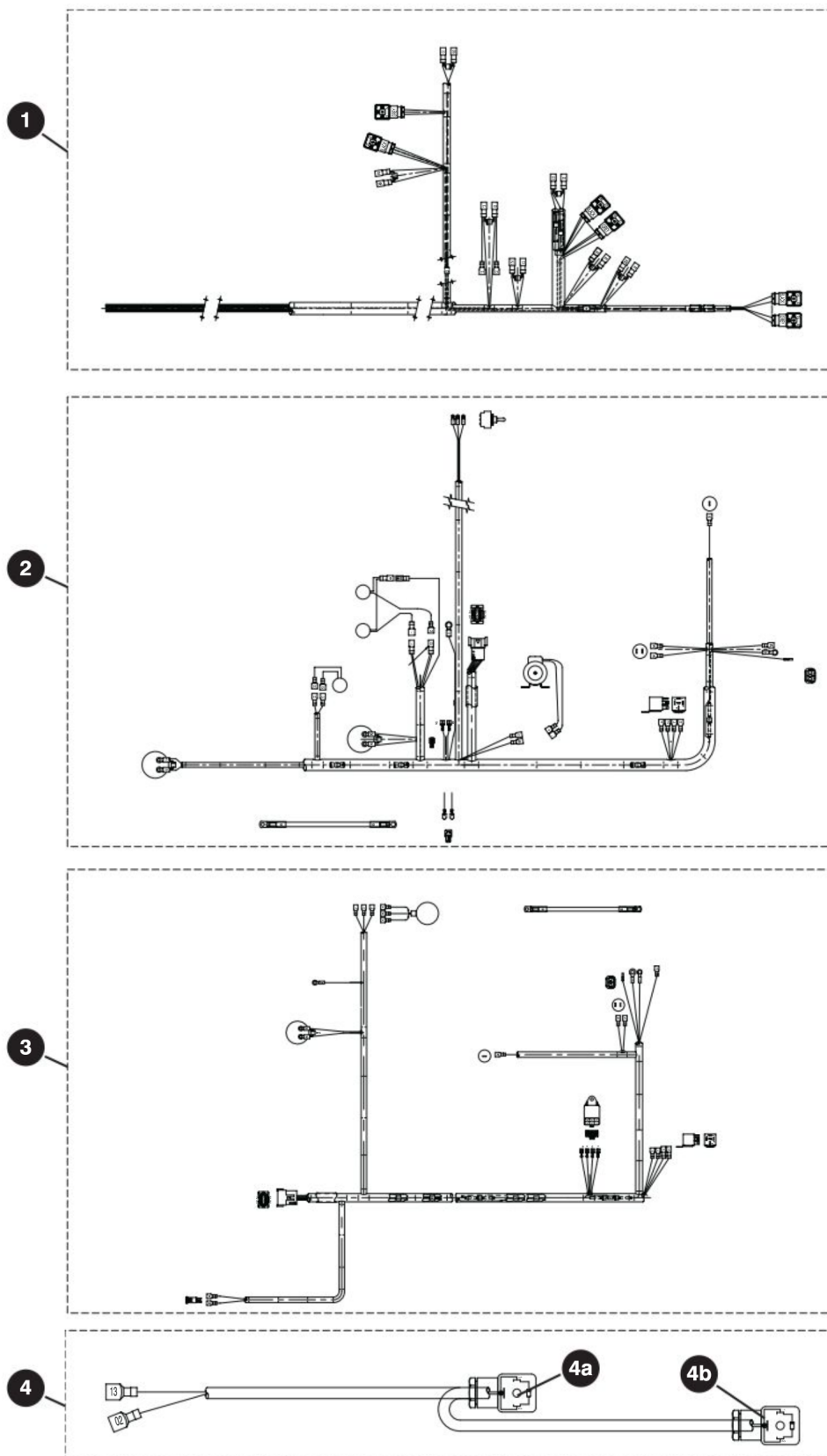
3.23 Engine Cabinet Door



M138040AF

Index No.	Skyjack Part No.	Qty.	Description
–	138040DG	1	ENGINE DOOR ASSEMBLY
1	137017DG	1	• DOOR, Engine cabinet
2	103892	7	• BOLT, Hex head (1/4"–20 x 5/8", Gr. 5)
3	138026	1	• STUD, Ball (13 mm)
4	103996	1	• WASHER, Flat (5/16")
5	103984	1	• NUT, Hex nylon lock (5/16"–18, Gr. 5)
6	137183	1	• GAS SPRING, (10" stroke)
7	136996	1	• HINGE, Cabinet door
8	103995	14	• WASHER, Flat (1/4")
9	115649	14	• NUT, Hex nylon lock (1/4"–20, Gr. 5)
10	137005	1	• LATCH, Sliding with trim plate

3.24 Engine and Main Manifold Harnesses



M137528AA_M137884AD_M139827AA_M139647AA

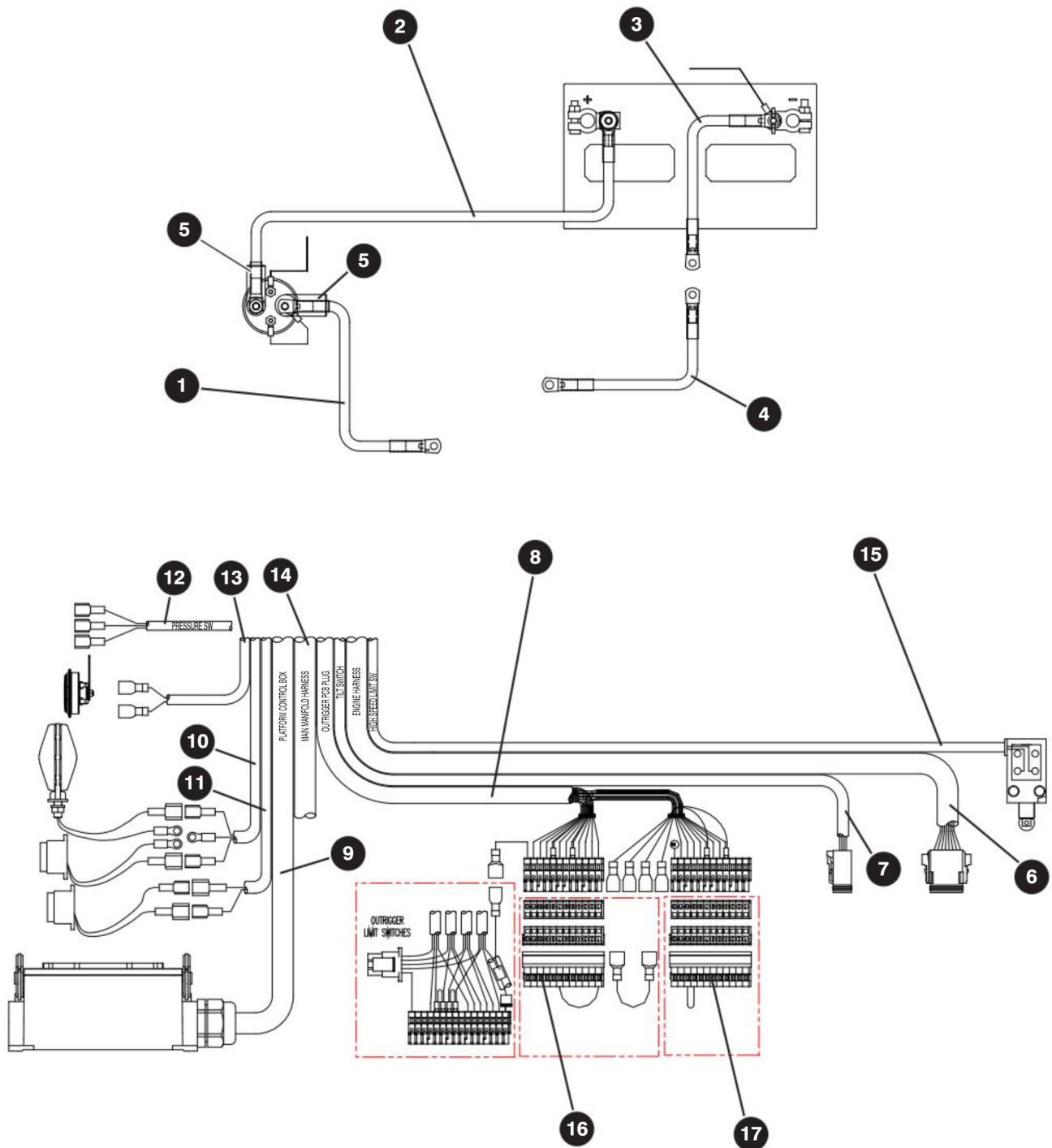
194370AD

SJ6826 RT, SJ6832 RT

3.24 Engine and Main Manifold Harnesses

Index No.	Skyjack Part No.	Qty.	Description
1	139827	1	HARNESS, Main manifold valve assembly
	127315	1	• CONNECTOR, Solenoid
	170593	1	• CONNECTOR, Solenoid
2	137382	1	HARNESS, Engine (Kubota dual fuel) Serial number 37009728 and below
	198922	1	HARNESS, Engine (Kubota dual fuel) Serial number 37009729 and above
	136178	1	• COUPLER ASSEMBLY
	136179	1	• COUPLER ALTERNATOR ASSEMBLY
3	137527	1	HARNESS, Engine (Kubota diesel fuel)
	137869	1	• COUPLER ASSEMBLY (Glow lamp timer)
	136179	1	• COUPLER ALTERNATOR ASSEMBLY
4	139647	1	HARNESS, Cylinder manifold
4a	127315	1	• CONNECTOR, Solenoid (with diode)
4b	170593	1	• CONNECTOR, Solenoid (with diode)

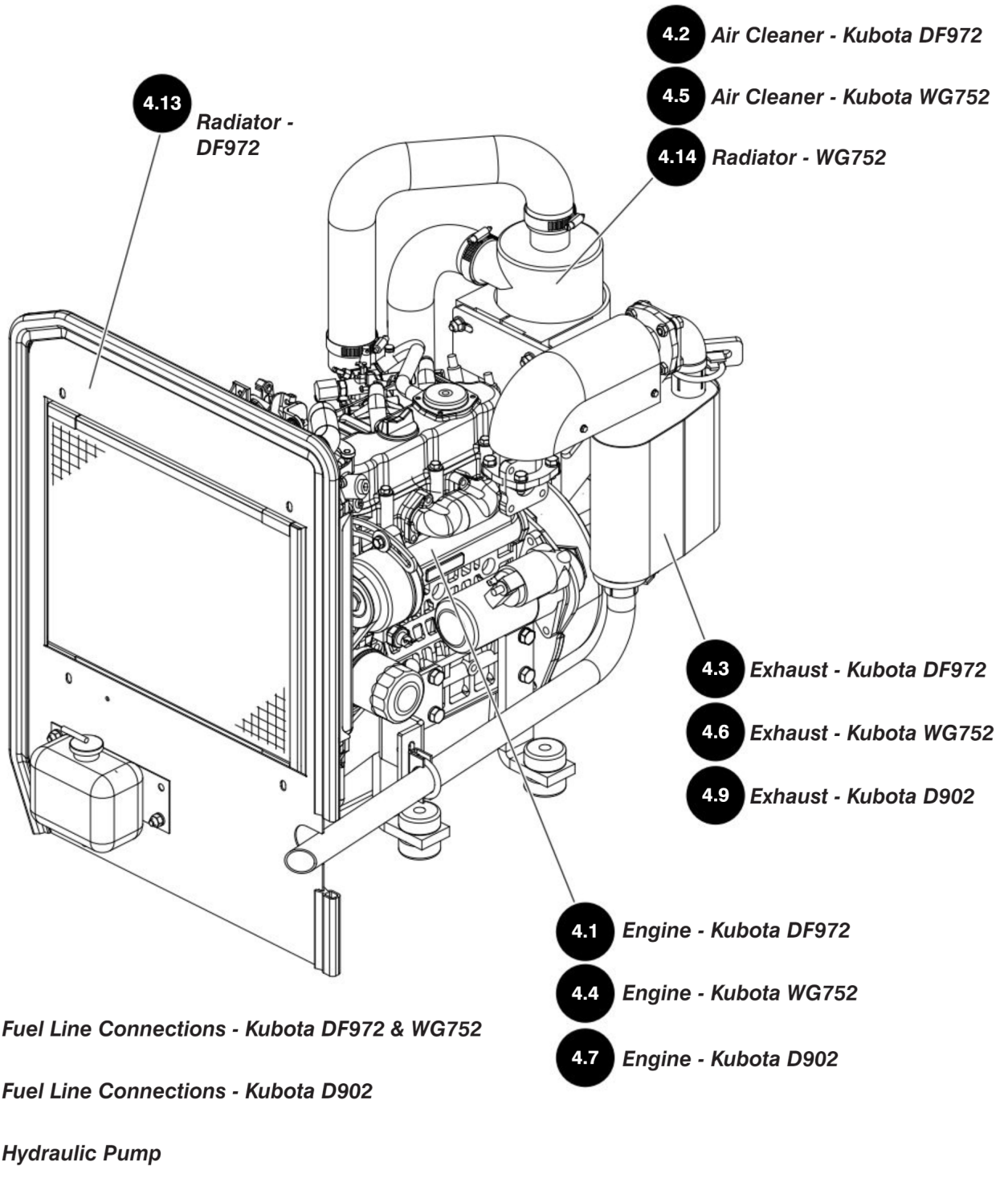
3.25 Electrical Panel Harnesses



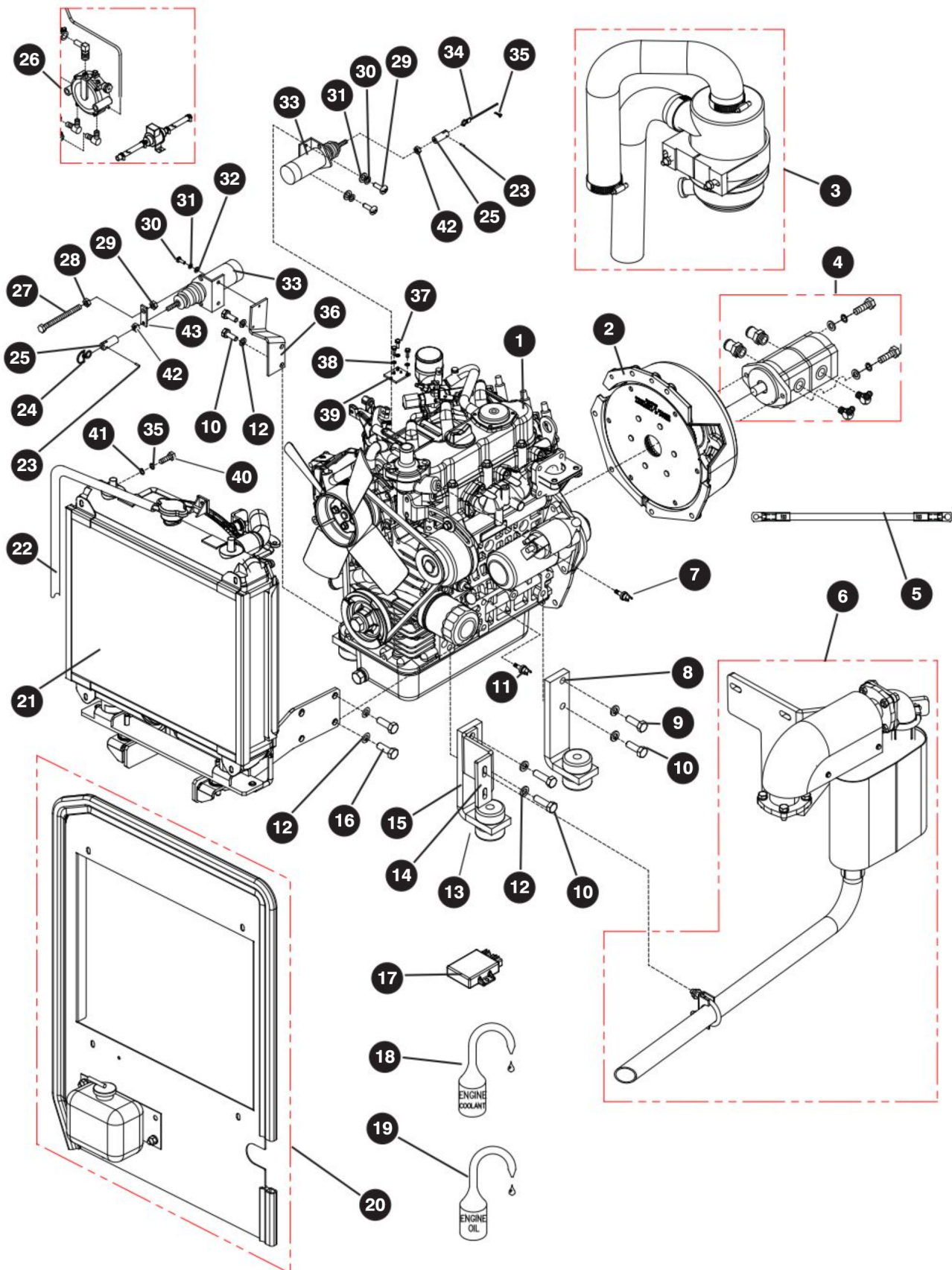
3.25 Electrical Panel Harnesses

Index No.	Skyjack Part No.	Qty.	Description
1	138068	1	CABLE, #2 GA
2	139251	1	CABLE, #2 GA
3	139233	1	CABLE, #2 GA
4	138069	1	CABLE, #2 GA
5	117408	2	BOOT, Red battery
6	137955	1	ENGINE HARNESS
	117583	1	• PLUG, Connector (8 pin)
	117593	7	• SOCKET, Connector Contact (14–16)
	117594	1	• PLUG, Connector sealing
	117585	1	• PLUG, Connector wedge (8 pin)
7	138005	1	HARNESS, Tilt switch
	117579	1	• PLUG, Connector (4 pin)
	117581	1	• PLUG, Connector wedge (4 pin)
	117591	4	• SOCKET, Connector Contact (16–18)
8	(Ref.)	1	HARNESS, Outrigger panel (For components, refer to Section 5.2 Electrical Harness Connections - Outriggers)
9	137354	1	CONTROL CABLE, Electrical panel
	137330	1	• HOUSING, Surface mount 24 pin with strain relief
	137223	1	• INSERT, Female (24 pin)
10	138007	1	HARNESS, Beeper
11	156704	1	HARNESS, Beeper - KC
12	156703	1	HARNESS, Pressure switch - KC
13	137952	1	HARNESS, Horn
14	(Ref.)	1	HARNESS, Main manifold (For components, refer to Section 3.24 Engine and Main Manifold Harnesses)
15	138074	1	HARNESS, Limit switch, high speed
16	146118	1	PLUG, Connector (12 pin) (Machines without outriggers)
17	146118	1	PLUG, Connector (12 pin) (Machines without outriggers)

Section 4 – Engine Related Parts



4.1 Engine - Kubota DF972



M158926AB_M137884_1AC

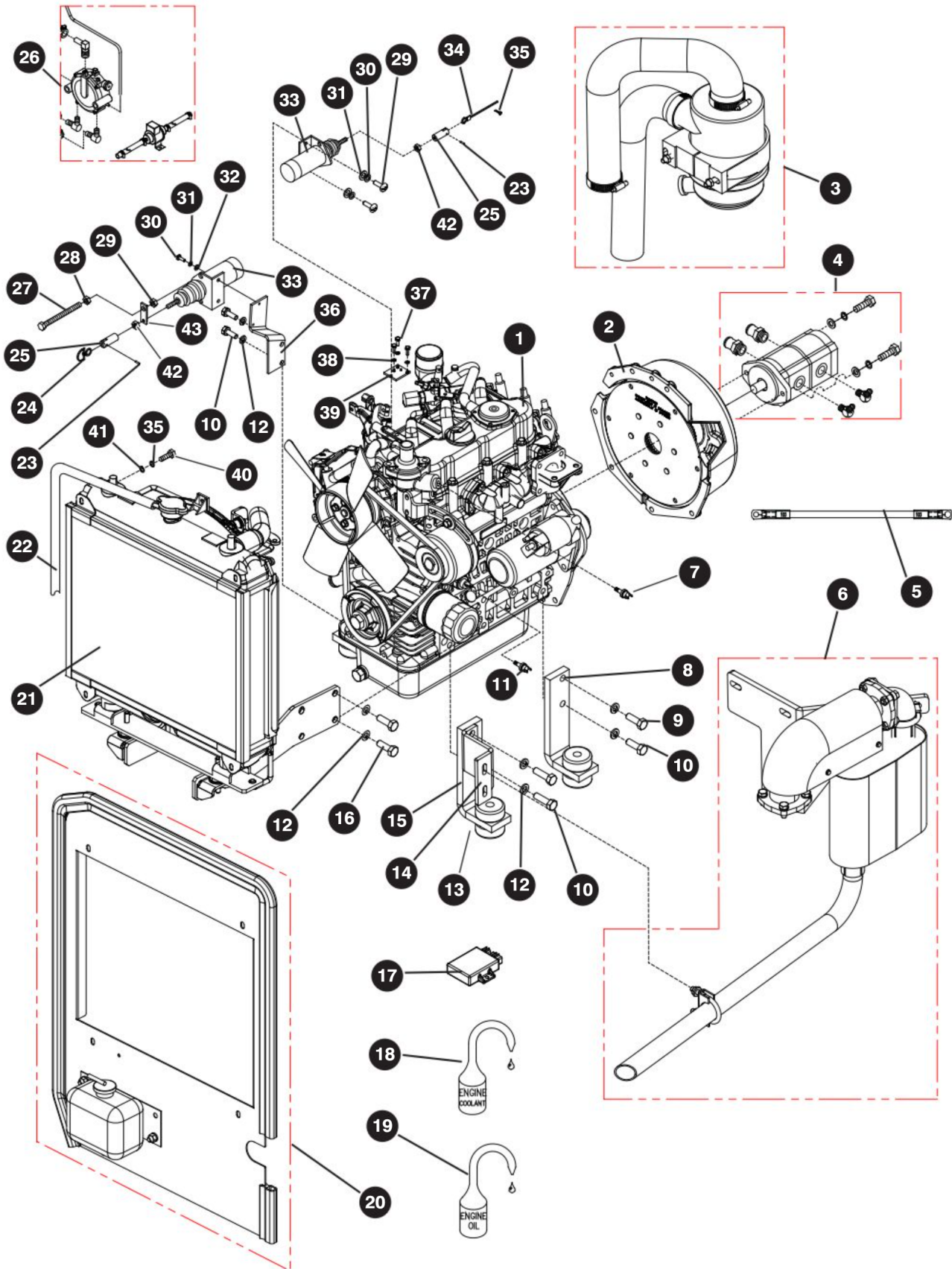
194370AD

SJ6826 RT, SJ6832 RT

4.1 Engine - Kubota DF972

Index No.	Skyjack Part No.	Qty.	Description
			(Serial number 37009728 and below)
1	192034	1	ENGINE, Kubota (DF972)
	158926	1	ENGINE, Kubota (DF972) (Replaced by 192034)
	159214	1	• CARBURETOR ASSEMBLY
	209301	1	• TERMINAL ASSEMBLY
	159210	1	• MANIFOLD, Inlet
	158922	1	• MANIFOLD, Exhaust
	136086	1	• SHIELD, Exhaust manifold heat
	136088	1	• ASSEMBLY, Idler gear
	136089	1	• SHAFT, Idler gear
	136091	1	• PLATE, Rear end
	159212	1	• OIL FILTER, Cartridge
	159213	1	• GAUGE, Oil (Dipstick)
	136098	1	• LEVER, Speed control
	159216	1	• STARTER, Engine
	136101	1	• ALTERNATOR
	136102	1	• • BRACKET, Alternator
	136103	1	• • GUARD, Alternator
	136104	3	• PLUG, Spark
	136105	3	• • CAP, Spark plug
	136106	3	• COIL, Ignition
	136109	1	• THERMOSTAT, Engine
	195362	1	• • GASKET, Thermostat
	136110	1	• COVER, Thermostat
	137649	1	• FAN, Pusher
	136112	1	• PULLEY, Fan
	136113	1	• PULLEY, Fan drive
	136114	1	• BELT, Fan
	159219	1	• MANUAL, Operators
	136117	1	• LABEL, CSA
	136099	1	• HARNESS, Wiring
	136118	1	• FILTER, Fuel
	159220	1	• KIT, Electric fuel pump
	158923	1	• VAPORIZER
2	149834	1	BELL HOUSING ASSEMBLY (Kubota DF972 – Universal)
	149830	1	• BELL HOUSING
	149833	1	• HUB, Coupling
	149832	1	• FLANGE, Nylon (150 mm)
	149831	1	• KIT, Hardware
3	(Ref.)	–	AIR CLEANER ASSEMBLY (For components, refer to Section 4.2 Air Cleaner - Kubota DF972)
4	(Ref.)	–	HYDRAULIC PUMP ASSEMBLY (For components, refer to Section 4.12 Hydraulic Pump)
5	139252	1	CABLE, battery
6	(Ref.)	–	EXHAUST ASSEMBLY (For components, refer to Section 4.9 Exhaust - Kubota D902)
7	113400	1	SWITCH, Temperature
8	136032DG	2	BRACKET, Engine mount (Front left/Rear right)
9	103850	1	BOLT, Hex head (M10 x 1.25 x 30 mm, Gr. 8.8)
10	136665	7	BOLT, Hex head (M10 x 1.25 x 35 mm, Gr. 8.8)

4.1 Engine - Kubota DF972



M158926AB_M137884_1AC

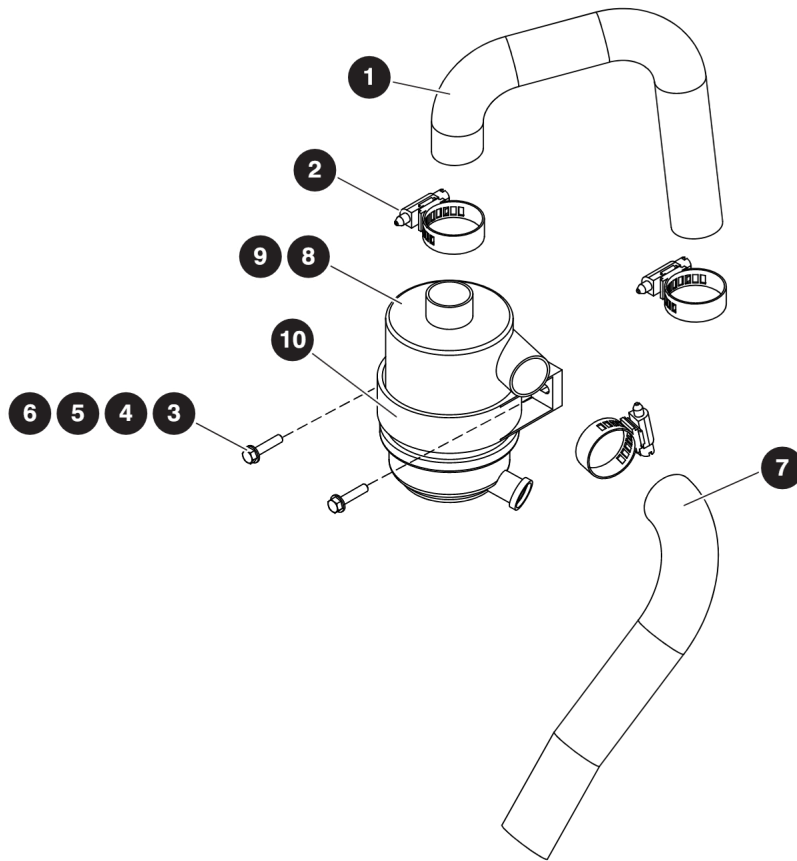
194370AD

SJ6826 RT, SJ6832 RT

4.1 Engine - Kubota DF972

Index No.	Skyjack Part No.	Qty.	Description
11	102838	1	SWITCH, Oil pressure
12	130884	1	WASHER, Lock (M10)
13	147634	4	MOUNT, Engine vibration control
14	137657DG	1	BRACKET, Exhaust
15	136033DG	2	BRACKET, Engine mount (Front right/Rear left)
16	103848	4	BOLT, Hex head (M10 x 1.25 x 20 mm, Gr. 8.8)
17	159221	1	MODULE, Igniter control
18	(Ref.)	1	COOLANT, Engine (For components, refer to Section 7.1 Fluid Tables)
19	(Ref.)	1	OIL, Engine (For components, refer to Section 7.1 Fluid Tables)
20	137648	1	ASSEMBLY, Radiator plate
	137481DG	1	• PLATE, Radiator
	137643	1	• TRIM, Rubber long
	137647	1	• TRIM, Rubber short
	147142	1	• RESERVOIR, Coolant
	–	1	• HARDWARE, Coolant reservoir
	103887	2	• • BOLT, Hex head (5/16"–18 x 3/4", Gr. 5)
	103996	2	• • WASHER, Flat (5/16")
	100397	2	• • NUT, Hex head (5/16"–18, Gr. 5)
	103404	2	• • WASHER, Lock (5/16")
21	(Ref.)	1	RADIATOR, Assembly (Kubota DF972/D902/WG752) (For components, refer to Section 4.14 Radiator - WG752)
22	102984	46"	LINE, Overflow
23	114684	2	PIN, Roll (1/8" diameter x 7/16")
24	116031	1	SWIVEL, Solenoid contactor
25	101860	2	ATTACHMENT, Throttle linkage
26	(Ref.)	1	ASSEMBLY, Fuel line (For components, refer to Section 4.10 Fuel Line Connections - Kubota DF972 & WG752)
27	120738	1	BOLT, Hex head cap screw (1/4"–20 x 4")
28	103980	1	NUT, Hex head (1/4"– 20, Grade B)
29	115649	1	NUT, Nylon lock (1/4"–20)
30	103962	4	SCREW, Round head machine (#10–32 x 1/2")
31	104185	4	WASHER, Lock (#10)
32	104694	4	WASHER, Flat (#10)
33	103007	2	SOLENOID, DC (12 V)
34	116467	1	CABLE, Choke
35	137525	1	SCREW, Pan head (M4 x 6, DIN 85, ZP)
36	136264DG	1	MOUNT, Lower solenoid
37	104608	4	BOLT, Hex head (M6–1 x 16 mm, Gr. 5)
38	121758	14	WASHER, Lock (6 mm)
39	136974	1	BRACKET, Choke solenoid
40	136185	2	BOLT, Hex head (M6 – 1 x 30 mm)
41	133219	2	WASHER, Flat (M6)
42	114709	2	NUT, FHN (1/4"–28)
43	113582	1	LIMITER, Solenoid

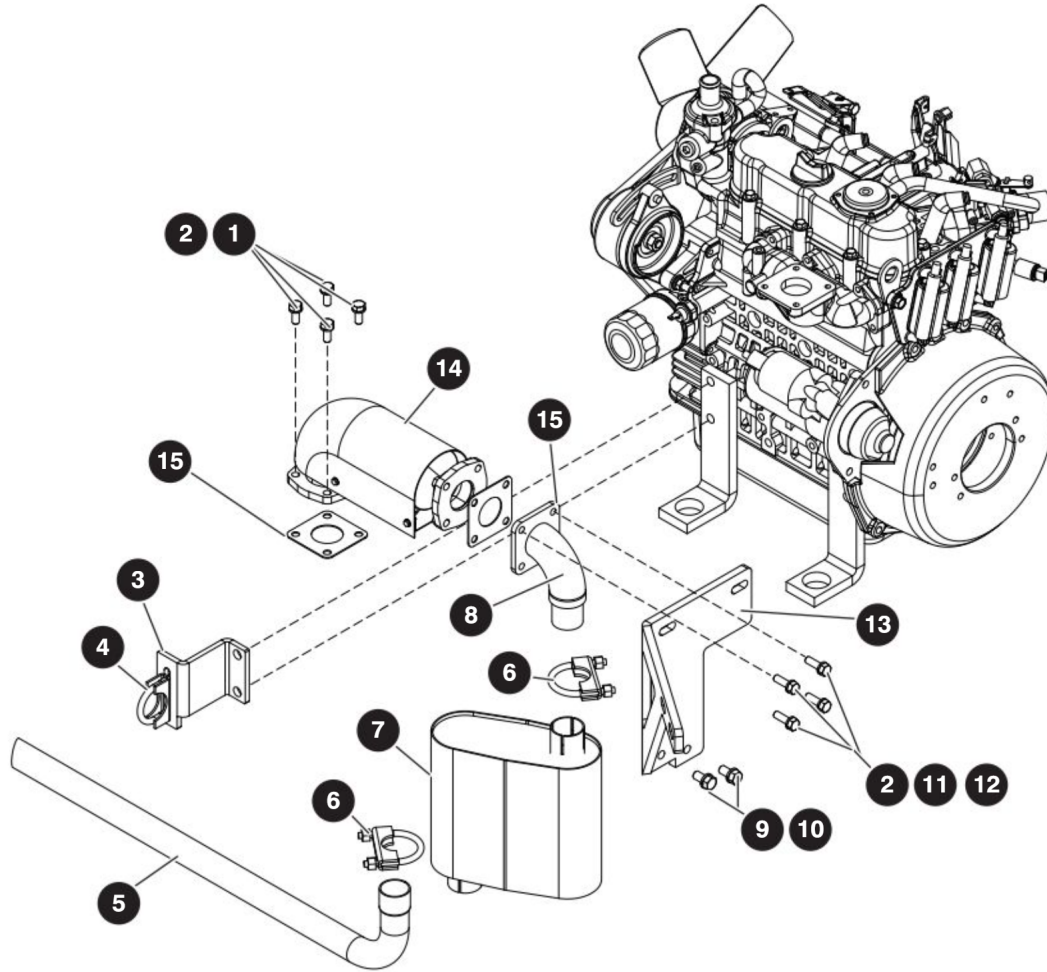
4.2 Air Cleaner - Kubota DF972



M159319AA

Index No.	Skyjack Part No.	Qty.	Description
–	159319	1	Serial number 37009728 and below AIR INTAKE ASSEMBLY (Kubota DF972)
1	159298	1	• TUBE, Air
2	133222	3	• CLAMP, Gear (#32)
3	103886	2	• BOLT, Hex head (5/16"–18 x 1.5", Gr. 5)
4	103999	2	• WASHER, Lock (3/8")
5	103996	2	• WASHER, Flat (5/16")
6	100397	2	• NUT, Hex head (5/16")
7	159297	1	• INTAKE, Air
8	136144	1	AIR CLEANER ASSEMBLY
9	137924	1	• ELEMENT, Air filter
10	136148	1	BRACKET, Air cleaner band

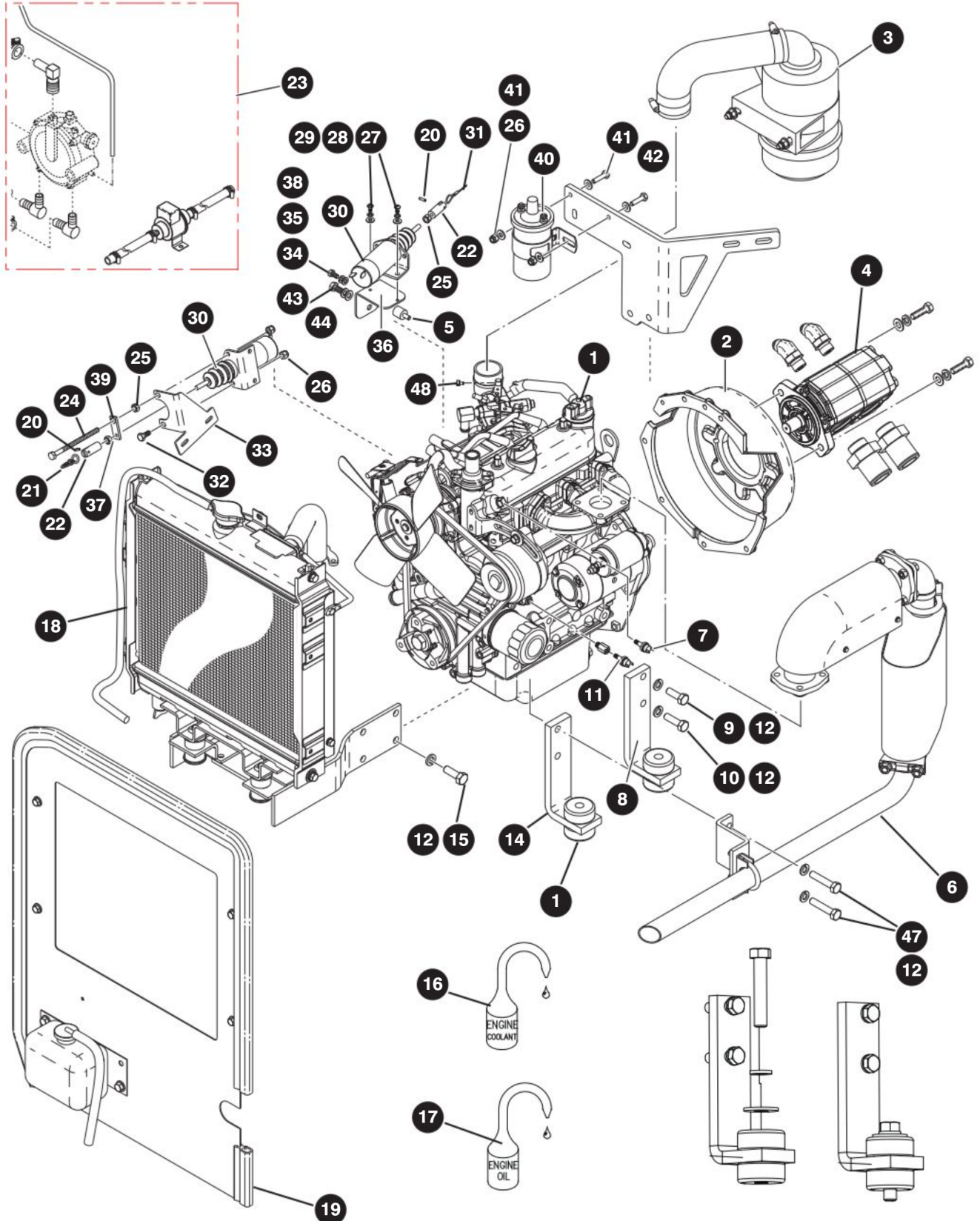
4.3 Exhaust - Kubota DF972



M159316AA

Index No.	Skyjack Part No.	Qty.	Description
Serial number 37009728 and below			
1	133174	4	BOLT, Hex head (M8 x 1.25 x 20 mm, Gr. 5)
2	103404	8	WASHER, Lock (5/16")
3	137657	1	BRACKET, Exhaust
4	136969	1	CLAMP, U-bolt (1.25")
5	159312	1	PIPE, Exhaust
6	142378	2	CLAMP, U-bolt (1.5")
7	158622	1	MUFFLER
8	159317	1	ADAPTER, Exhaust 90°
9	101632	2	BOLT, Hex head (3/8"-16 x 3/4", Gr. 8)
10	103999	2	WASHER, Lock (3/8")
11	103864	4	BOLT, Hex head (5/16"-18 x 1", Gr. 5)
12	100397	4	NUT, Hex head (5/16"-18, Gr. 5)
13	159318DG	1	BRACKET, Exhaust breather
14	158925	1	CATALYST
15	136084	1	GASKET, Muffler

4.4 Engine - Kubota WG752



M199372AB

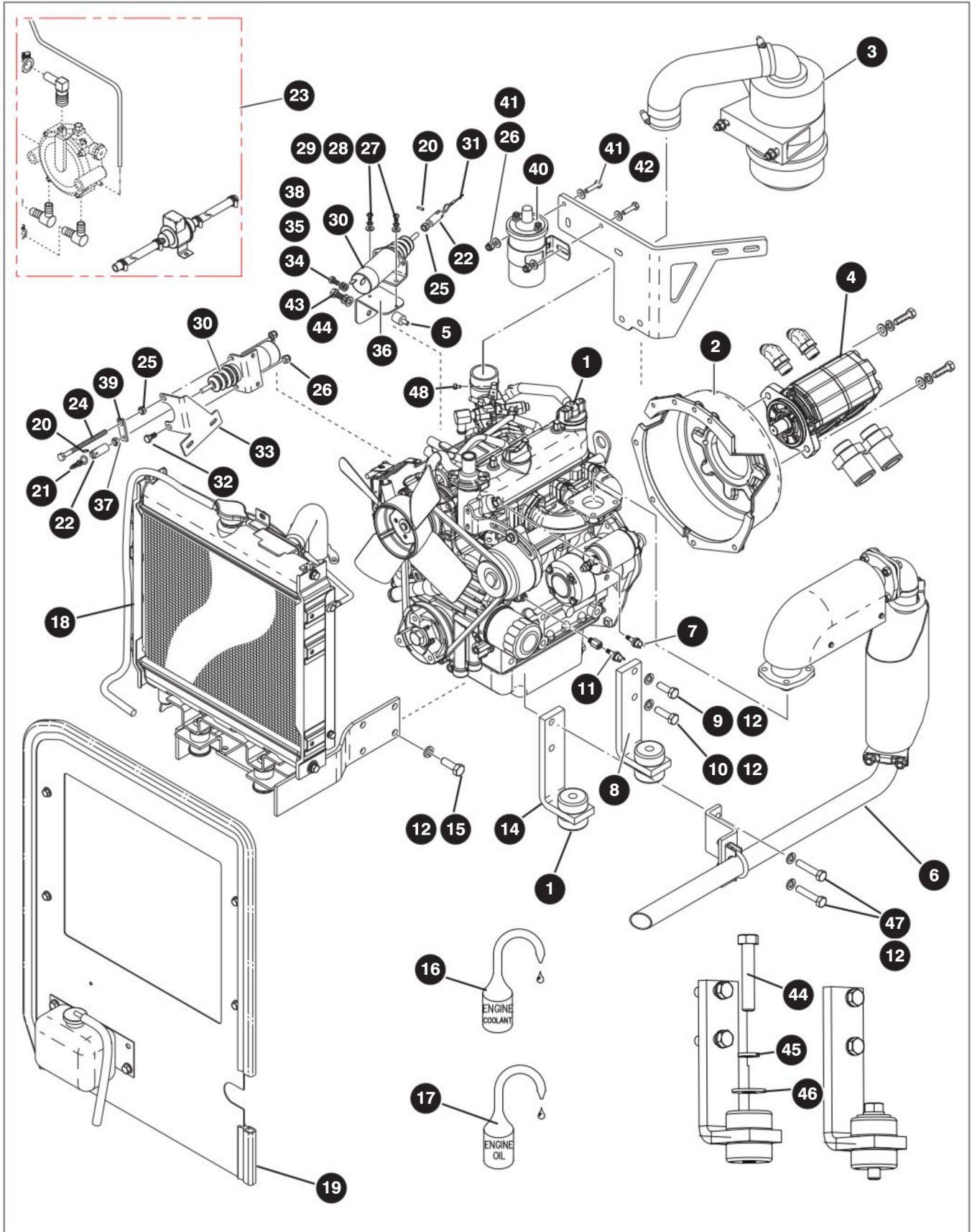
194370AD

SJ6826 RT, SJ6832 RT

4.4 Engine - Kubota WG752

Index No.	Skyjack Part No.	Qty.	Description
			Serial number 37009729 and above
1	213142	1	ENGINE, Kubota (WG752)
	216529	1	• CARBURETOR ASSEMBLY
	221395	1	• • SOLENOID
	221396	1	• • SOLENOID, LPG
	209301	1	• TERMINAL ASSEMBLY
	216530	1	• MANIFOLD, Inlet
	216531	1	• MANIFOLD, Exhaust
	216532	1	• ASSEMBLY, Idler gear
	216533	1	• SHAFT, Idler gear
	216534	1	• FILTER, Oil
	216535	1	• DIPSTICK, Oil level
	216536	1	• STARTER, Engine
	136101	1	• ALTERNATOR
	216538	3	• SPARKPLUG
	216539	3	• CAP, Spark plug
	216540	1	• WIRE, Spark plug, center
	216541	1	• WIRE, Spark plug
	216542	1	• WIRE, Spark plug
	216543	1	• WIRE, Spark plug
	216537	1	• DISTRIBUTOR
	216550	1	• • CAP, Distributor
	216551	1	• • ROTOR
	216544	1	• THERMOSTAT, Engine
	216545	1	• GASKET, Thermostat
	216546	1	• FAN, Pusher
	136112	1	• PULLEY, Fan
	136113	1	• PULLEY, Fan drive
	136114	1	• BELT, Fan
	216547	1	• MANUAL, Operators
	136117	1	• LABEL, CSA
	198922	1	• HARNESS, Wiring
	136118	1	• FILTER, Fuel
	159220	1	• KIT, Electric fuel pump
	216548	1	• PUMP, Water
	216549	1	• GASKET, Water Pump
	221402	1	• PLUG, Drain
	221403	1	• GASKET, Drain Plug
2	149834	1	HOUSING, Bell assembly
	149830	1	• BELL HOUSING
	149833	1	• HUB, Coupling
	149832	1	• FLANGE, Nylon (150 mm)
	149831	1	• KIT, Hardware
3	(Ref.)	–	AIR CLEANER ASSEMBLY (For components, refer to Section 4.5 Air Cleaner - Kubota WG752)
4	(Ref.)	–	HYDRAULIC PUMP ASSEMBLY (For components, refer to Section 4.12 Hydraulic Pump)
5	165927	1	MOUNT, Vibration dampening
6	(Ref.)	–	EXHAUST ASSEMBLY (For components, refer to Section 4.6 Exhaust - Kubota WG752)
7	113400	1	SWITCH, Temperature
8	136032	2	BRACKET, Engine mount (Front left/Rear right)

4.4 Engine - Kubota WG752



M199372AB

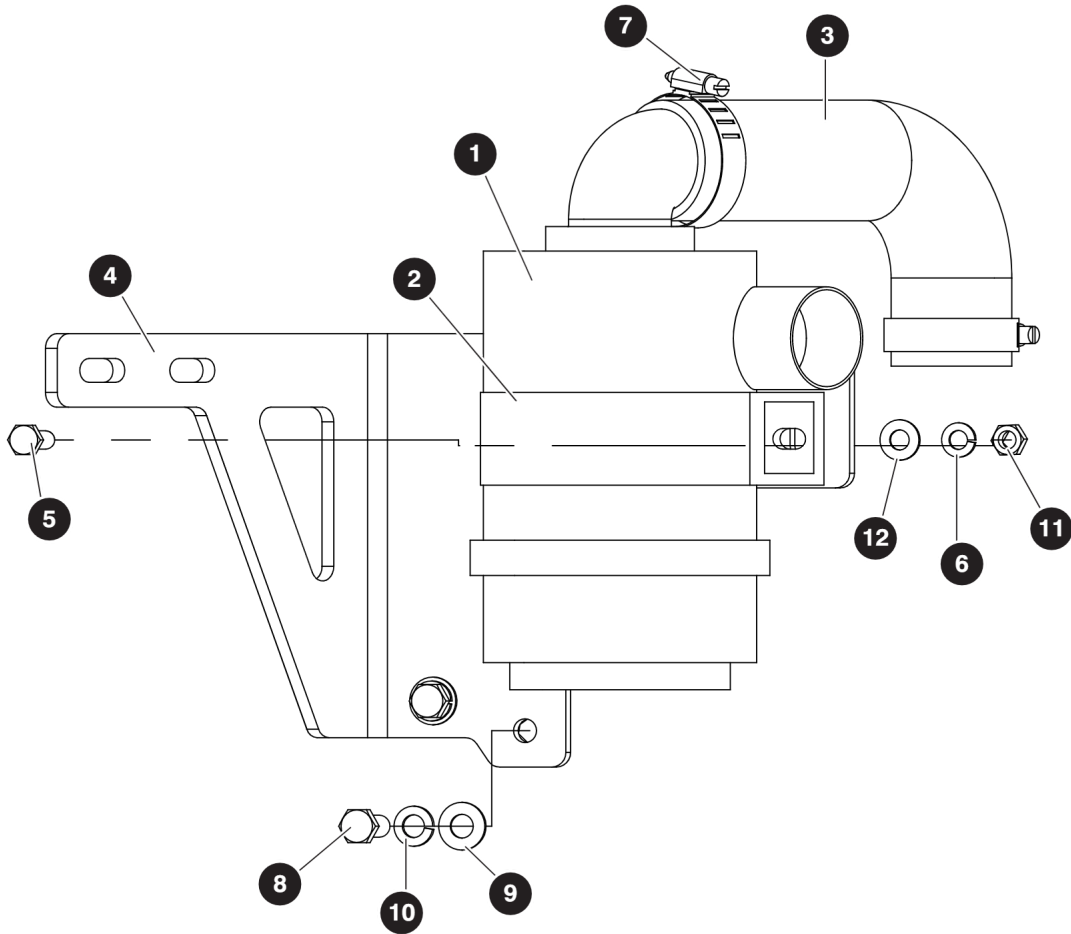
194370AD

SJ6826 RT, SJ6832 RT

4.4 Engine - Kubota WG752

Index No.	Skyjack Part No.	Qty.	Description
9	103850	2	BOLT, Hex head (M10-1.25 x 30 mm, Gr. 8.8)
10	136665	4	BOLT, Hex head (M10-1.25 x 35 mm, Gr. 8.8)
11	102838	1	SWITCH, Oil pressure
12	130884	12	WASHER, Lock (M10)
13	147634	4	MOUNT, Engine vibration control
14	136033	2	BRACKET, Engine mount (Front right/Rear left)
15	103848	4	BOLT, Hex head (M10-1.25 x 20 mm, Gr. 8.8)
16	(Ref.)	1	Coolant, Engine (For components, refer to Section 7.1 Fluid Tables)
17	(Ref.)	1	OIL, Engine (For components, refer to Section 7.1 Fluid Tables)
18	(Ref.)	1	RADIATOR (Kubota DF972/D902/WG752) (For components, refer to Section 4.14 Radiator - WG752)
19	137648	1	• PLATE, Radiator assembly
20	114684	2	PIN, Roll (1/8" diameter x 7/16")
21	116031	1	SWIVEL, Solenoid contactor
22	101860	2	LINKAGE, Throttle attachment
23	(Ref.)	1	ASSEMBLY, Fuel line (For components, refer to Section 4.10 Fuel Line Connections - Kubota DF972 & WG752)
24	120738	1	BOLT, Hex head cap screw (1/4"-20 x 4")
25	103980	1	NUT, Hex head (1/4"-20, Grade B)
26	115649	4	NUT, Nylon lock (1/4"-20)
27	115545	2	SCREW, Round head machine (#10-32 x 3/8")
28	104185	2	WASHER, Lock (#10)
29	104694	2	WASHER, Flat (#10)
30	103007	2	SOLENOID, DC (12 V)
31	116467	1	CABLE, Choke
32	103892	1	BOLT, 1/4"-20 x 5/8" Lg. Gr. 5
33	199076	1	BRACKET, Throttle solenoid
34	933646	1	BOLT, Hex head (M6-1 x 12 mm, Gr. 8.8)
35	121758	14	WASHER, Lock (6 mm)
36	199075	1	BRACKET, Choke solenoid
37	114709	2	NUT, Hex (1/4"-28)
38	133219	1	WASHER, Flat (M6) 12 mm OD
39	113582	1	LIMITER, Solenoid
40	198904	1	COIL, Ignition
41	103995	4	WASHER, Flat 1/4"
42	103857	2	BOLT, Hex head (1/4"-20 x 1" Lg. Gr. 5)
43	933832	4	WASHER, Flat M8 (16 mm OD)
44	108818	4	BOLT, Hex head (1/2-13 GRADE 5 X 2.75)
45	103470	4	WASHER, Lock (1/2 NOM X 0.12)
46	137241	4	WASHER, Fender 1/2" ID
47	216001	2	BOLT, HXHD M10 X 1.25 X 40MM GR8.8
48	137525	1	SCREW, M4 X 6 SL PAN HD/ZP, DIN85
49	221314	1	KIT, Hardware, Bell Housing, WG752 (not shown)
	116218	1	• WASHER, Lock (M8)
	136667	1	• BOLT, Hex head (M8 x 1.25 x 30 mm GRD 8.8, Zinc)
	121059	1	• NUT, Hex (M8 - 1.25)
	221332	1	• BOLT, Socket head (M8 x 1.25 x 25 mm GRD 8.8, Zinc)

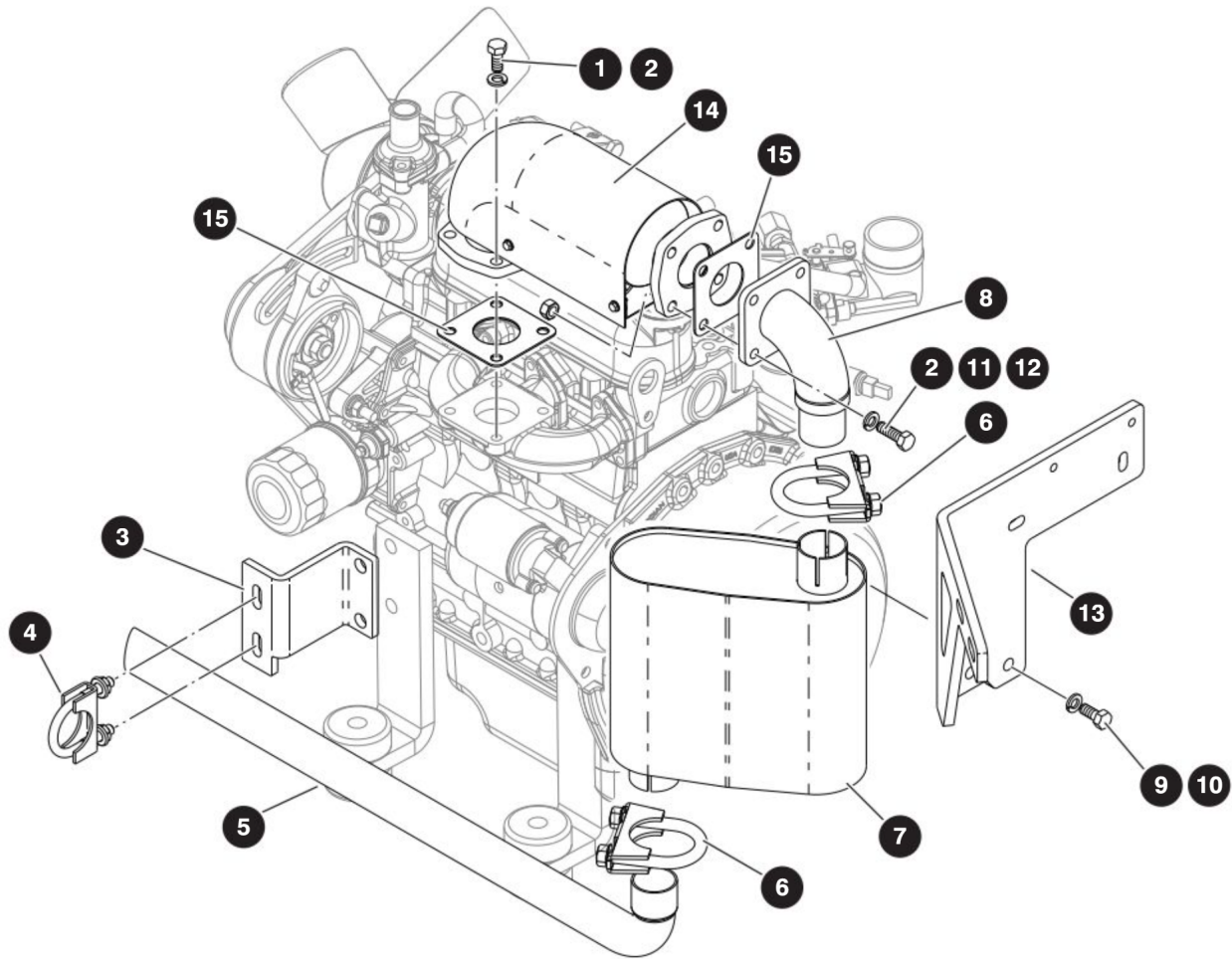
4.5 Air Cleaner - Kubota WG752



M199079AB

Index No.	Skyjack Part No.	Qty.	Description
			Serial number 37009729 and above
–	199079	1	AIR INTAKE ASSEMBLY
1	128601	1	• AIR CLEANER
2	128602	1	• MOUNTING BAND AIR CLEANER
3	197433	1	• INTAKE AIR HOSE
4	199089	1	• EXHAUST/INTAKE BRACKET - WG752
5	112532	2	• BOLT, HXHD 0.312-18 X 1.250 GR5
6	103404	2	• WASHER-LOCK 5/16 NOM X 0.07
7	133222	2	• GEAR CLAMP #32
8	101297	2	• BOLT-HEX HD/ZINC (.38-16 X 1.25 / GR5)
9	103472	2	• WASHER-FLAT / ZINC (.38 SAE)
10	103999	2	• WASHER-LOCK / ZINC (.38)
11	100397	2	• NUT-HEX HD/ZINC (.313-18 / GR5)
12	103996	2	• WASHER-FLAT / ZINC (.31)

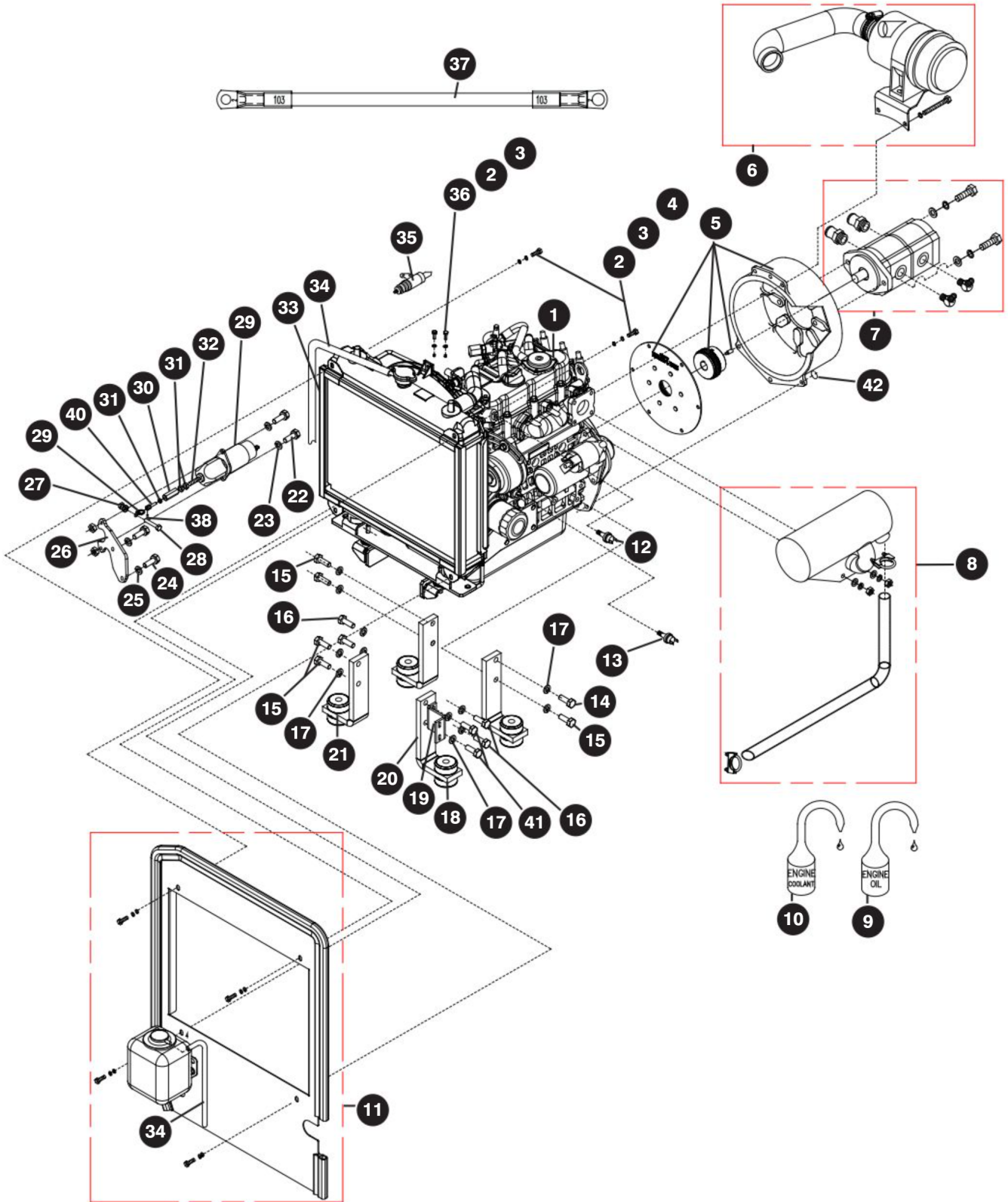
4.6 Exhaust - Kubota WG752



M199095AA

Index No.	Skyjack Part No.	Qty.	Description
Serial number 37009729 and above			
1	133174	4	BOLT, Hex head (M8 x 1.25 x 20 mm, Gr. 5)
2	103404	8	WASHER, Lock (5/16")
3	137657	1	BRACKET, Exhaust
4	136969	1	CLAMP, U-bolt (1.25")
5	199142	1	PIPE, Exhaust
6	142378	2	CLAMP, U-bolt (1.5")
7	158622	1	MUFFLER (Kubota WG752 / DF972)
8	159317	1	ADAPTER, Exhaust 90°
9	101632	2	BOLT, Hex head (3/8"-16 x 3/4", Gr. 8)
10	103999	2	WASHER, Lock (3/8")
11	112532	4	BOLT, Hex head (5/16"-18 x 1", Gr. 5)
12	100397	4	NUT, Hex head (5/16"-18, Gr. 5)
13	199089	1	BRACKET, Exhaust/breather
14	158925	1	CATALYST
15	136084	1	GASKET, Muffler

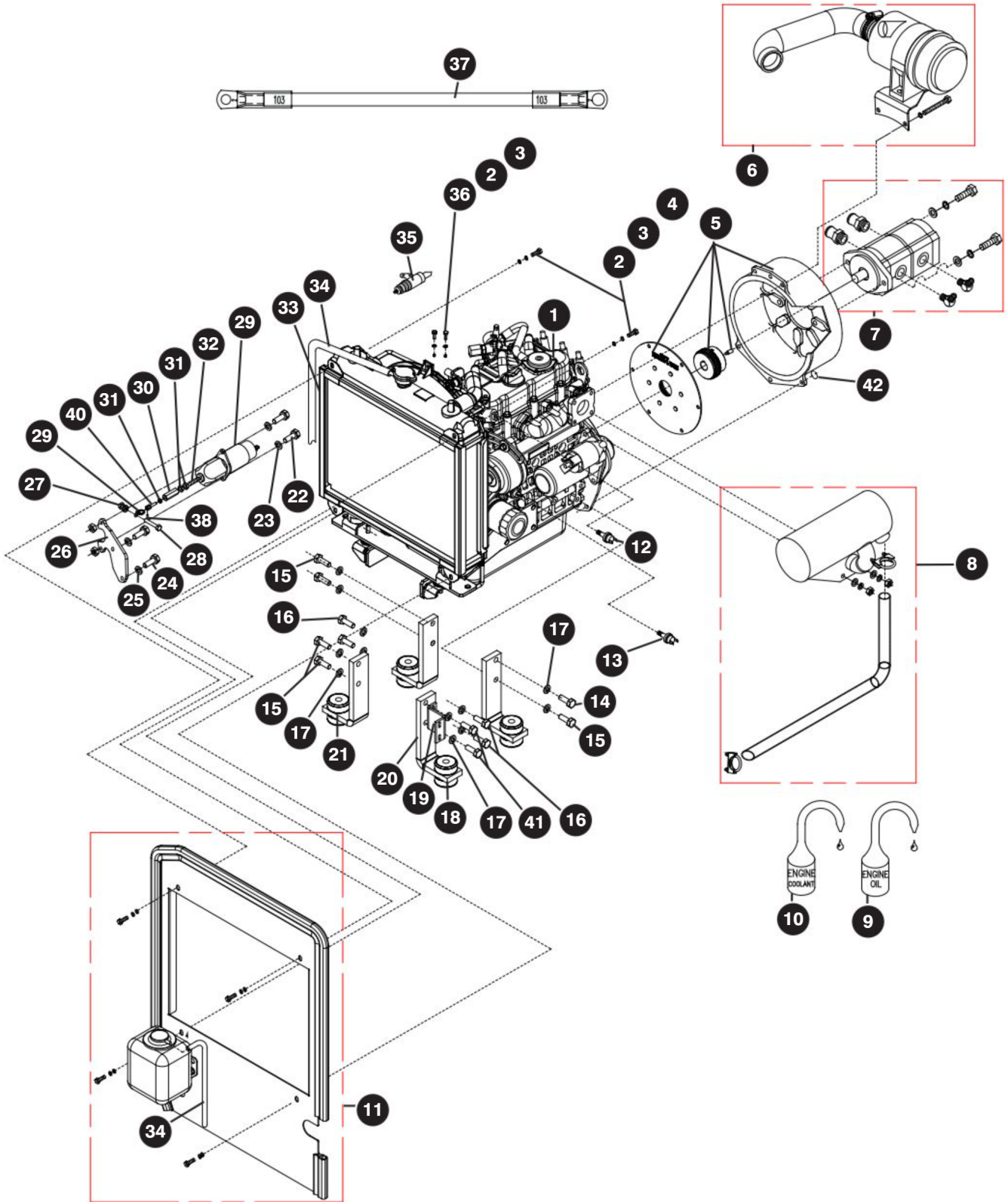
4.7 Engine - Kubota D902



4.7 Engine - Kubota D902

Index No.	Skyjack Part No.	Qty.	Description
1	137651	1	ENGINE, Kubota (D902)
	137839	1	• CRANKCASE
	137840	1	• PAN, Oil
	137841	1	• CYLINDER HEAD
	137842	1	• PUMP, Water
	137843	1	• INLET-MANIFOLD
	137845	1	• MANIFOLD, Exhaust
	137846	1	• COVER, Cylinder head
	137847	1	• FLYWHEEL
	137848	1	• HOUSING, Flywheel
	137849	1	• FILTER, Oil (Inner)
	137850	1	• CARTRIDGE, Oil filter
	137851	1	• DIPSTICK
	137852	1	• PUMP ASSEMBLY, Injection
	137853	1	• PUMP, Fuel transfer
	137854	1	• NOZZLE HOLDER ASSEMBLY
	137855	1	• PLATE, Speed control
	137856	1	• STARTER
	137857	1	• ALTERNATOR
	137858	1	• BRACKET, Alternator
	137859	1	• GUARD, Alternator
	137860	1	• GLOW PLUG
	137861	1	• THERMOSTAT
	137862	1	• COVER, Thermostat
	137863	1	• PULLEY, Fan
	137864	1	• PULLEY, Fan Drive
	137865	1	• BELT, Fan
	137866	1	• MANUAL, Operators
	137867	1	• WARRANTY STATEMENT
	119185	1	• TIMER, Glow lamp
	137873	1	• COUPLER, Alternator assembly
	137649	1	• FAN, Pusher
2	133219	6	WASHER, Flat (M6)
3	121758	6	WASHER, Lock (M6)
4	167051	2	BOLT, Hex head (M6 x 1 x 30 mm)
5	(Ref.)	1	BELL HOUSING (Kubota DF972) (For components, refer to Section 4.7 Engine - Kubota D902)
6	(Ref.)	1	AIR CLEANER ASSEMBLY (For components, refer to Section 4.8 Air Cleaner - Kubota D902)
7	(Ref.)	1	HYDRAULIC PUMP ASSEMBLY (For components, refer to Section 4.12 Hydraulic Pump)
8	(Ref.)	1	EXHAUST SYSTEM ASSEMBLY (For components, refer to Section 4.9 Exhaust - Kubota D902)
9	(Ref.)	1	OIL, Engine (For components, refer to Section 7.1 Fluid Tables)
10	(Ref.)	1	SOLUTION, Engine coolant (Antifreeze) (For components, refer to Section 7.1 Fluid Tables)

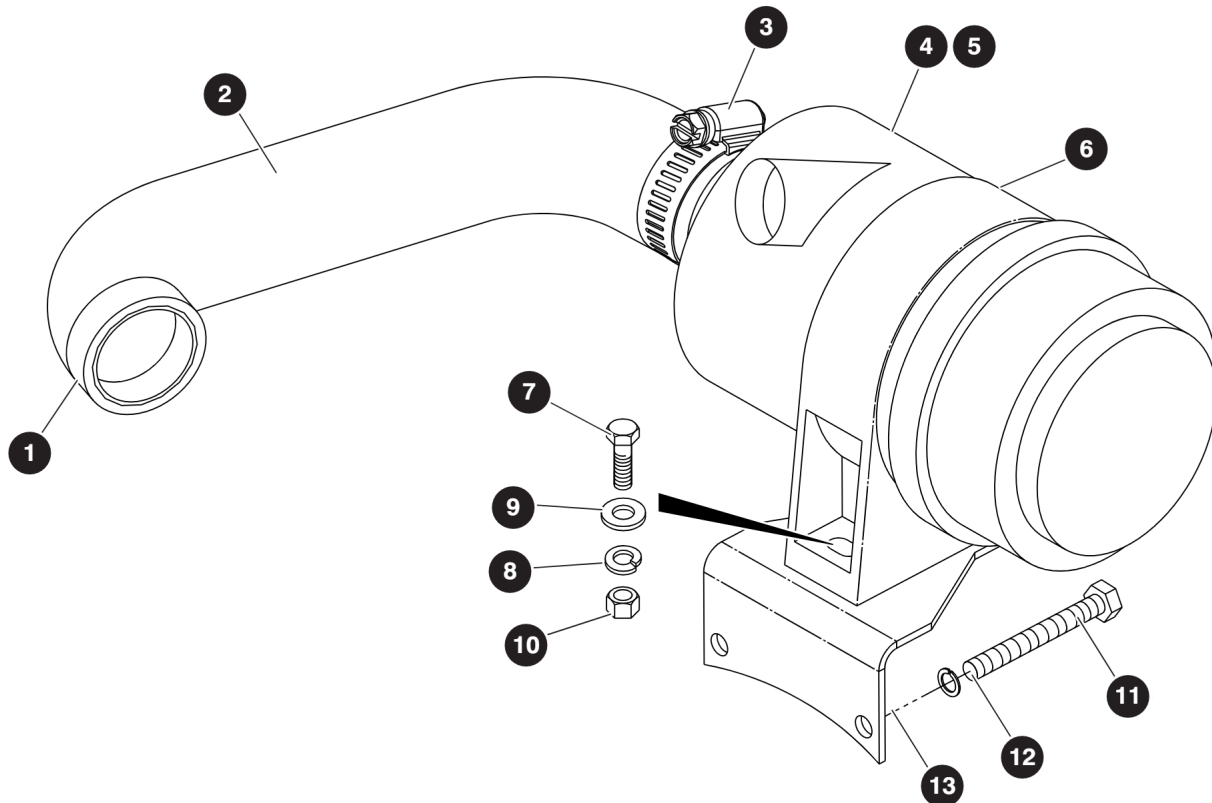
4.7 Engine - Kubota D902



4.7 Engine - Kubota D902

Index No.	Skyjack Part No.	Qty.	Description
11	(Ref.)	1	ASSEMBLY, Radiator plate (For components, refer to Section 4.13 Radiator - DF972)
12	113400	1	SWITCH, Temperature
13	102838	1	SWITCH, Oil pressure
14	103850	5	BOLT, Hex head (M10 – 1.25 x 30 mm, Gr. 8.8)
15	136665	1	BOLT, Hex head (M10 – 1.25 x 35 mm, Gr. 8.8)
16	103848	4	BOLT, Hex Head (M10 – 1.25 x 20 mm, Gr. 8.8)
17	130884	12	WASHER, Lock (M10)
18	147634	4	MOUNT, Engine vibration control
19	137657DG	1	BRACKET, Exhaust
20	136033DG	2	BRACKET, Engine mount (Front right/Rear left)
21	136032DG	2	BRACKET, Engine mount (Front left/Rear right)
22	103856	2	BOLT, Hex head (1/4"-20 x 3/4")
23	104000	2	WASHER, Lock (1/4")
24	133869	2	BOLT, Hex head (M8-1.25 x 25 mm, Gr. 8.8, ZP, DIN933)
25	116218	2	WASHER, Lock (M8)
26	137200DG	1	BRACKET, Solenoid
27	103980	2	NUT, Hex head (1/4"- 20, Grade B)
28	103859	1	BOLT, Hex head (1/4"-20 x 1.5", Gr. 5)
29	207117	1	SOLENOID, Throttle
30	137915	1	NUT, Coupling (1/4"-28 x 1.25")
31	106368	3	NUT, Hex head jam (1/4"-28, Grade B)
32	137918	1	ROD, Threaded (1/4"-28 x 2.25")
33	(Ref.)	1	RADIATOR ASSEMBLY (For components, refer to Section 4.13 Radiator - DF972)
34	102984	46"	LINE, Fuel (5/16")
35	139321	1	SOLENOID, Fuel shutdown
36	104608	2	BOLT, Hex head (M6 – 1 x 16 mm, Gr. 5)
37	139252	1	CABLE, Welding (#6 GA)
38	114684	1	ROLL PIN, 1/8" x 7/16"
39	116031	1	SWIVEL for 1000 Solenoid contactors
40	207062	1	LINKAGE, Solenoid
41	216001	2	BOLT, HXHD M10 X 1.25 X 40MM GR8.8
42	933832	1	WASHER, FLAT M8-OD 16.0
43	221313	1	KIT, Bell housing hardware - Kubota D902 (not shown)
	116218	5	• WASHER, Lock (M8)
	221333	2	• BOLT, Socket head (M8 x 1.25 x 30, gr 8.8)
	136667	1	• BOLT, Hex head (M8 x 1.25 x 30, gr 8.8)
	121059	1	• NUT, Hex head (M8 x 1.25, gr 5)
	137895	2	• BOLT, Hex head (M8 x 1.25 x 35, gr 8.8)

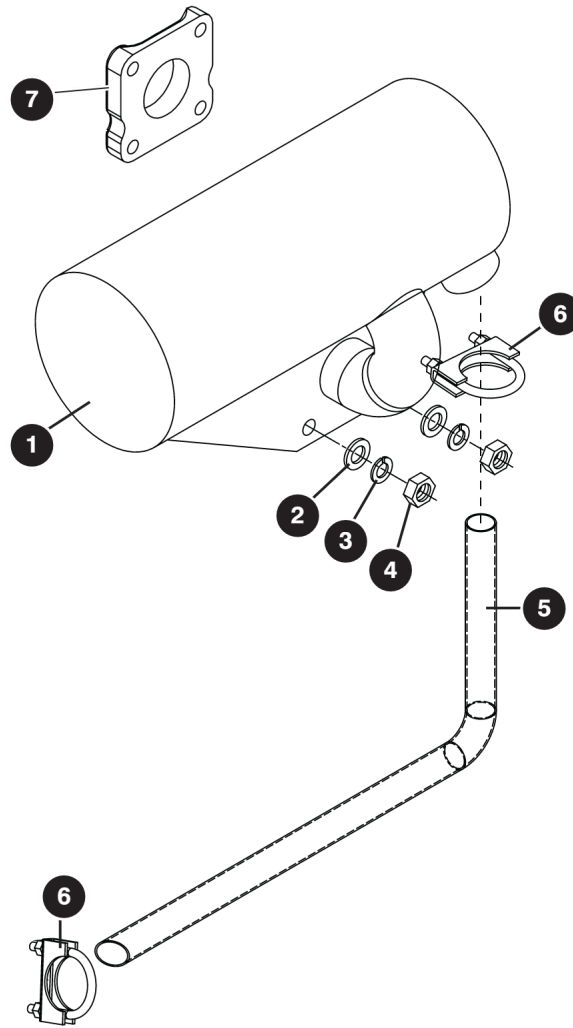
4.8 Air Cleaner - Kubota D902



M137891AB

Index No.	Skyjack Part No.	Qty.	Description
-	-	-	AIR CLEANER ASSEMBLY (Kubota D902)
1	104528	1	CLAMP, Gear (#28)
2	137893	1	HOSE, Inlet
3	133222	1	CLAMP, Gear (#32)
4	136144	1	AIR CLEANER ASSEMBLY
5	137924	1	• FILTER ELEMENT
6	136148	1	BRACKET, Air Cleaner Band
7	112532	2	BOLT, HEX HD (5/16"-18 X 1/4" - Gr.5)
8	103404	2	WASHER, Lock 5/16"
9	103996	2	WASHER, Flat (M8 - ZN)
10	100397	2	NUT, HEX HD (5/16"-18 Gr.5)
11	137895	2	BOLT, Hex head (M8-1.25 x 35 mm, Gr. 8.8, ZP)
12	116218	2	WASHER, Lock (M8)
13	137120DG	1	BRACKET, Air cleaner

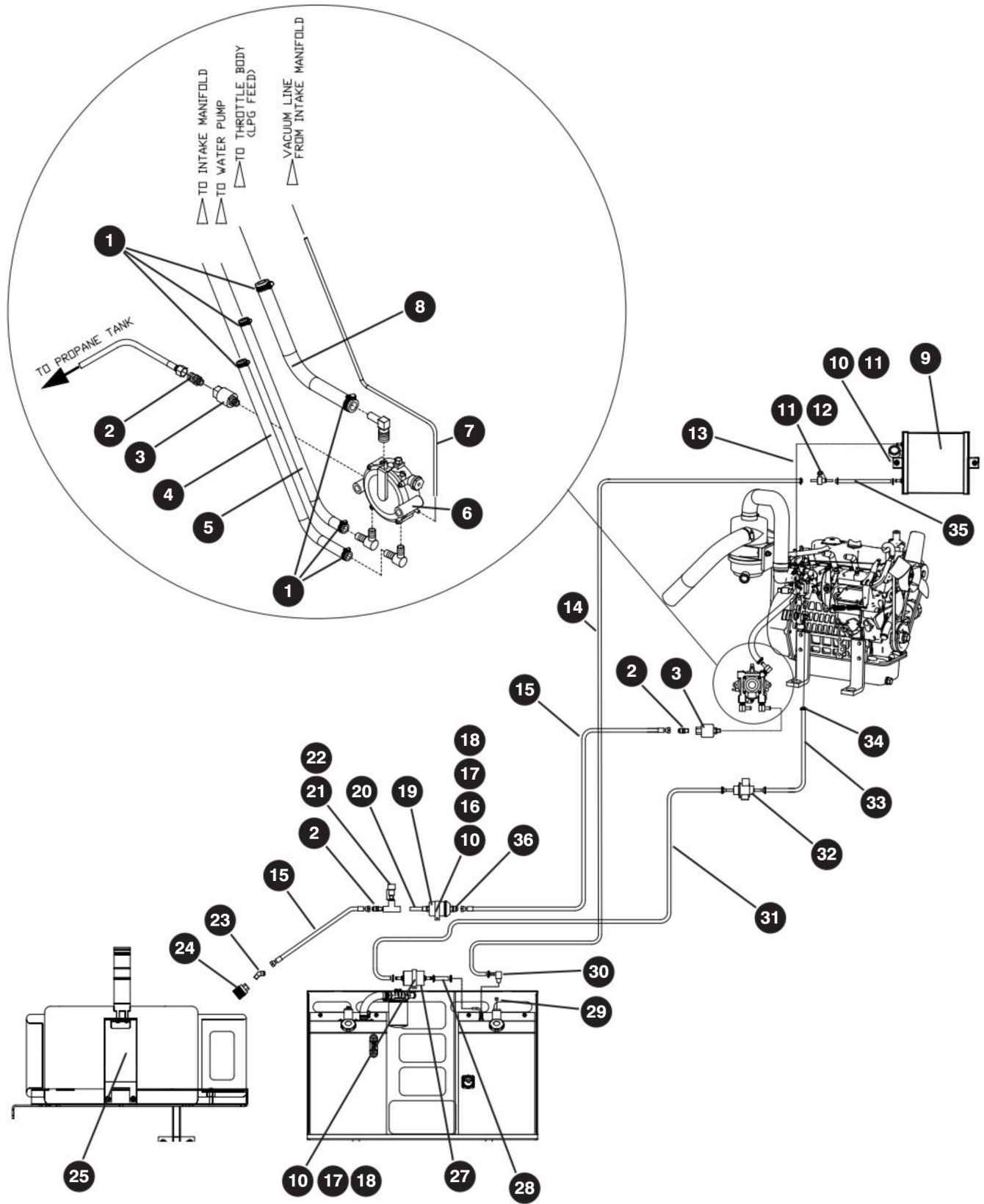
4.9 Exhaust - Kubota D902



M137194AA

Index No.	Skyjack Part No.	Qty.	Description
1	136039	1	MUFFLER, Horizontal
	139447	1	MUFFLER, Diesel purifier (Kubota D902) - Diesel scrubber option
2	127940	2	WASHER, Flat (8 mm)
3	116218	4	WASHER, Lock (M8)
4	121059	2	NUT, Hex Head (M8-1.25)
5	137642	1	TUBE, Exhaust (Kubota D902)
6	136969	2	CLAMP, Exhaust (1-1/4")
7	137844	1	GASKET, Exhaust (Kubota D902)

4.10 Fuel Line Connections - Kubota DF972 & WG752



M137194AA_1_M159331AC

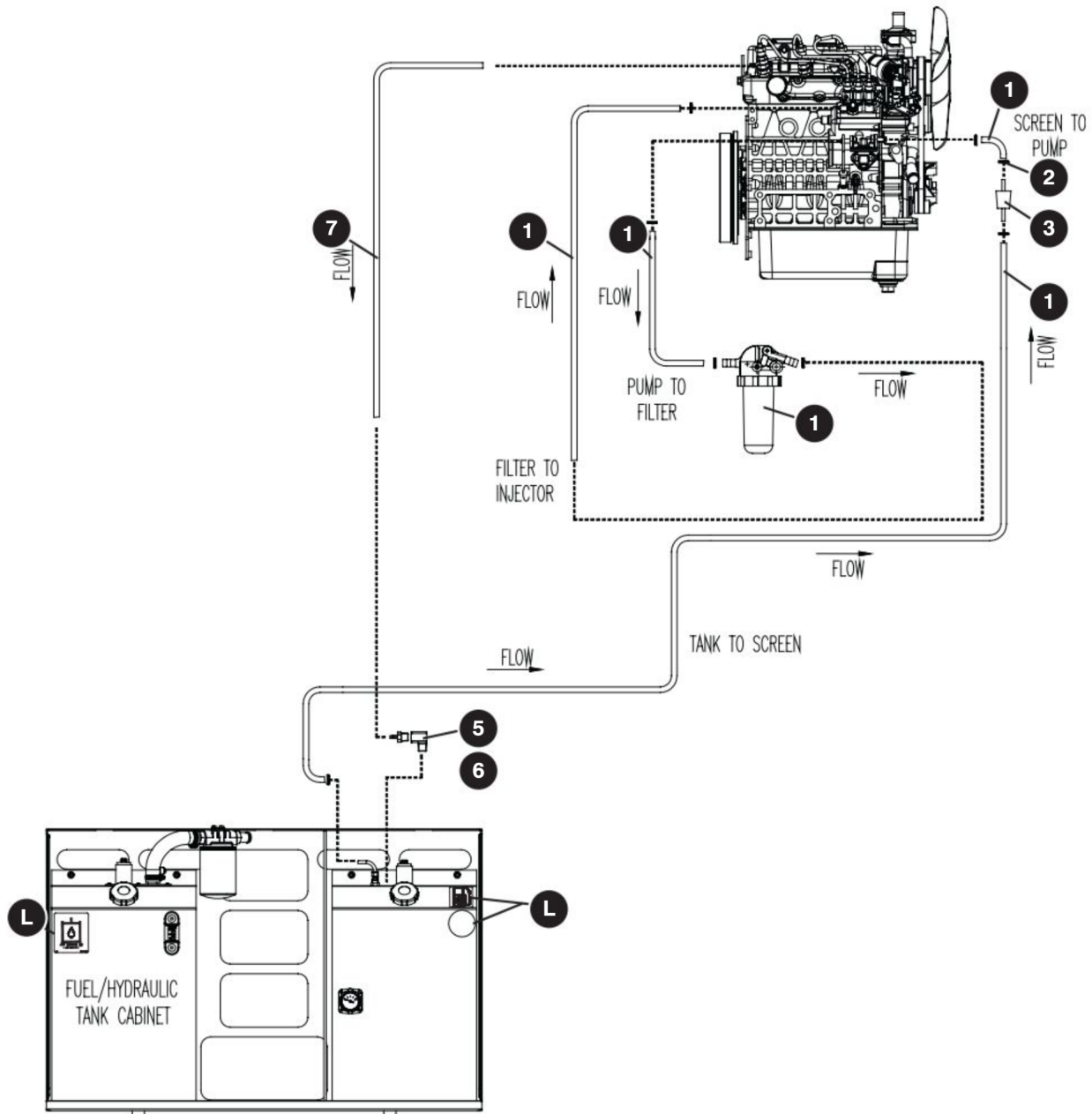
194370AD

SJ6826 RT, SJ6832 RT

4.10 Fuel Line Connections - Kubota DF972 & WG752

Index No.	Skyjack Part No.	Qty.	Description
1	102519	2	CLAMP, Gear (#6)
2	103156	2	FITTING, Brass (48-6B)
3	125793	1	VALVE, Shut-off (Propane)
4	300797	25"	HOSE (3/8", 200 psi)
5	300797	22"	HOSE (3/8", 200 psi)
6	136122	1	VAPORIZER, LPG
7	102660	24"	HOSE, Fuel Line (1/8")
8	158859	1	HOSE, LPG and NG (1/2" ID)
9	158920	1	CANISTER, Evaporator
10	103995	3	WASHER, (1/4")
11	115649	3	NUT, Lock, Nylon/zinc 0.25-20 grade 5
12	158924	1	VALVE, 2 way
13	923786	72"	HOSE, Fuel
14	142405	120"	LINE, Fuel (5/16")
15	137633	2	HOSE, Propane
16	143513	1	CLAMP
17	103983	1	NUT, (1/4"-20)
18	104000	1	WASHER, Lock (1/4")
19	142300	1	FILTER, Liquid propane
20	143478	1	FITTING, Brass nipple (04 NPTM x 2" long)
21	111622	1	CAP, Rain
22	300799	1	VALVE, Propane relief
23	103159	1	FITTING, Elbow 45° (brass, 06 SAE 45M - 04 NPTM)
24	103006	1	COUPLER, Quick female
25	(Ref.)	-	PROPANE TRAY ASSEMBLY (For components, refer to Section 3.3 Propane Tray - ANSI/CSA)
26	132919	1	FITTING, Tee (brass, 04 NPTM)
27	136118	1	FILTER, Fuel
28	142405	3"	LINE, Fuel (5/16")
29	139171	1	PLUG, Hollow hex (06 NPT)
30	102907	1	FITTING, Brass 90°, 5/16 barb x 1/4 NPT
31	142405	100"	LINE, Fuel (5/16")
32	159220	1	PUMP, Electric fuel
33	142405	16"	LINE, Fuel (5/16")
34	103321	10	CLAMP, Gear (#4)
35	142405	4"	LINE, Fuel (5/16")
36	124656	1	FITTING, LPG - 1/4" FPT - 3/8" - Male 45 Deg Flare (Kubota WG752) (ANSI/CSA)

4.11 Fuel Line Connections - Kubota D902



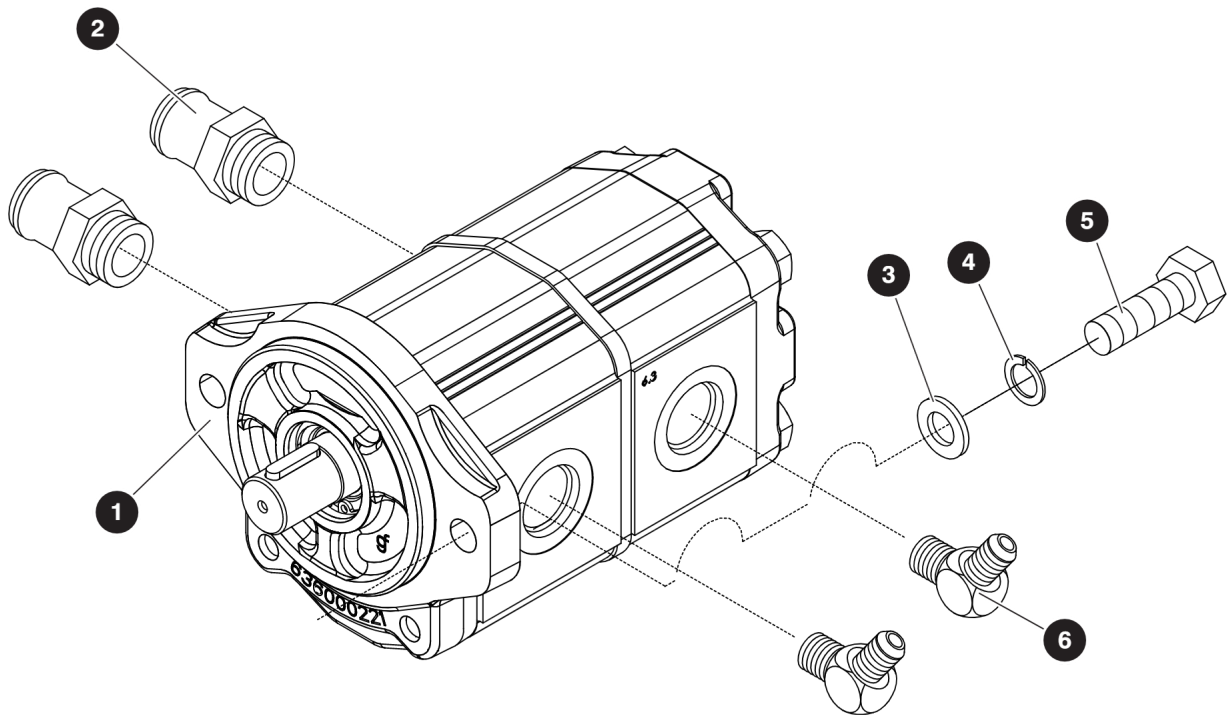
M137880AD

Index No.	Skyjack Part No.	Qty.	Description
1	142405	144"	LINE, Fuel (5/16")
2	103321	8	CLAMP, Gear (#4)
3	139254	1	FILTER, Pre-fuel
4	(Ref.)	1	FUEL FILTER ASSEMBLY (For components, refer to Section 3.21 Engine to Tray Assembly - Kubota D902)
5	103164	1	FITTING, Elbow (Brass, 04 NPTF - 04 NPTM)
6	103176	1	FITTING, (1/8" BAR-1/4" NPT, #125-2B)
7	102660	100"	LINE, Fuel (1/8")
L	(Ref.)	1	LABELS (For components, refer to Section 6.1 Label Kits)

194370AD

SJ6826 RT, SJ6832 RT

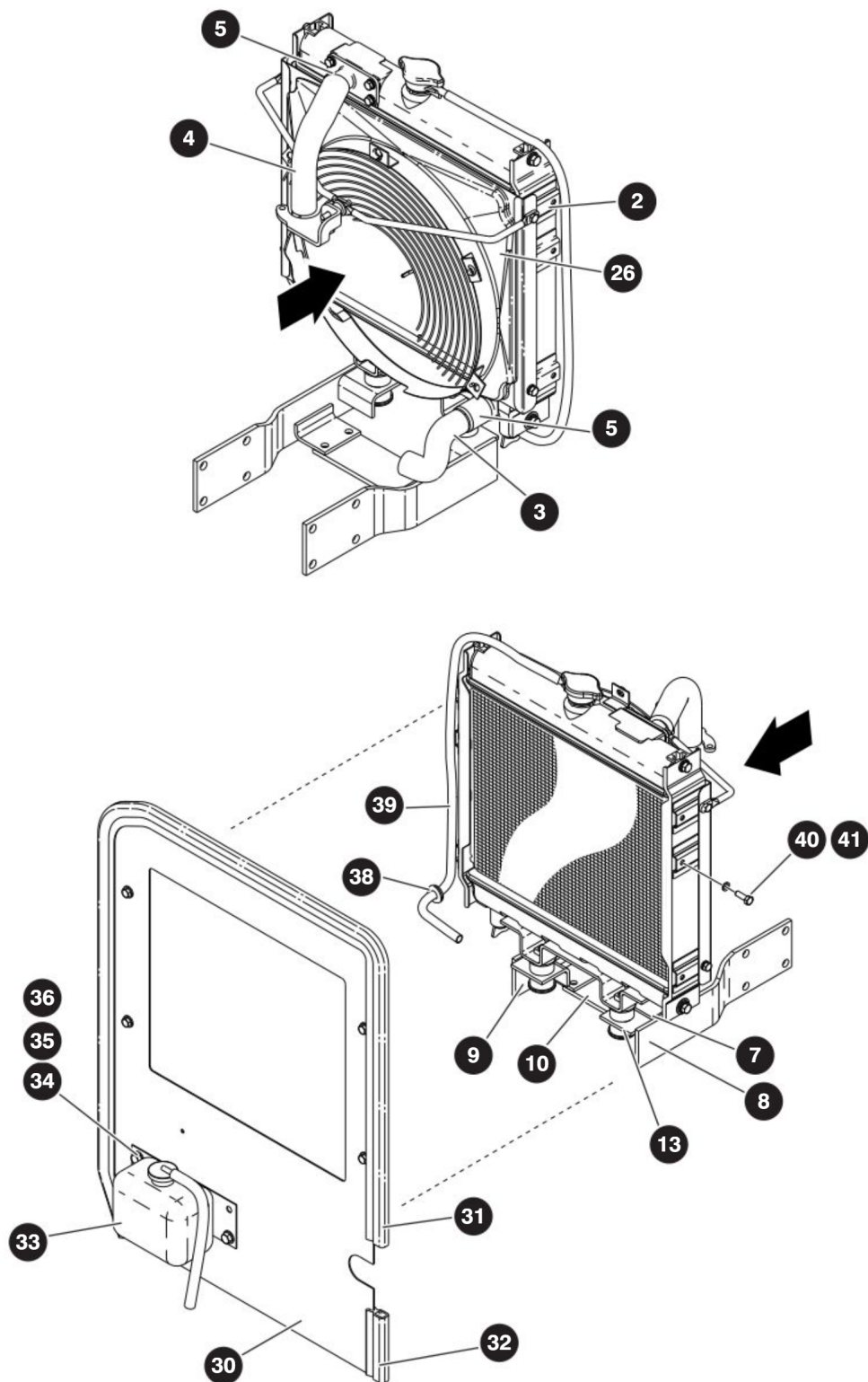
4.12 Hydraulic Pump



M161943AA

Index No.	Skyjack Part No.	Qty.	Description
1	161943	1	PUMP, Hydraulic, tandem gear (11/6.4 cc)
2	114325	2	FITTING, Suction port
3	103472	2	WASHER, Flat (3/8")
4	103999	2	WASHER, Lock (3/8")
5	101297	2	BOLT, Hex head (3/8"-16 x 1.25", Gr. 5)
6	120054	2	FITTING, Pressure port (37 45 10-8 SAE)

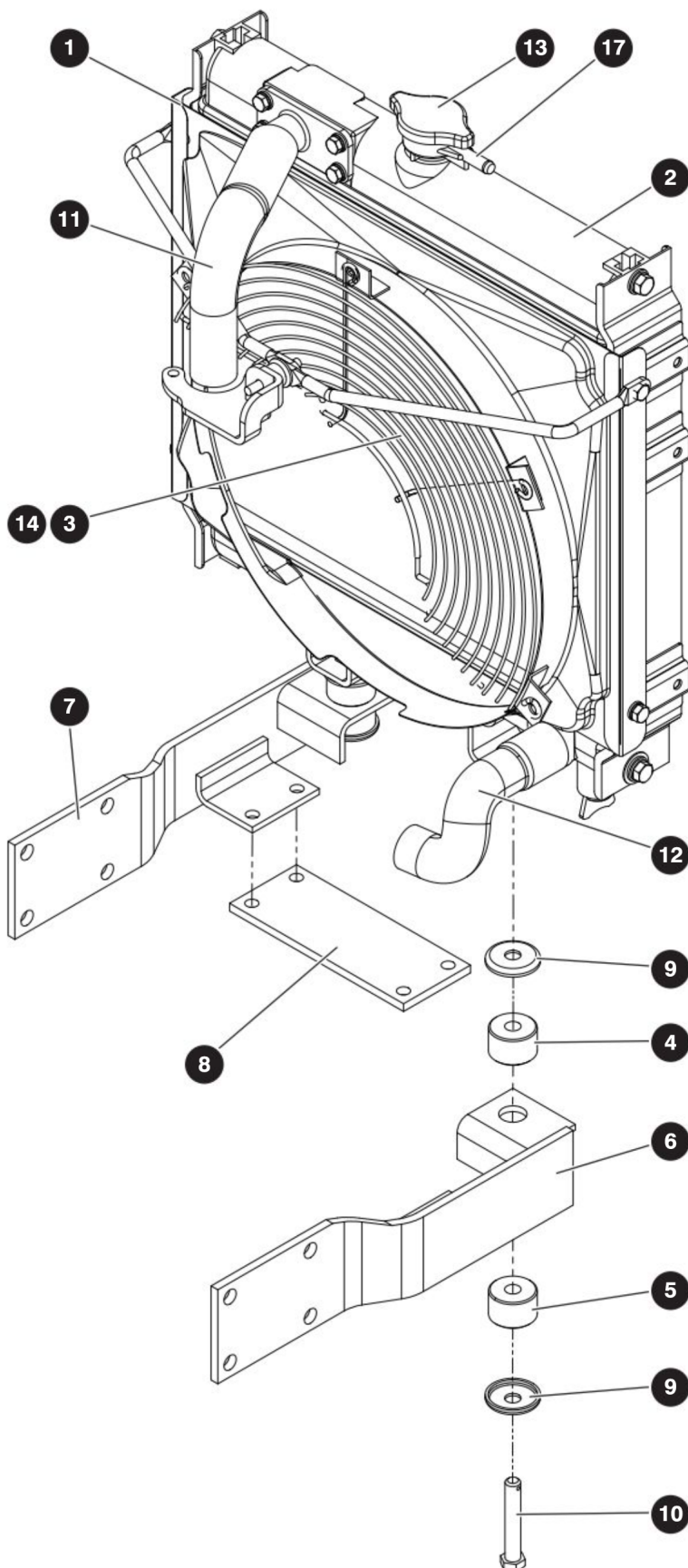
4.13 Radiator - DF972



4.13 Radiator - DF972

Index No.	Skyjack Part No.	Qty.	Description
1	—	1	RADIATOR, Assembly, Kubota
2	136123	1	• Radiator
—	136124	1	• LABEL, Caution
—	136125	1	• LABEL, Caution
3	136126	1	• HOSE, Lower water
4	136127	1	• HOSE, Upper water
5	103320	4	• CLAMP, Gear (#16)
6	133223	4	• BOLT, Hex head (M16 x 1 x 20 mm)
7	136130	2	• CUSHION
8	136131	1	• SUPPORT 1, Radiator
9	136132	1	• SUPPORT 2, Radiator
10	136133	1	• BRACKET, Radiator stay
11	136134	2	• BRACKET, Radiator stay sub
12	136135	4	• BOLT, Hex head (M8–1.25 x 18 mm, Gr. 8.8, ZP)
13	136136	2	• CUSHION
14	121059	4	• NUT, Hex (M8–1.25)
15	116218	10	• WASHER, Lock (M8)
16	136139	1	• BRACKET 2, Radiator
17	136667	2	• BOLT, Hex head (M8–1.25 x 30 mm, Gr. 8.8, ZP)
18	136141	1	• CUSHION
19	800354	2	• NUT, Hex (M6)
20	121758	AR	• WASHER, Lock (M6)
21	136183	1	• SUPPORT IN, Radiator
22	136184	4	• COLLAR
23	136185	2	• BOLT, Hex head (M6–1 x 30 mm, Gr. 8.8, ZP)
24	136186	1	• SUPPORT EX, Radiator
25	104608	2	• BOLT, Hex head (M6 – 1 x 16 mm, Gr. 5)
26	136188	1	• COVER, Fan
27	133219	2	• WASHER, Flat (M6)
28	136190	2	• STOPPER, Radiator
29	139777	4	• SPACER, (6 mm length x 6.2 mm ID)
30	198969	1	• PLATE, Radiator
31	137643	1	• TRIM, Rubber long
32	137647	1	• TRIM, Rubber short
33	147142	1	• RESERVOIR, Coolant
34	103887	2	• BOLT, Hex head (5/16"–18 x 3/4", Gr. 5)
35	103996	2	• WASHER, Flat (5/16")
36	103984	2	• NUT, Hex head (5/16"–18, Gr. 5)
37	103404	2	• WASHER, Lock (5/16")
38	103014	1	• GROMMET
39	102984	1	• HOSE, Drain
40	600723	4	• BOLT, Hex Head (M6–1 x 10 mm Gr. 8.8)
41	121758	4	• WASHER, Lock M6

4.14 Radiator - WG752



M198903AA-1

194370AD

120

SJ6826 RT, SJ6832 RT

SKYJACK

4.14 Radiator - WG752

Index No.	Skyjack Part No.	Qty.	Description
-	198903	1	RADIATOR - WG752
1	223206	1	• ASSY RADIATOR
2	224566	1	• • RADIATOR
3	224697	1	• • COVER, Fan
4	224698	2	• • CUSHION
5	224699	2	• • CUSHION
6	224700	1	• • SUPPORT, Radiator
7	224701	1	• • SUPPORT, Radiator
8	224702	1	• • STAY
9	224705	4	• • WASHER
10	224706	2	• • BOLT, Sems
11	224707	1	• • PIPE, Water
12	224708	1	• • PIPE, Water
13	224691	1	• CAP, Radiator
14	224692	1	• SHROUD, Fan
15	224693	1	• PLUG, Drain (not shown)
16	224694	1	• O RING (not shown)
17	224695	1	• PIPE, Water over flow
18	224696	1	• LBL, Radiator (not shown)

Section 5 – Optional Equipment

5.1 *Outrigger/Generator Control Box*

5.2 *Electrical Harness Connections - Outriggers*

5.3 *Front and Rear Outriggers*

5.4 *Outrigger Assembly*

5.5 *Outrigger Cylinder*

5.6 *Hydraulic Hose Connections - Outriggers*

5.7 *Outrigger Manifold*

5.8 *Inverter 800 W*

5.9 *Hydraulic Generator - Harrison*

5.9 *Hose Connections - Harrison Hydraulic Generator*

5.10 *Hydraulic Generator - Fabco & Control Fluid*

5.11 *Hose Connections - Fabco & Control Fluid Generators*

5.12 *Hydraulic Generator Relay*

5.13 *Air Hose to Platform*

5.14 *Cold Weather Start - DF972/D902*

5.15 *Cold Weather Start - WG752*

5.16 *Telematics - ZTR*

5.17 *Positive Air Shut Off*

5.18 *Tool Caddy*

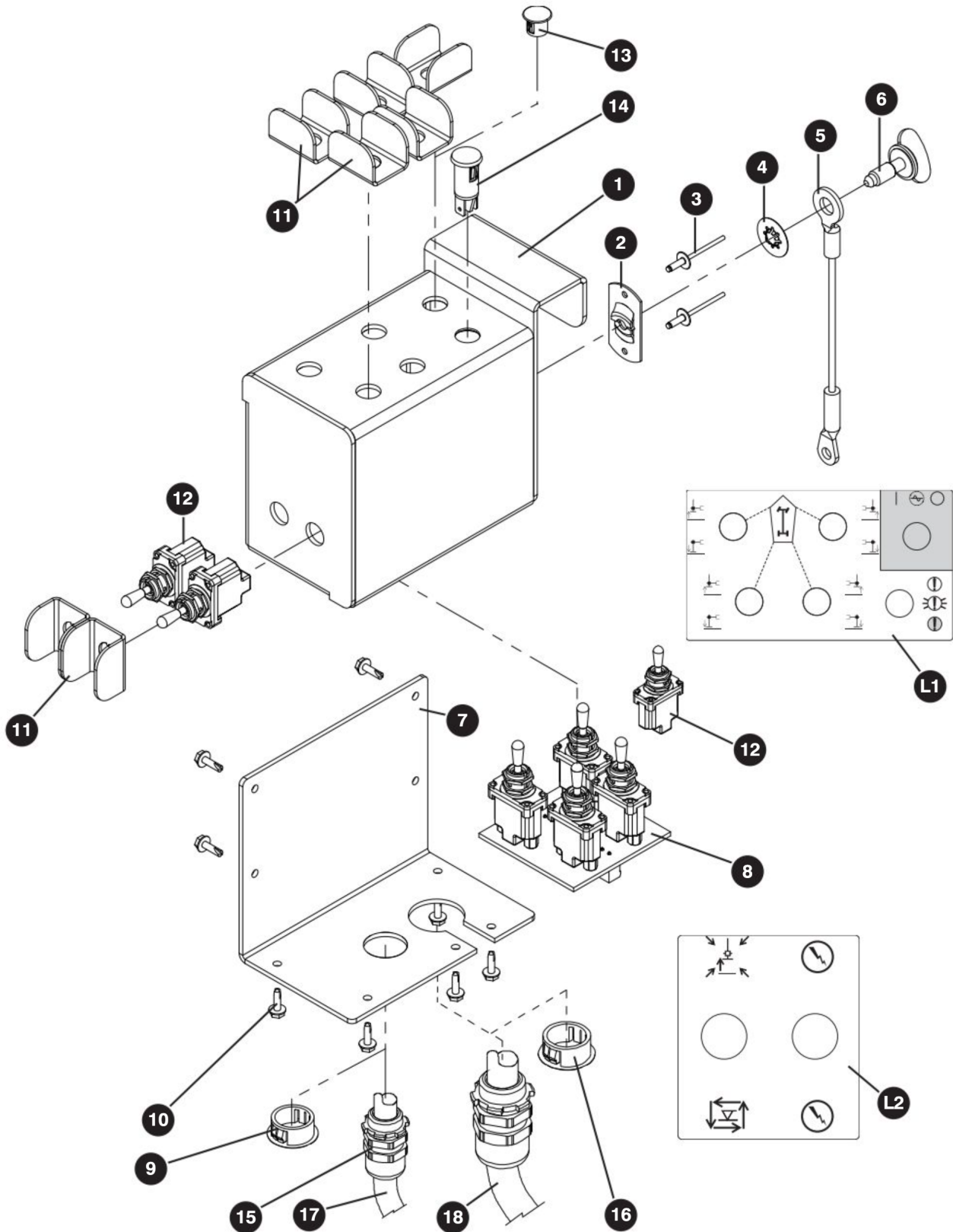
5.19 *Heavy Duty Pipe Rack*

5.20 *Secondary Guarding Lift Enable Kit*

5.21 *Elevate Telematics*

5.22 *Cabinet Locking Service Kit*

5.1 Outrigger/Generator Control Box



M129290_1AA_133227AA_133228AA

194370AD

124

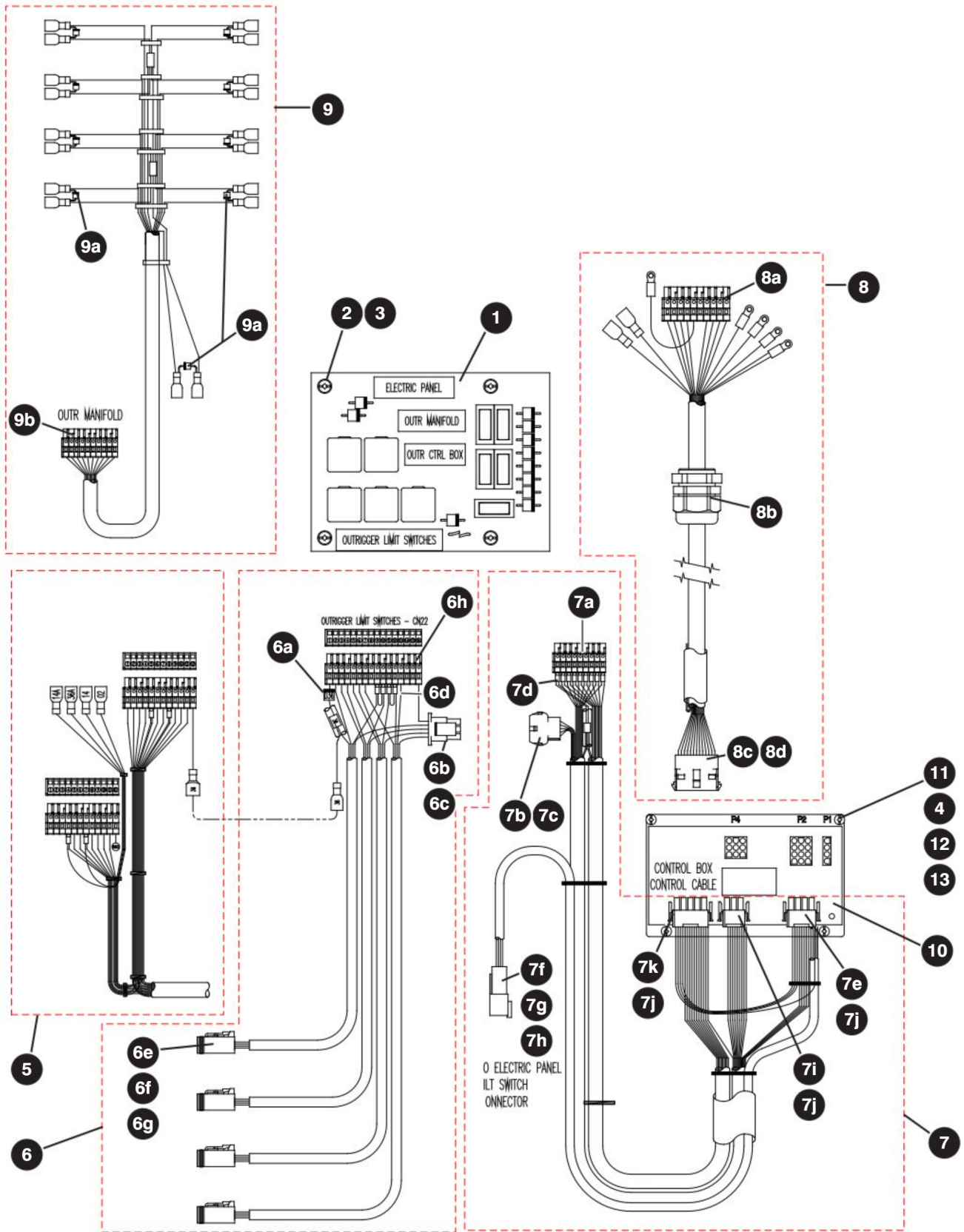
SJ6826 RT, SJ6832 RT

SKYJACK

5.1 Outrigger/Generator Control Box

Index No.	Skyjack Part No.	Qty.	Description
A	129300	1	CONTROL BOX ASSEMBLY, OUTRIGGERS
B	132802	1	CONTROL BOX ASSEMBLY, GENERATOR
C	129301	1	CONTROL BOX ASSEMBLY, OUTRIGGERS and GENERATOR
1	132811	1	• WELDMENT, Control box
2	120269	1	• RECEPTACLE, Screw captive
3	119945	2	• RIVET, Large aluminum pop
4	120270	1	• RETAINER, Screw captive
5	120277	1	• LANYARD, Nylon coated (6")
6	120268	1	• SCREW, Captive wing head
7	129289	1	• WELDMENT, Bottom Cover
8	121664	1	• BOARD, Outrigger control, A, C
9	102853	4	• • SWITCH, Toggle
10	102956	1	• PLUG, Snap-in hole (7/8"), A
11	112327	9	• SCREW, Hex head, self tapping (#8-18 x 1/2")
12	111181	6	• GUARD, Toggle Switch
13	102853	2	• SWITCH, Toggle, A
14	114377	1	• SWITCH, Toggle, B
15	133133	3	• SWITCH, Toggle, C
16	133133	1	• PLUG, Snap-in hole (1/2"), A
17	103036	7	• PLUG, Snap-in hole (1/2"), B
18	131938	1	• LIGHT, Indicator 12 V amber, A, C
L1	133227	1	• CONNECTOR, Strain Relief (1/2"), B, C
L2	133228	1	• PLUG, Snap in Hole (1.125"), B
17	143533	1	• LABEL, Outrigger and hydraulic generator
18	143533	1	• LABEL, Auto level outrigger
18	(Ref.)	1	CABLE ASSEMBLY (Hydraulic Generator) - SJ6826 RT, B, C CABLE ASSEMBLY (Hydraulic Generator) - SJ6832 RT, B, C CABLE ASSEMBLY (Outrigger control), A, C (For components, refer to Section 5.2 Electrical Harness Connections - Outriggers)

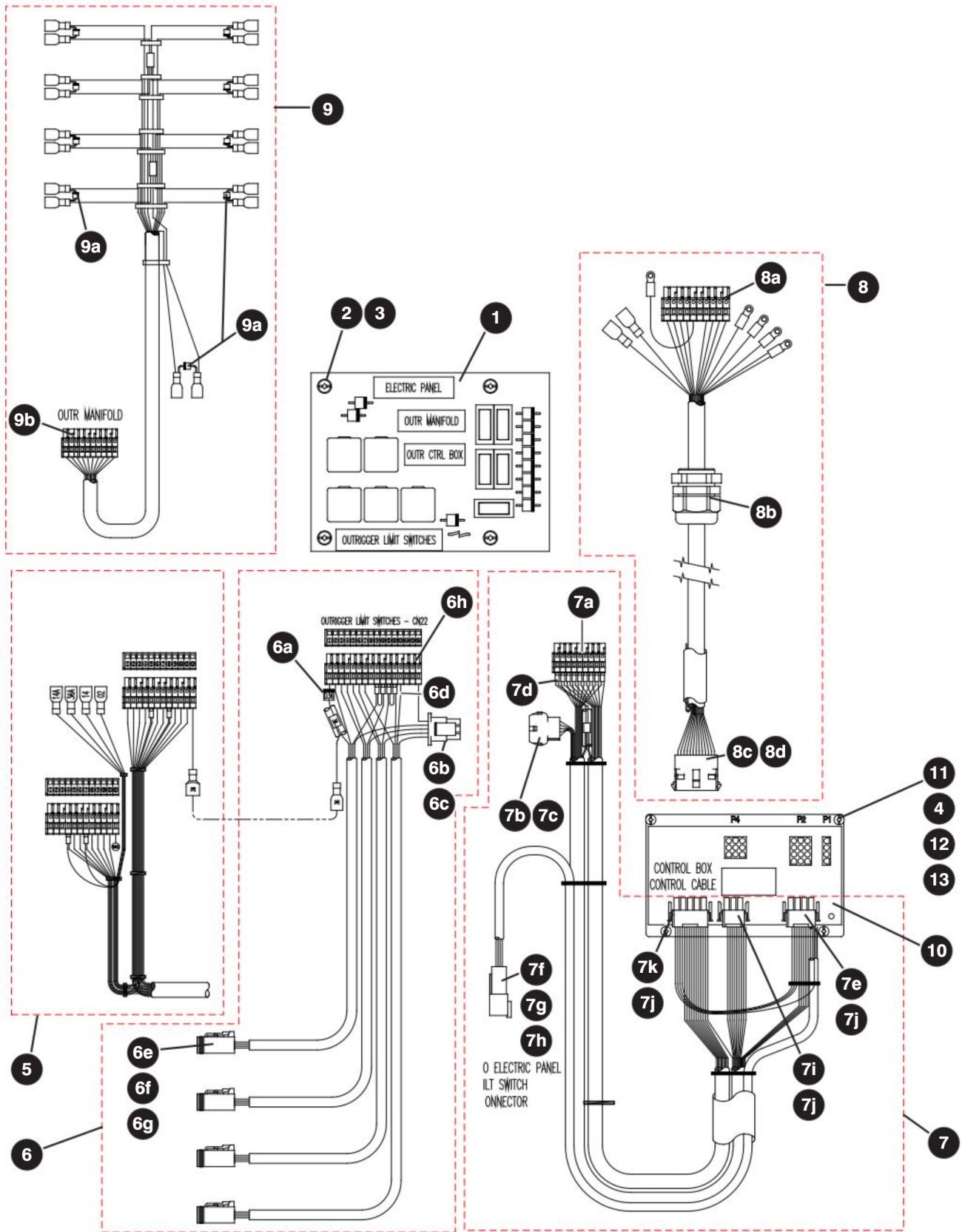
5.2 Electrical Harness Connections - Outriggers



5.2 Electrical Harness Connections - Outriggers

Index No.	Skyjack Part No.	Qty.	Description
1	152137	1	PC BOARD, Outrigger Option 12 V
	127131	5	• RELAY, 12 V (40 A)
	127132	5	• SWITCH (3 position)
	120658	1	• FUSE (10 A)
	102921	11	• DIODE
2	103856	4	BOLT, Machine (1/4"-20 x 3/4")
3	104000	4	WASHER, Lock (1/4")
4	104185	5	WASHER, Lock (#10)
5	146112	1	HARNESS, Outrigger and hydraulic generator - ANSI/CSA
	119904	2	• PLUG, PC board connector (2 pin)
	139462	5	• FERRULE (16 GA)
6	146114	1	HARNESS, Outrigger auto-level limit switch
6a	102921	1	• DIODE
6b	130445	1	• HOUSING, Male plug (6 pin)
6c	116990	5	• PIN, Female wire
6d	139462	4	• FERRULE (16 GA)
6e	117579	4	• PLUG, Connector (4 pin)
6f	117581	4	• PLUG, Connector wedge (4 pin)
6g	117591	16	• SOCKET, Connector contact (16-18)
6h	119908	1	• PLUG, PC board connector (16 pin)
7	137990	1	HARNESS, Outrigger Auto-Level Control Module
7a	119901	1	• PLUG, PC Board connector (9 pin)
7b	132799	1	• HOUSING, Female plug (6 pin)
7c	116989	5	• PIN, Male wire
7d	139462	9	• FERRULE (16 GA)
7e	130449	1	• HOUSING, Male plug (12 pin)
7f	117578	1	• RECEPTACLE, Connector (4 pin)
7g	117580	1	• RECEPTACLE, Connector wedge (4 pin)
7h	117590	4	• CONTACT, Connector pin (16-18)
7i	116993	1	• HOUSING, Male plug (9 pin)
7j	116990	36	• PIN, Female wire
7k	116994	1	• HOUSING, Male plug (15 pin)
8	137552	1	HARNESS, Outrigger Control Cable - SJ6826 RT
	134032	1	HARNESS, Outrigger Control Cable - SJ6832 RT
8a	119902	1	• PLUG, PC Board connector (10 pin)
8b	300788	1	• CONNECTOR, Strain relief
8c	132800	1	• HOUSING, Male plug (15 pin)
8d	116989	15	• PIN, Male wire

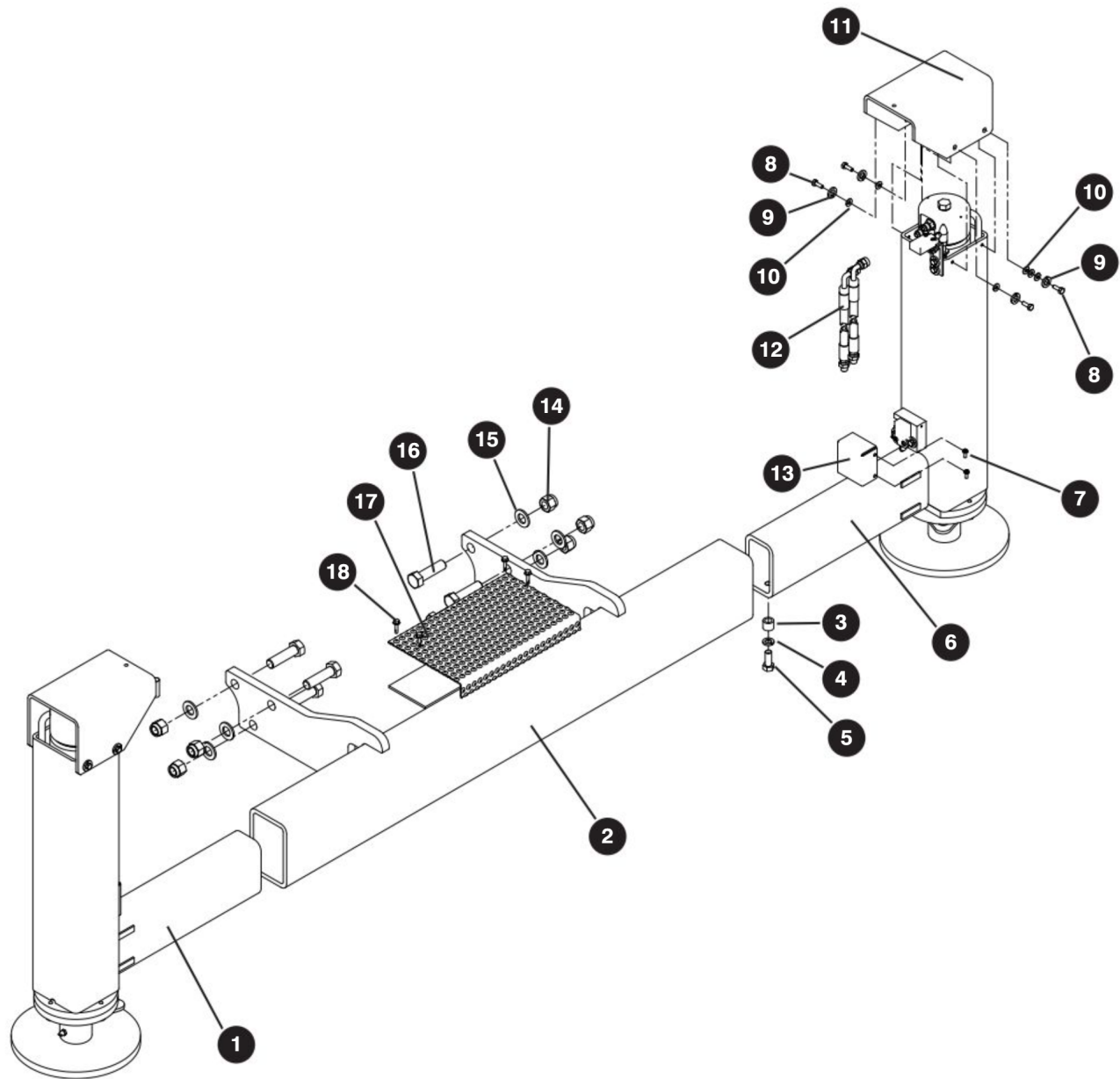
5.2 Electrical Harness Connections - Outriggers



5.2 Electrical Harness Connections - Outriggers

Index No.	Skyjack Part No.	Qty.	Description
9	137991	1	HARNES, Outrigger Manifold
9a	102921	9	• DIODE
9b	119902	1	• PLUG, PC Board connector (10 pin)
10	132804	1	MODULE, Outrigger auto-leveling controller
11	105621	4	BOLT, Machine (#10-32 x 1")
12	104694	5	WASHER, Flat (#10)
13	104003	5	NUT, Hex (#10-32)

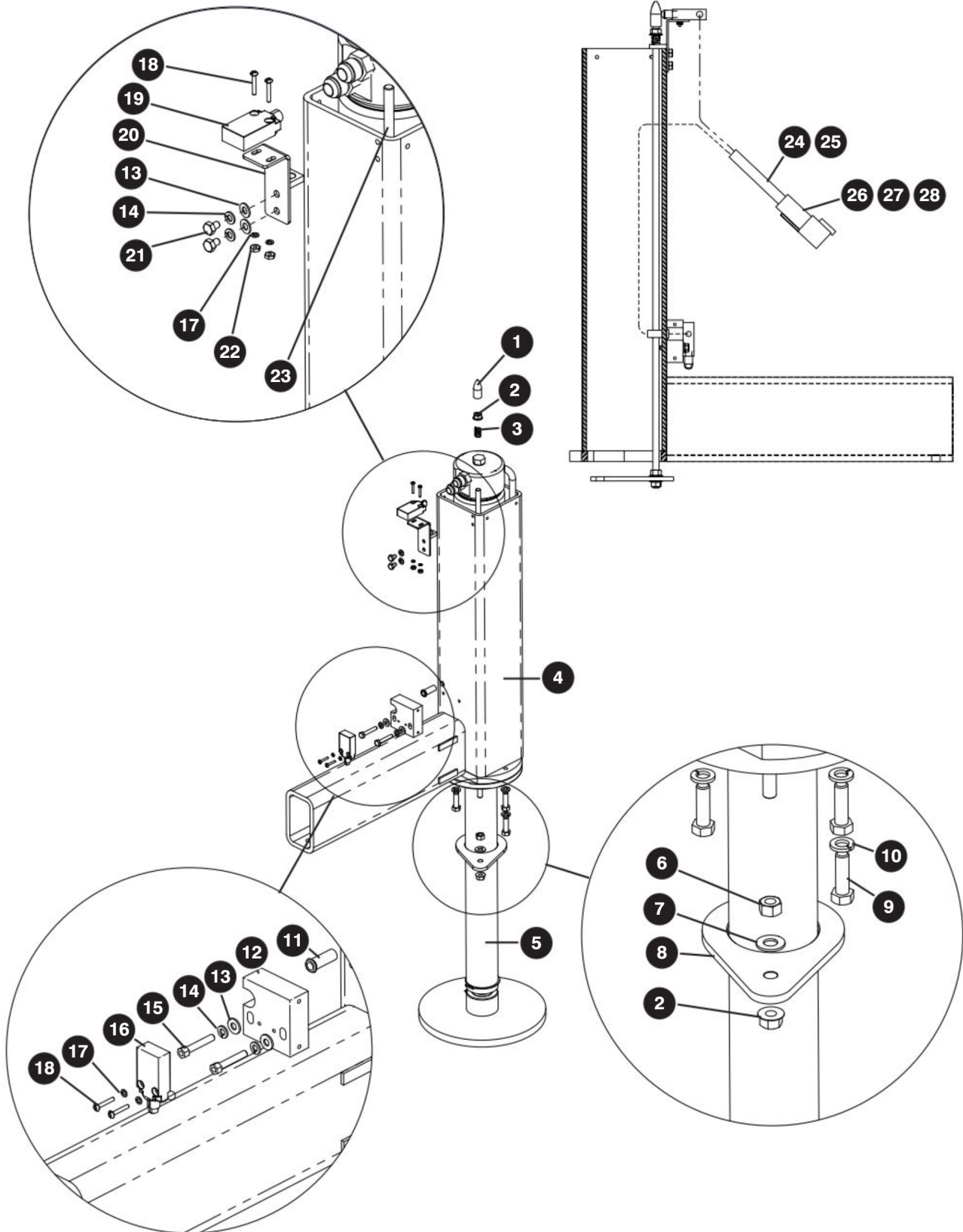
5.3 Front and Rear Outriggers



5.3 Front and Rear Outriggers

Index No.	Skyjack Part No.	Qty.	Description
1	(Ref.)	1	OUTRIGGER ASSEMBLY (Right hand) (For components, refer to Section 5.4 Outrigger Assembly)
2	154940DG	1	• WELDMENT, Outrigger, Rear
	137966DG	1	• WELDMENT, Outrigger, Front
3	118387	2	• SPACER, Outrigger
4	103470	2	• WASHER, Lock (1/2", Gr. 5)
5	103906	2	• BOLT, Hex head (1/2"- 13 x 1.75", Gr. 5)
6	(Ref.)	1	OUTRIGGER ASSEMBLY (Left hand) (For components, refer to Section 5.4 Outrigger Assembly)
7	116193	4	• SCREW, Hex washer head (#10-32 x 1/2")
8	103856	8	• BOLT, Hex head (1/4"-20 x 3/4", Gr. 5)
9	104000	8	• WASHER, Lock (1/4")
10	103995	8	• WASHER, Flat (1/4")
11	102355	2	• PLATE, Outrigger hose cover
12	127422	4	• HOSE, Hydraulic line
13	116826	2	• COVER, Limit switch
14	700575	6	• NUT, Lock, top loc (3/4"-10, Grade C)
15	702194	6	• WASHER, Flat (3/4") - Hard
16	170295	6	• BOLT, Hex head (3/4"-10 x 2.75", Gr. 8)
17	154934	1	• STEP, Formed (Rear outriggers)
18	116192	4	• SCREW, Round head (8 - 32 x 0.625)
19	138765	4	• NUT, Lock (8 - 32, Gr 5)
			Note: Quantities are as per front or rear outrigger assembly

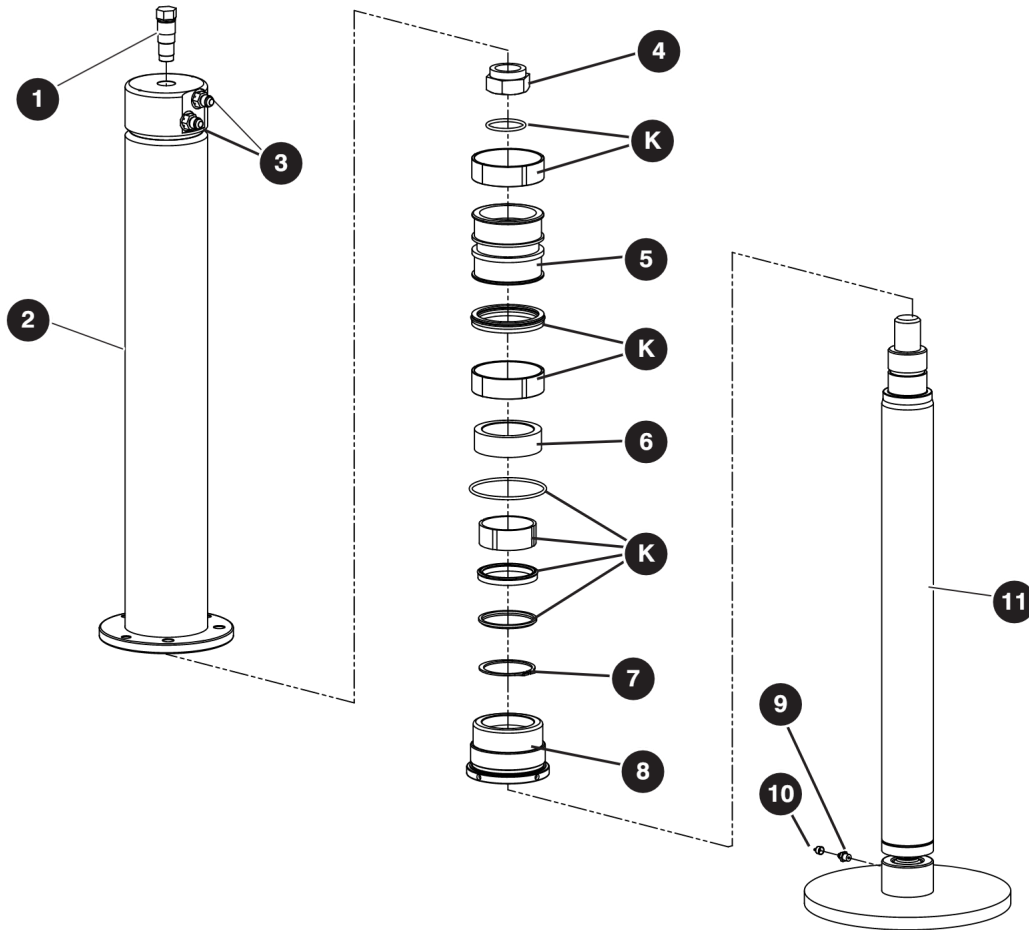
5.4 Outrigger Assembly



5.4 Outrigger Assembly

Index No.	Skyjack Part No.	Qty.	Description
A	138054	2	OUTRIGGER ASSEMBLY (FL/RR)
B	138055	2	OUTRIGGER ASSEMBLY (FR/RL)
1	124972	1	• NUT CAP, (3/8"- 16 UNC)
2	112601	1	• NUT, Hex flange lock (3/8"- 16)
3	124356	1	• SPRING, Compression (1/2" outer diameter x 1.75")
4	124196	1	• ENCLOSURE, Outrigger weldment (FL/RR), A
	124200	1	• ENCLOSURE, Outrigger weldment (FR/RL), B
5	(Ref.)	1	• ASSEMBLY, Outrigger cylinder (For components, refer to Section 5.5 Outrigger Cylinder)
6	103978	2	• NUT, Hex head (3/8"-16, Gr. 5)
7	103472	1	• WASHER, Flat (3/8")
8	124338	1	• CLIP, Plastic
9	101297	3	• BOLT, Hex head (3/8"-16 x 1.25", Gr. 5)
10	103999	3	• WASHER, Lock (3/8")
11	118478	1	• BUSHING, PVC (5/16" inner diameter x 1.25")
12	116827	1	• MOUNT, Bar flat limit switch
13	103995	4	• WASHER, Flat (1/4")
14	104000	4	• WASHER, Lock (1/4")
15	213350	2	• SCREW, Socket Head Cap Screw (1/4"-20 x 1.5", Gr. 5)
16	207008	1	• SWITCH, Limit, assembly with cable (80")
17	112249	4	• WASHER, Lock (#8)
18	126499	4	• SCREW, Round head machine (#8-32 x 7/8")
19	207009	1	• SWITCH, Limit, assembly with cable (60")
20	124335	1	• BRACKET, Upper switch, outrigger
21	103855	2	• BOLT, Hex head (1/4"-20 x 1/2")
22	103986	2	• NUT, Hex head (#8-32)
23	127003	1	• ROD, Outrigger actuator
24	103091	58"	• PROTECTOR, Wire (5/8" diameter)
25	113584	4"	• HEAT SHRINK, 1/2" (Black)
26	117580	1	• CONNECTOR, Receptacle wedge (4 pin)
27	117590	4	• CONNECTOR, Pin contact (16-18)
28	117578	1	• CONNECTOR, Receptacle (4 pin)

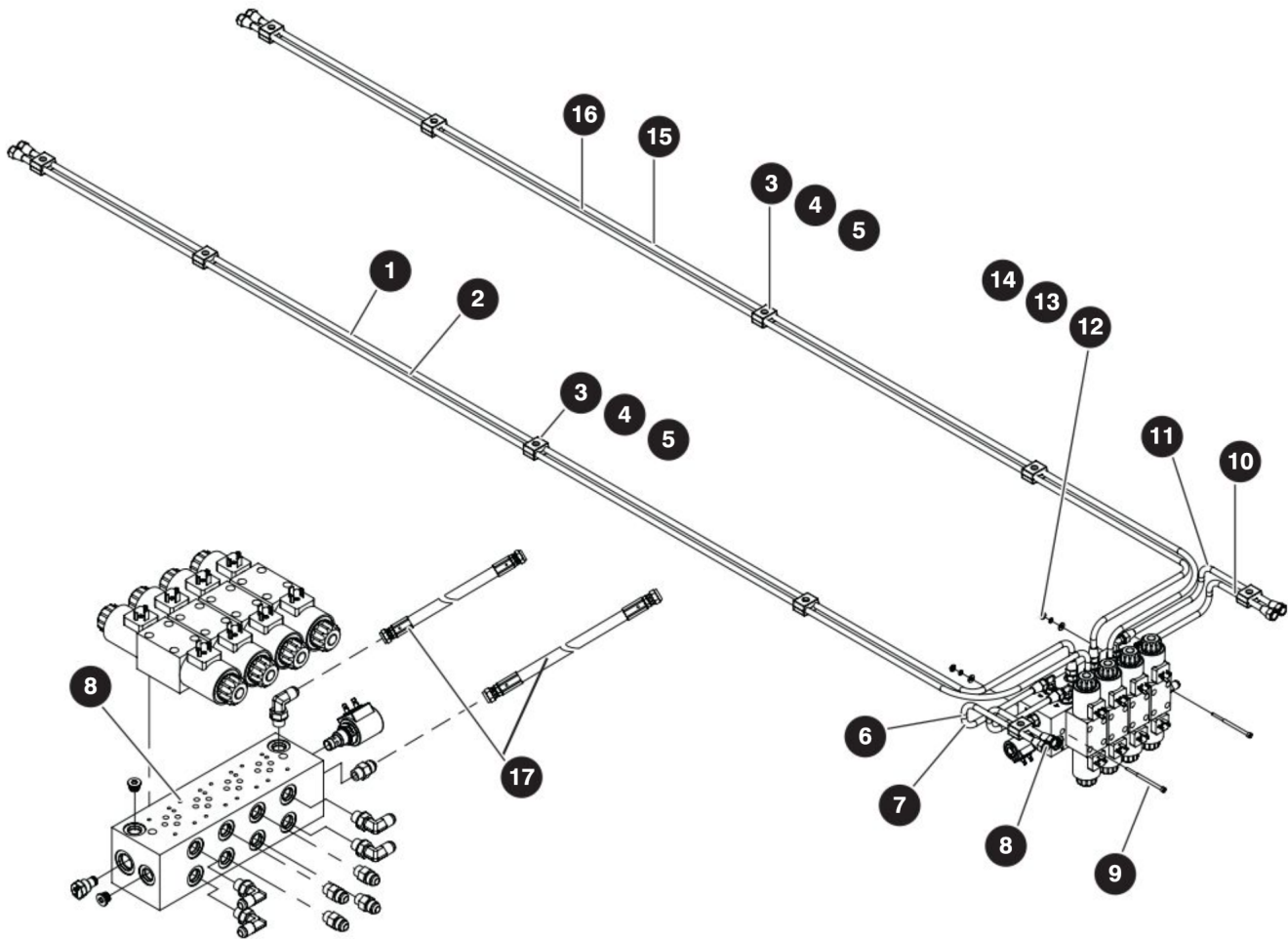
5.5 Outrigger Cylinder



M132694AD

Index No.	Skyjack Part No.	Qty.	Description
–	132694	1	OUTRIGGER CYLINDER ASSEMBLY
1	104115	1	• VALVE, Pilot check (not part of cylinder)
2	152132	1	• WELDMENT, Cylinder barrel
3	103069	2	• FITTING, O-ring
4	106230	1	• NUT, Lock (1.25"–12, Gr. 8)
5	120640	1	• PISTON
6	132690	1	• SPACER, Cylinder tube
7	126279	1	• RING, Retaining (2.5")
8	120387	1	• GLAND, Front head
9	102027	1	• FITTING, Grease (1/8P)
10	132565	1	• CAP, Rubber grease
11	126999	1	• OUTRIGGER CYLINDER ROD ASSEMBLY
K	160636	1	KIT, Seal repair

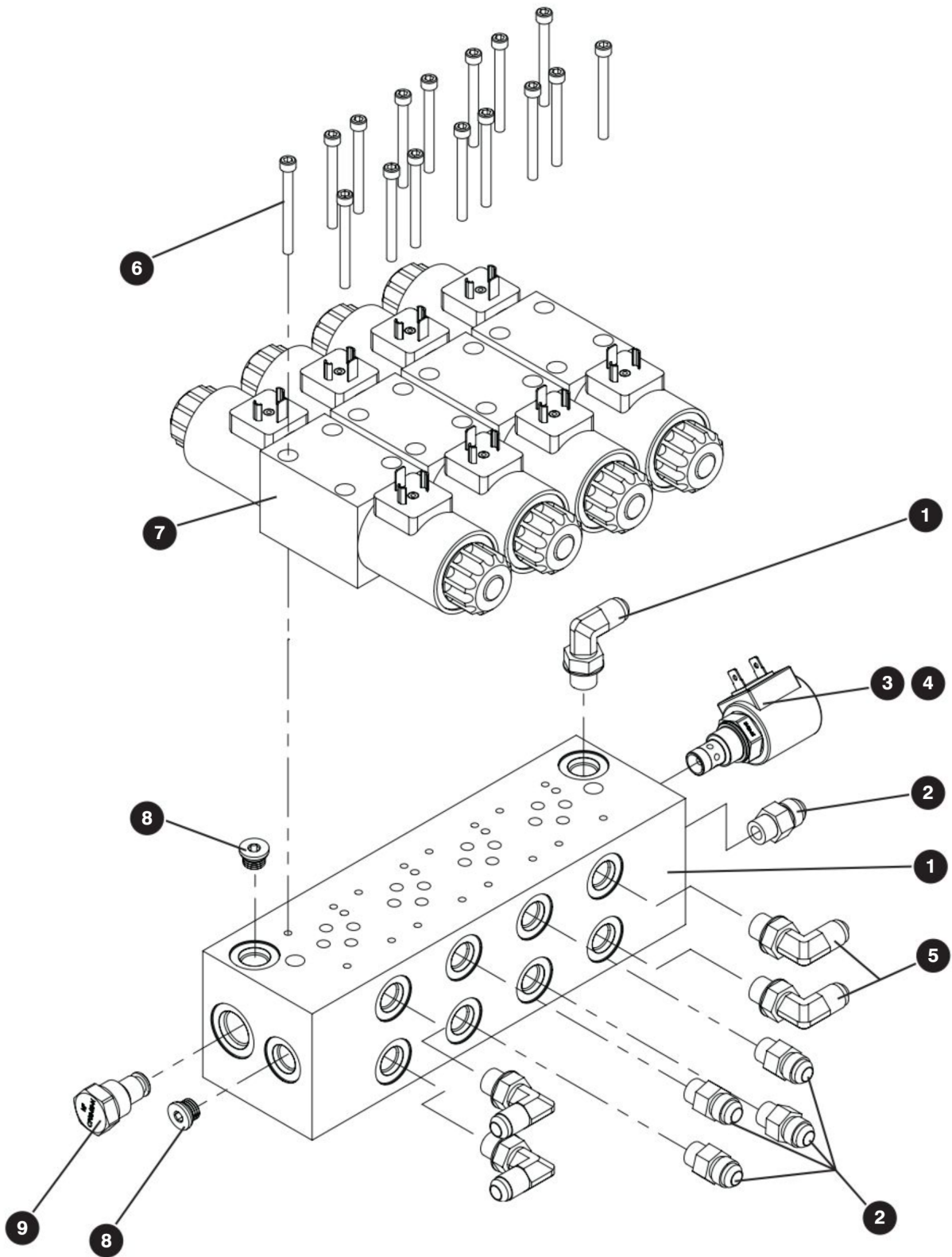
5.6 Hydraulic Hose Connections - Outriggers



M137539AB_M138075AB_2

Index No.	Skyjack Part No.	Qty.	Description
1	137536	1	TUBE ASSEMBLY, Hydraulic outrigger (Front left inner)
2	137538	1	TUBE ASSEMBLY, Hydraulic outrigger (Front left outer)
3	109127	20	MOUNT, Tube twin insert
4	103995	10	WASHER, Flat (1/4")
5	103980	10	NUT, Hex head (1/4"- 20, Gr. 5)
6	137550	1	TUBE ASSEMBLY, Hydraulic outrigger (Rear left outer)
7	137548	1	TUBE ASSEMBLY, Hydraulic outrigger (Rear left inner)
8	(Ref.)	1	OUTRIGGER MANIFOLD ASSEMBLY (For components, refer to Section 5.7 Outrigger Manifold)
9	137556	2	SCREW, Socket head cap
10	137544	1	TUBE ASSEMBLY, Hydraulic outrigger (Rear right inner)
11	137546	1	TUBE ASSEMBLY, Hydraulic outrigger (Rear right outer)
12	104694	2	WASHER, Flat (#10)
13	104185	2	WASHER, Lock (#10)
14	103987	2	NUT, Hex head (#10-24)
15	137534	1	TUBE ASSEMBLY, Hydraulic outrigger (Front right outer)
16	137532	1	TUBE ASSEMBLY, Hydraulic outrigger (Front right inner)
17	107275	2	HOSE ASSEMBLY

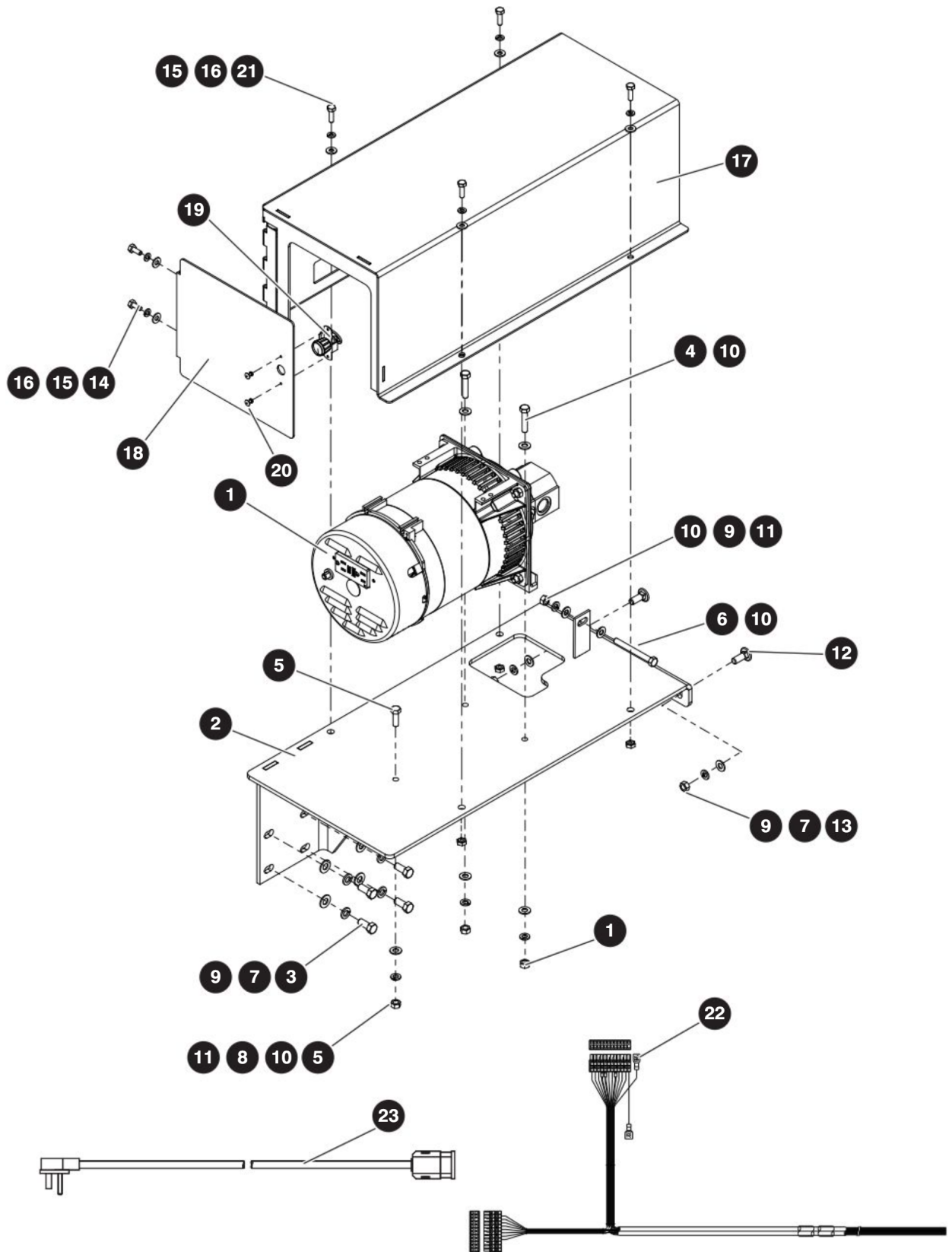
5.7 Outrigger Manifold



5.7 Outrigger Manifold

Index No.	Skyjack Part No.	Qty.	Description
–	138075	1	MANIFOLD OUTRIGGER ASSEMBLY
1	111970	1	• MANIFOLD, Outrigger
2	103069	5	• FITTING, Straight (06 JICM – 06 ORBM)
3	103613	1	• COIL, 12 V (2 prong)
4	103655	1	• VALVE, Poppet valve
5	114578	5	• FITTING, Elbow 90° (06 JICM – 06 ORBM)
6	103920	16	• BOLT, Socket head cap screw (#10–24 x 2")
7	153336	4	• VALVE ASSEMBLY, Directional spool valve 12 V (Hytos)
	153337	2	• • COIL, 12 V spool valve
8	104437	2	• PLUG
9	113801	1	• PLUG, Cavity

5.8 Hydraulic Generator - Harrison



M194579AA_M146065AA_M194279AA

194370AD

138

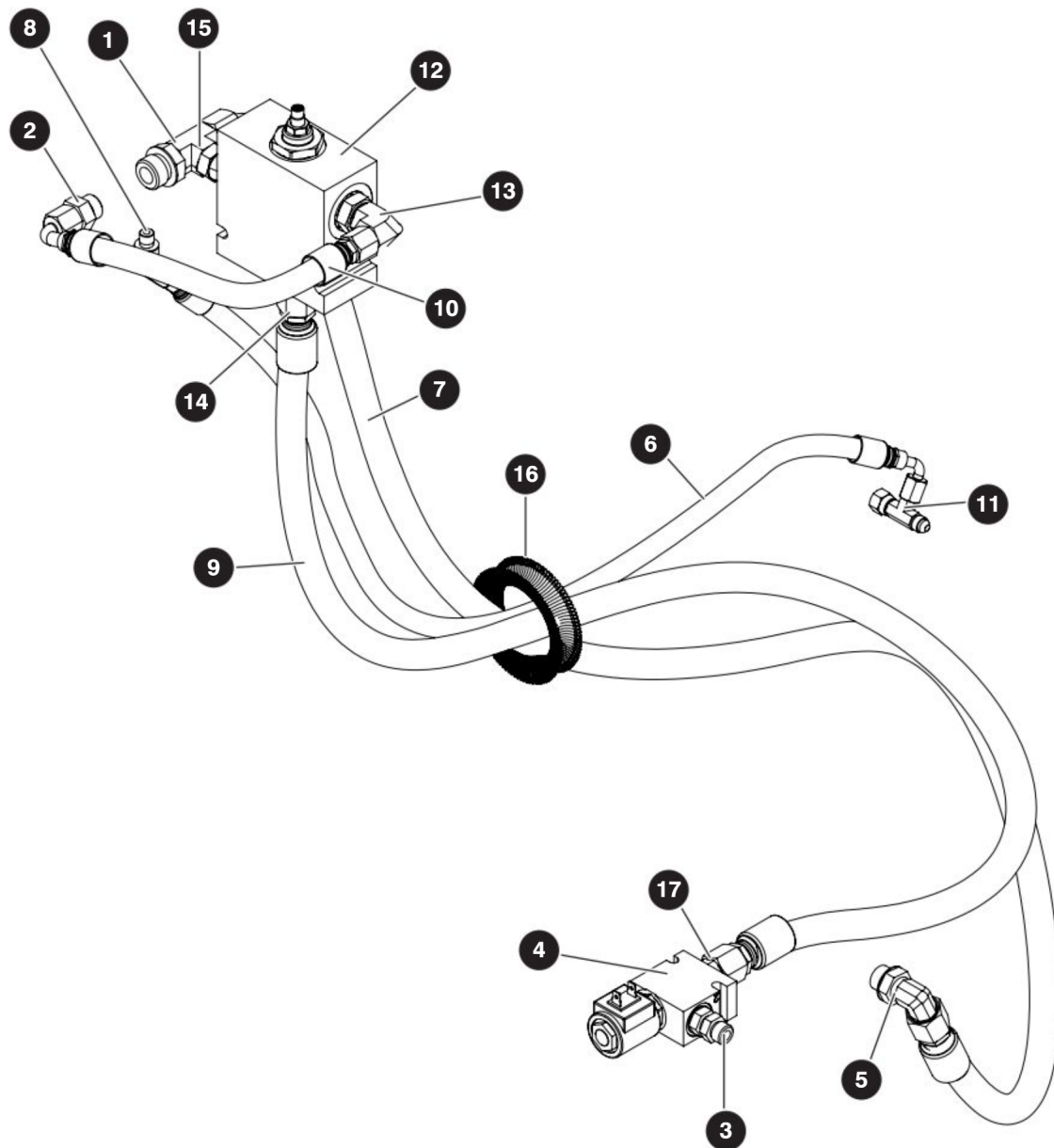
SJ6826 RT, SJ6832 RT

SKYJACK

5.8 Hydraulic Generator - Harrison

Index No.	Skyjack Part No.	Qty.	Description
-	-	1	GENERATOR, Hydraulic (3.5 kW/60 Hz/120 V) Harrison - ANSI/CSA Models SJ6826 RT and SJ6832 RT – S/N 37006450 and above
1	194240	1	GENERATOR, 3.5 kW Hydraulic (120 V) Harrison
	221381	1	• CAPACITOR, 14UF
2	194192DG	1	WELDMENT, Generator mount
3	300437	4	BOLT, Hex head (3/8"–16 x 7/8", Gr. 5)
4	103886	2	BOLT, Hex head (5/16"–18 x 1.5", Gr. 5)
5	103864	1	BOLT, Hex head (5/16"–18 x 1.0", Gr. 5)
6	103867	1	BOLT, Hex head (5/16"–18 x 3.0", Gr. 5)
7	103999	6	WASHER, Lock (3/8")
8	103404	4	WASHER, Lock (5/16")
9	103472	6	WASHER, Flat (3/8")
10	103996	7	WASHER, Flat (5/16")
11	100397	4	Nut, Hex head (5/16"–18, Gr. 5)
12	111804	2	BOLT, Carriage (3/8"–16 x 1.0", Gr. 5)
13	103978	2	NUT, Hex head (3/8"–16, Gr. 5)
-	194578DG	1	ASSEMBLY, Generator cover
14	103892	2	BOLT, Hex head (1/4"–20 x 5/8", Gr. 5)
15	104000	2	WASHER, Lock (1/4")
16	103995	2	WASHER, Flat (1/4")
17	194196DG	1	WELDMENT, Generator cover
18	194541DG	1	WELDMENT, Generator door
19	168066	1	LATCH, Spring
20	119945	2	RIVET, Pop Wide Head
21	103891	4	BOLT, Hex head (1/4"–20 x 7/8", Gr. 5)
22	146112	1	HARNESS, Outrigger and hydraulic generator (For components, refer to Section 5.2 Electrical Harness Connections - Outriggers)
23	195277	1	CORD, Extension 11 FT
24	139457	1	LABEL, Do not use pressure washers (not shown)

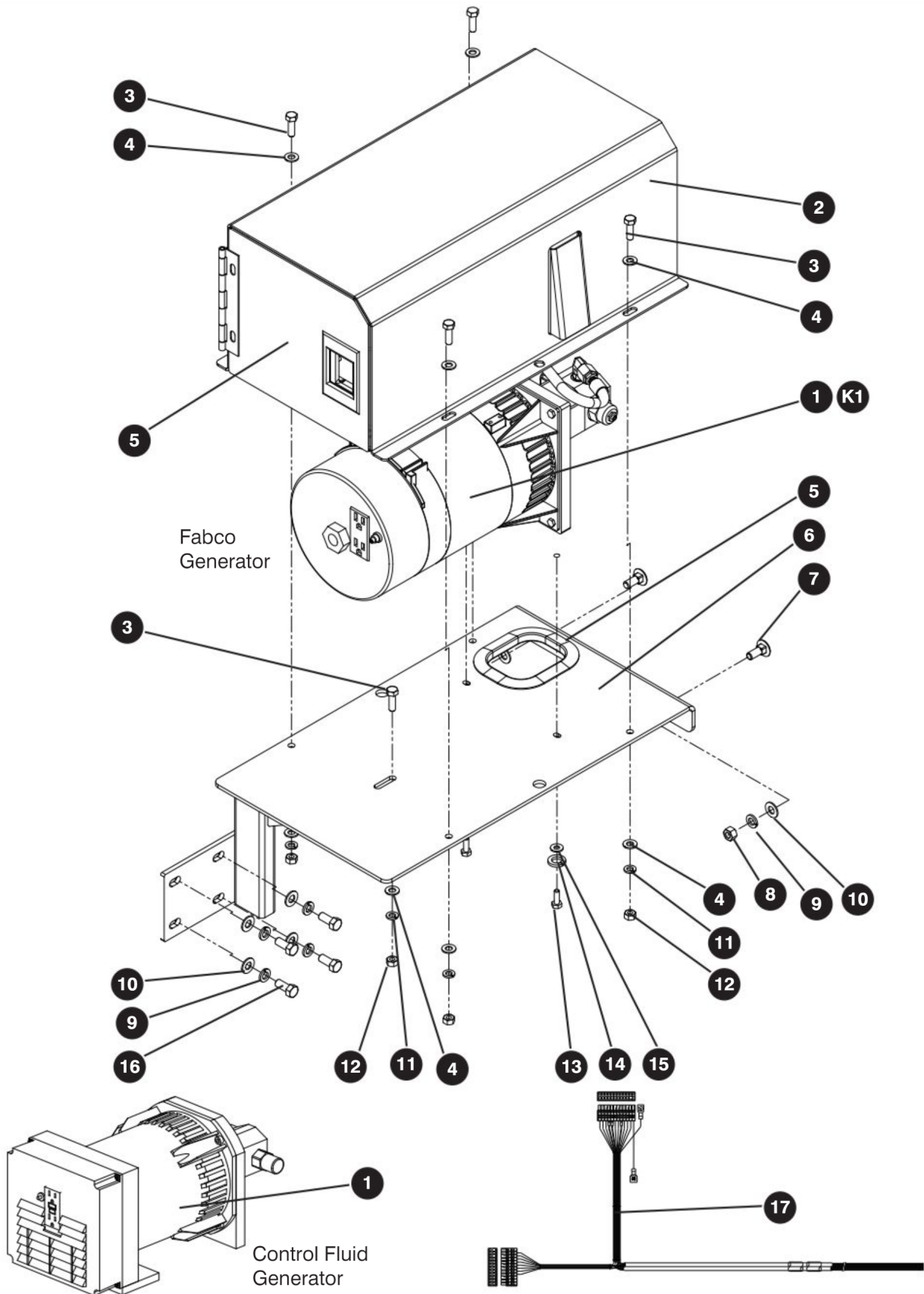
5.9 Hose Connections - Harrison Hydraulic Generator



5.9 Hose Connections - Harrison Hydraulic Generator

Index No.	Skyjack Part No.	Qty.	Description
–	–	1	GENERATOR, Hydraulic (3.5 kW/60 Hz/120 V) Harrison - ANSI/CSA Models SJ6826 RT and SJ6832 RT – S/N 37006450 and above
–	194042	1	INSTALL, Hydraulic generator
1	132255	1	• FITTING, Tee (8 JICM –100 RBM– 8 JICM)
2	103070	1	• FITTING, Straight (8 SAE – 6 JIC)
3	122428	1	• FITTING, Straight (06 ORBM – 06 ORBM)
4	146109	1	• VALVE ASSEMBLY
	146082	1	• • BODY, valve
	103613	1	• • COIL, 12 V
	103655	1	• • VALVE, Brake feed (N.C.)
5	114583	1	• FITTING, Elbow 90° (08 JICM – 08 ORBM)
6	H340400322	1	• HOSE, Hydraulic H34 (0.25 / 100R17 * 32.5 LG)
7	H060800710	1	• HOSE, Hydraulic H06 (0.50 / 100R17 * 71 LG)
8	131716	1	• FITTING, 45° (04 JICM – 04 ORBM)
9	143653	1	• HOSE ASSEMBLY
10	H060600120	1	• HOSE, Hydraulic H06 (0.38 / 100R17 X 12 LG)
11	707917	1	• FITTING, Run tee (04 JICF – 04 JICM)
–	194567	1	• ASSEMBLY, Hydraulic generator flow control
12	194323	1	• • VALVE, Flow control
13	163750	1	• • FITTING, Elbow 90° (06 JICM – 100 ORBM)
14	103071	1	• • FITTING, Straight (10 ORBM – 08 JICM)
15	194235	1	• • FITTING, Straight (10 ORBM – 08 JICF)
16	146110	1	• WIRE PROTECTOR, 3.8" ID X 12"
17	104402	1	• FITTING, Straight (08 JICM – 06 ORBM)

5.10 Hydraulic Generator - Fabco & Control Fluid



M53313AA_M146065AA_M152257AA

194370AD

142

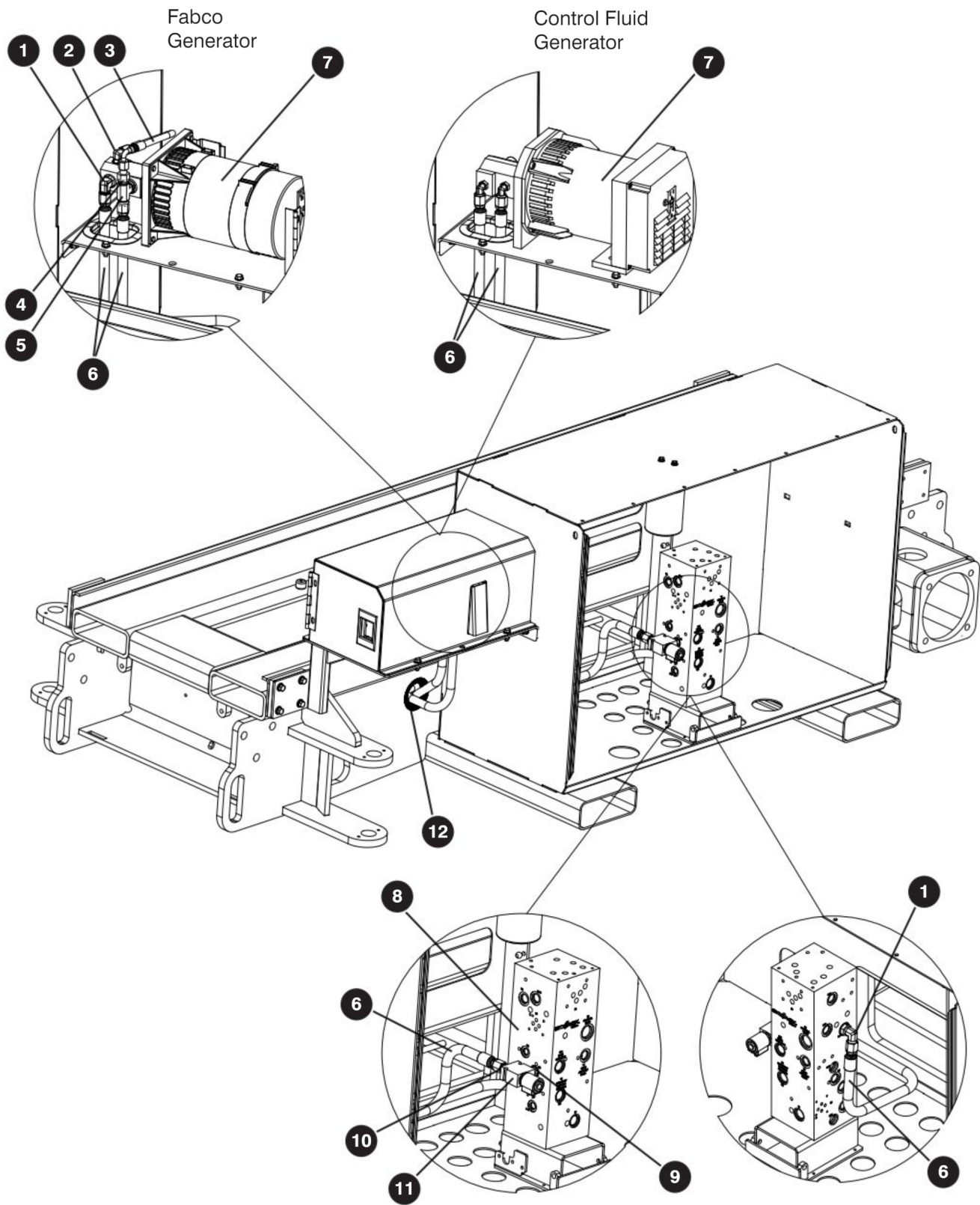
SJ6826 RT, SJ6832 RT

SKYJACK

5.10 Hydraulic Generator - Fabco & Control Fluid

Index No.	Skyjack Part No.	Qty.	Description
A	-	1	GENERATOR, Hydraulic (2 kW/60 Hz/115 V) Fabco - ANSI/CSA
B	-	1	GENERATOR, Hydraulic (2 kW/60 Hz/120 V) Control Fluid - ANSI/CSA Models SJ6826 RT and SJ6832 RT – S/N 37006449 and below
1	141829	1	GENERATOR, 2 kW Hydraulic (115 V) Fabco, A
	143943	1	• MOTOR, Hydraulic, A
	157646	1	• COMPLETE GENERATOR, A
	157641	1	• • COVER, Rear end, A
	157642	1	• • CARTRIDGE, Flow control, A
	157643	1	• • CIRCUIT BREAKER (16 A), A
	157644	1	• • CIRCUIT BREAKER (8 A), A
	152257	1	GENERATOR, 2 kW Hydraulic (120 V) Control Fluid, B
2	142417DG	1	WELDMENT, Generator cover
3	103864	5	BOLT, Hex head (5/16"-18 x 1", Gr. 5)
4	103996	9	WASHER, Flat (5/16")
5	143693	2	GUARD, Tray edge
6	142395DG	1	WELDMENT, Generator mount
7	125800	2	BOLT, Carriage (3/8" x 1")
8	103978	2	Nut, Hex head (3/8"-16, Gr. 5)
9	103999	6	WASHER, Lock (3/8")
10	103472	6	WASHER, Flat (3/8")
11	103404	5	WASHER, Lock (5/16")
12	100397	5	Nut, Hex head (5/16"-18, Gr. 5)
13	103856	2	BOLT, Hex head (1/4"-20 x 3/4", Gr. 5)
14	104000	2	WASHER, Lock (1/4")
15	103995	2	WASHER, Flat (1/4")
16	300437	4	BOLT, Hex head (3/8"-16 x 7/8", Gr. 5)
17	146112	1	HARNESS, Outrigger and hydraulic generator (For components, refer to Section 5.2 Electrical Harness Connections - Outriggers)
K1	157645	1	• SEAL KIT, Fabco, A

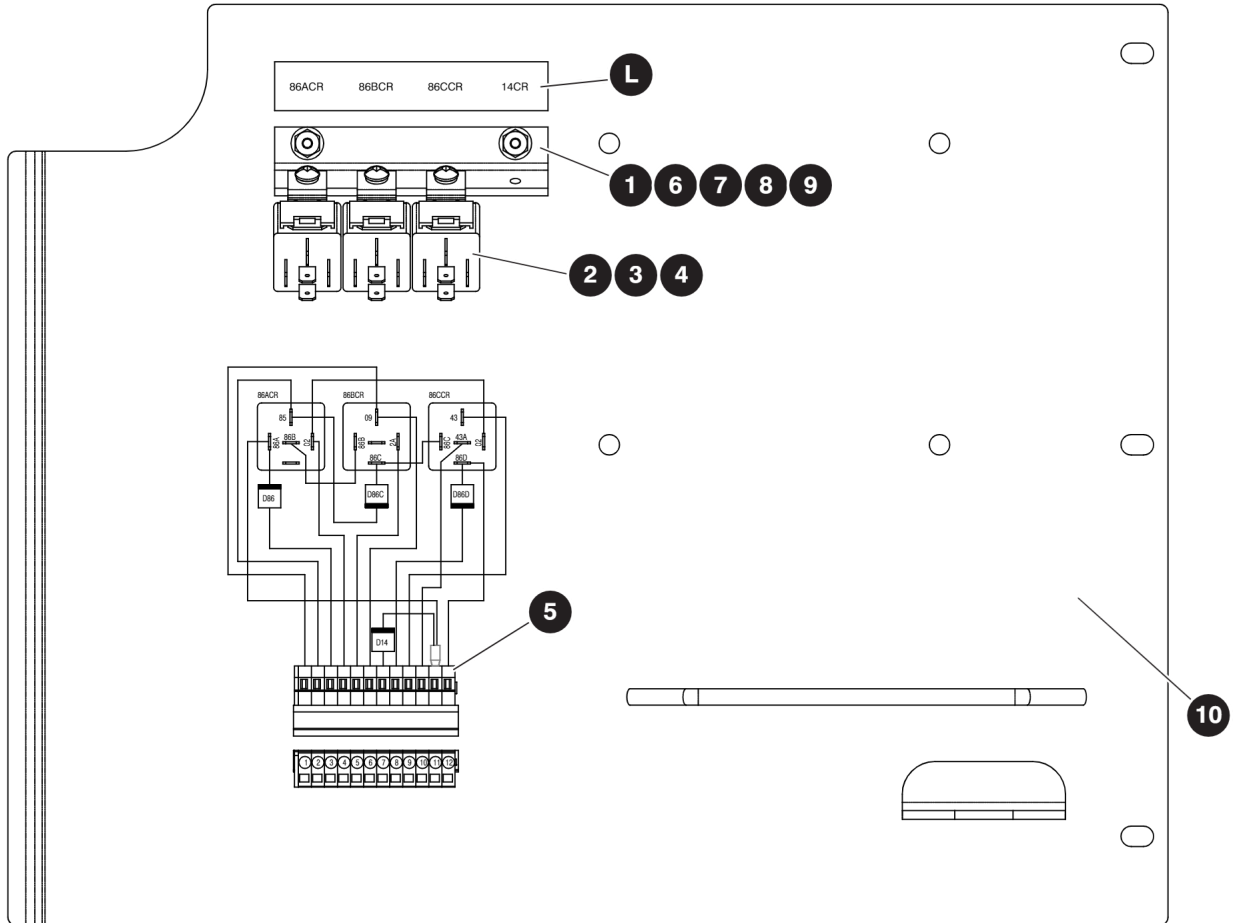
5.11 Hose Connections - Fabco & Control Fluid Generators



5.11 Hose Connections - Fabco & Control Fluid Generators

Index No.	Skyjack Part No.	Qty.	Description
A	–	1	GENERATOR, Hydraulic (2 kW/60 Hz / 115 V) Fabco - ANSI/CSA
B	–	1	GENERATOR, Hydraulic (2 kW/60 Hz / 120 V) Control Fluid - ANSI/CSA Models 6826RT and 6832RT – S/N 37006449 and below
1	114583	2	FITTING, Elbow 90° (08 JICM – 08 ORBM), A
		1	FITTING, Elbow 90° (08 JICM – 08 ORBM), B
2	113348	1	FITTING, Elbow 90° (6–4 O–RING), A
3	106551	1	HOSE ASSEMBLY (1/4" diameter x 10), A
4	110498	1	FITTING, Hydraulic (08 FJ 06 MJ reducer), A
5	146107	1	FITTING, Tee (10 MORB – 08 MJ – 08 MJ), A
6	143653	2	HOSE ASSEMBLY
7	(Ref.)	1	GENERATOR, 2 kW Hydraulic (115 V / 120 V) (For components, refer to Section 5.10 Hydraulic Generator - Fabco & Control Fluid)
8	(Ref.)	1	MAIN CONTROL VALVE ASSEMBLY (For components, refer to Section 3.15 Main Manifold)
9	122428	1	FITTING, Straight (06 ORBM – 06 ORBM)
10	104402	1	FITTING, Straight (08 JICM – 06 ORBM)
11	146109	1	VALVE ASSEMBLY
	146082	1	• BODY, valve
	103613	1	• COIL, 12 V
	103655	1	• VALVE, Brake feed (N.C.)
12	146110	1	WIRE PROTECTOR, (3/4" inner diameter x 9.5")

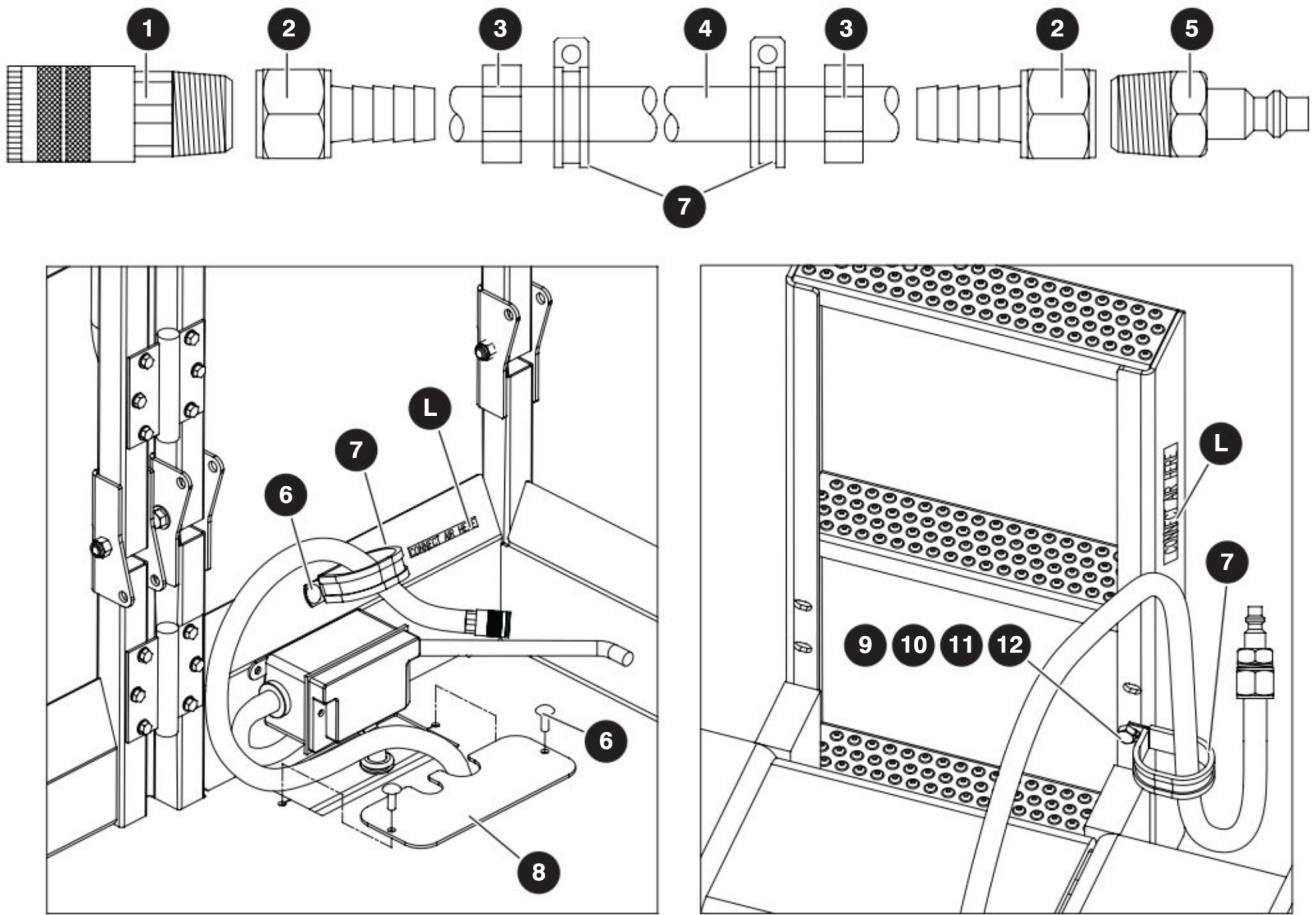
5.12 Hydraulic Generator Relay



M146098AA

Index No.	Skyjack Part No.	Qty.	Description
–	146098	1	HYDRAULIC GENERATOR RELAY ASSEMBLY
1	146055	1	• BRACKET, Relay mount
2	127035	3	• RELAY, 12 V (40 A)
3	115545	3	• BOLT, Machine (#10–32 x 3/8")
4	104185	3	• WASHER, Lock (#10)
5	138053	1	• CONNECTOR, Male (12 pin)
6	120094	2	BOLT, Machine (#10–32 x 5/8")
7	104694	2	WASHER, Flat (#10 SAE)
8	104185	2	WASHER, Lock (#10)
9	104003	2	NUT, Machine (#10–32, Grade B)
10	(Ref.)	2	DOOR, Instrumentation panel (For components, refer to Section 3.17 Engine Cabinet)
L	146083	1	LABEL, Relay names outrigger and hydraulic generator

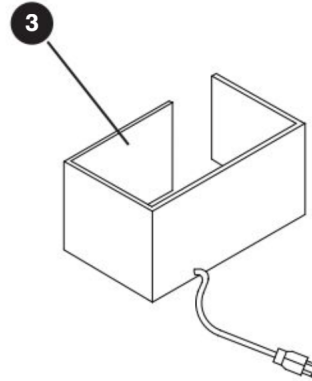
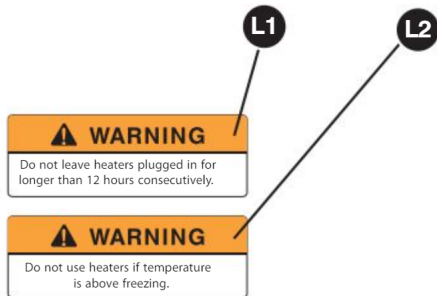
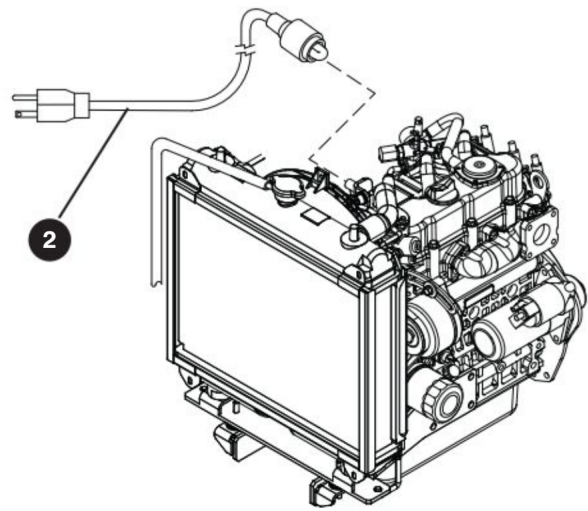
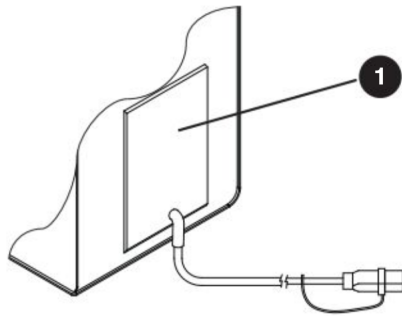
5.13 Air Hose to Platform



M135913AA

Index No.	Skyjack Part No.	Qty.	Description
–	135913	1	AIR HOSE TO PLATFORM ASSEMBLY - SJ6826 RT
–	135914	1	AIR HOSE TO PLATFORM ASSEMBLY - SJ6832 RT
1	107882	1	FITTING, Female disconnect
2	109050	2	FITTING, Hose barb
3	107886	2	CLAMP, Hose
4	107884	37'	HOSE, Air (Model SJ6826 RT)
	107884	45'	HOSE, Air (Model SJ6832 RT)
5	107883	1	FITTING, Male disconnect
6	134140	3	RIVET, Open end dome (1/4" diameter)
7	103078	2	CLAMP, Double (G10)
8	137567	1	PLATE, Air control/110 cover
9	103978	1	NUT, Hex head (3/8"–16, Gr. 5)
10	103999	1	WASHER, Lock (3/8")
11	103472	1	WASHER, Flat (3/8")
12	101632	1	BOLT, Hex head (3/8"–16 x 3/4", Gr. 5)
L	138212	2	LABEL, Connect Air Here (For components, refer to Section 6.1 Label Kits)

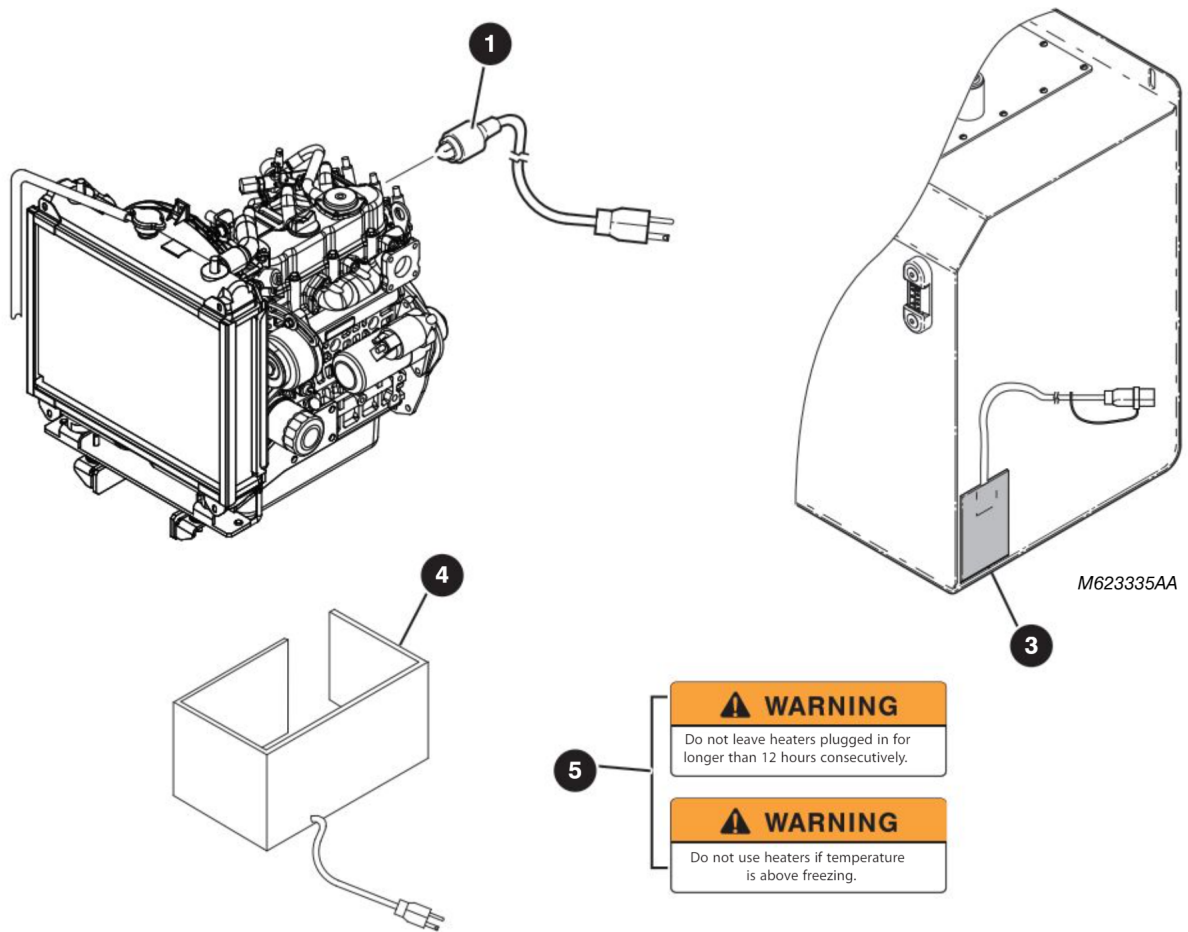
5.14 Cold Weather Start - DF972/D902



M166260AB_M137891AA_2_M138089AC_1_M703290AA

Index No.	Skyjack Part No.	Qty.	Description
-	146520	1	COLD WEATHER START OPTION - ANSI/CSA
1	166260	1	HEATER, Pad, 250 W
2	146468	1	HEATER, Block, 400 W, 110 V, 25 mm
3	703290	1	BLANKET, Battery (36")
4	149789	1	MANUAL, Cold start special option (not shown)
L1	147041	2	LABEL, Do not leave heaters plugged in
L2	147042	2	LABEL, Do not use heaters above freezing

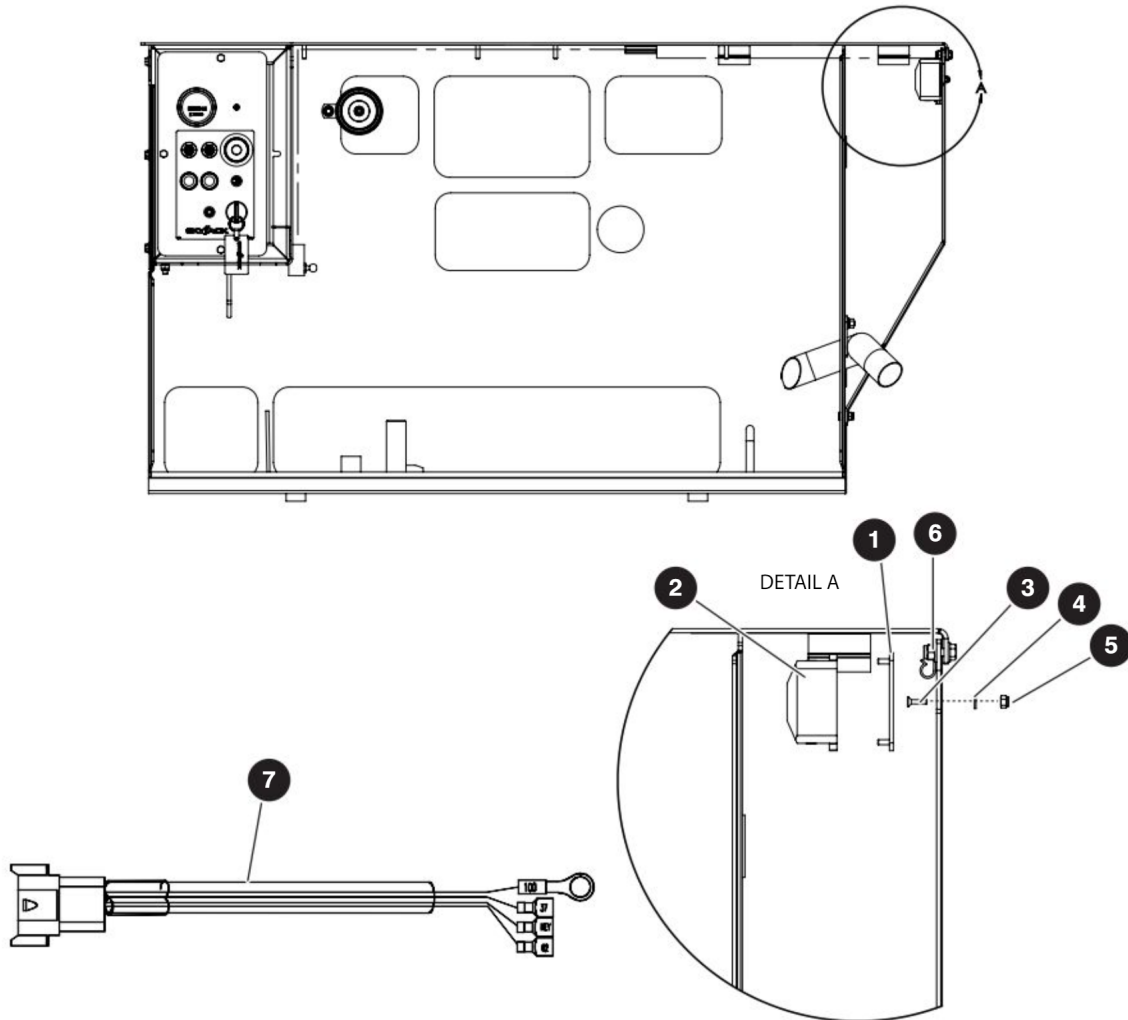
5.15 Cold Weather Start - WG752



M62345AA_M62335AA_M138089AC_1_M703290AA

Index No.	Skyjack Part No.	Qty.	Description
-	212694	1	COLD WEATHER START KIT – SJ6826 RT, SJ6832 RT
1	212695	1	<ul style="list-style-type: none"> • HEATER, Block, 400 W, 110 V, 30 mm DF • • CORD, Electrical, block heater
2	213176	1	<ul style="list-style-type: none"> • INSTALLATION INSTRUCTIONS, Cold start special option – English (not shown)
3	166260	1	<ul style="list-style-type: none"> • HEATER, Pad 250 W • • ADHESIVE, Silicone
4	703290	1	<ul style="list-style-type: none"> • BLANKET, Battery
5	151717	1	<ul style="list-style-type: none"> • LABEL, Assembly – Cold weather start – Special option – English
	147041		<ul style="list-style-type: none"> • • LABEL, Do not leave heaters plugged in – English
	147042		<ul style="list-style-type: none"> • • LABEL, Do not use heaters – English
6	144727	2	<ul style="list-style-type: none"> • TIE WRAP, Cable, black 43.3 in (1100 mm) lg.(not shown)

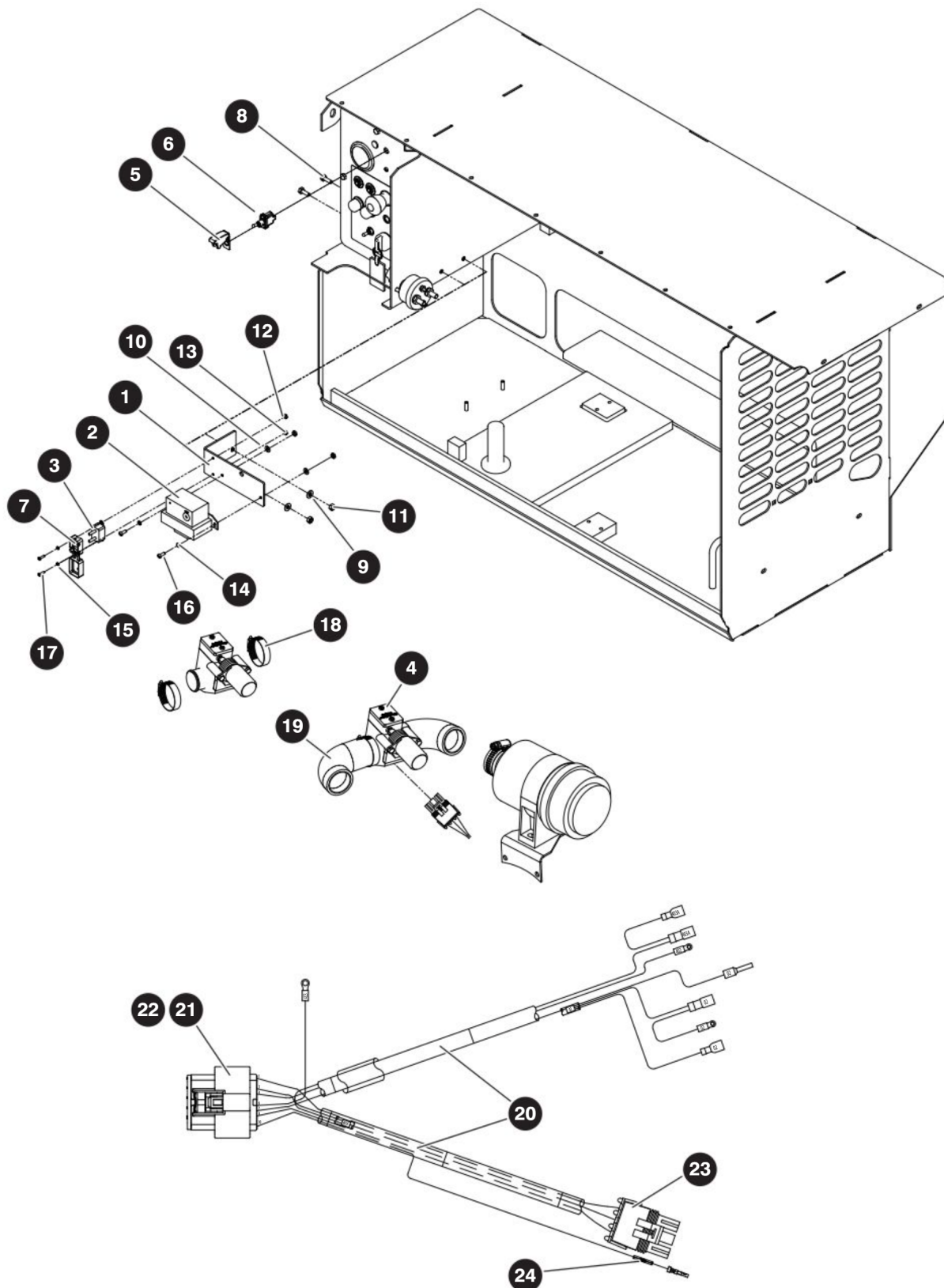
5.16 Telematics - ZTR



M171107AA-1

Index No.	Skyjack Part No.	Qty.	Description
–	171107	1	OPTION, TELEMATICS – ZTR - SJ6826 RT and SJ6832 RT
1	170994	1	• KIT, M6 ZTR Mounting
2	170995	1	• M6 UR TELEMATICS, W/DEUTSCH CONN
3	170997	1	• SCREW, Flat head machine (#8–32 x 5/8")
4	103991	1	• WASHER, FLAT (#8)
5	138765	2	• NUT, Lock (#8–32, Gr. 5, Zinc–Nyl)
6	108791	4	• CLIP, Single G30
	171108	1	• DIAGRAM, Wiring TELEMATICS
7	171109	1	• HARNESS, Telematics – 8 pin Deutsch (SJ6826 RT AND SJ6832 RT)

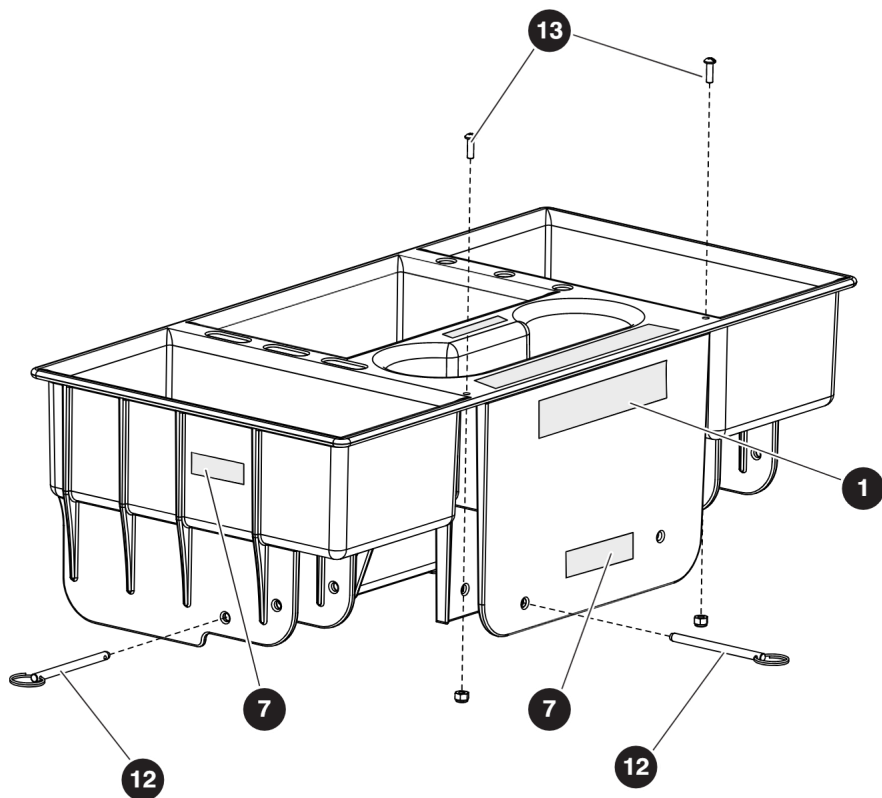
5.17 Positive Air Shut Off



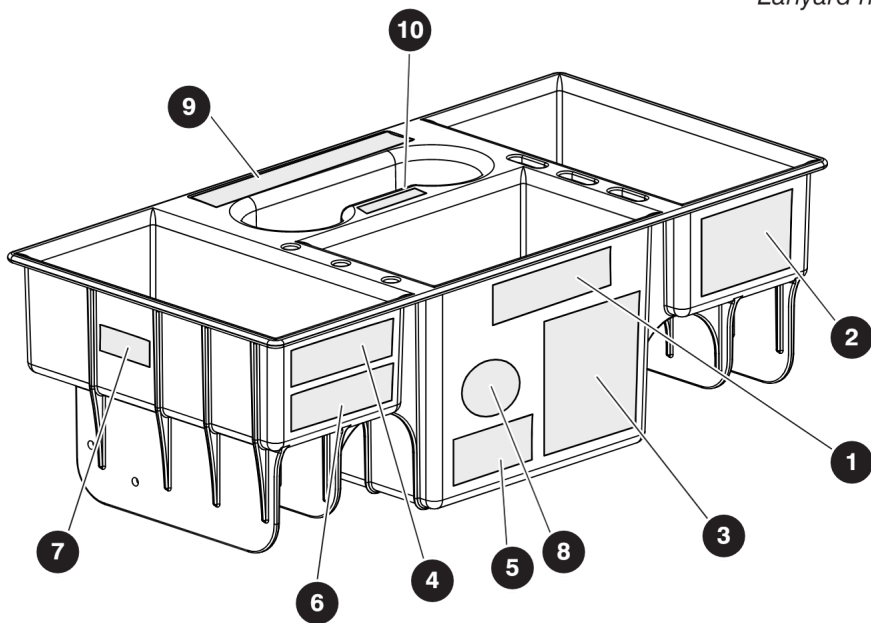
5.17 Positive Air Shut Off

Index No.	Skyjack Part No.	Qty.	Description
-	171825	1	POSI-AIR SHUT OFF INST
1	171824	1	• HOLDER, RL5 Positive air option
-	171908	1	• SHOCKER PASS 1750 - D1105 KIT
2	171821	1	• • AUTOMATIC REV LIMITER-R5
3	171899	1	• • BREAKER, Auto reset
4	171823	1	• • SHUT OFF VALVE, Auto 1.75"
5	171826	1	• • COVER, Safety red toggle
6	115574	1	• • SWITCH, Toggle
7	196529	1	• • INSULATOR, Stud mount circuit breaker (Red)
8	103857	2	• BOLT, Hex head (1/4"-20 x 1", Gr. 5)
9	103995	2	• WASHER, Flat (1/4")
10	103991	2	• WASHER, Lock (#8)
11	115649	2	• NUT, Hex nylon lock (1/4"-20, Gr. 5)
12	103985	2	• NUT, Hex Head (#6-32)
13	138765	2	• NUT, Zinc nylon lock (8-32, Gr. 5)
14	112249	2	• WASHER, Lock (#8)
15	106099	2	• WASHER, Lock (#6)
16	116192	2	• BOLT, Machine head zinc (#8-32 x 0.63)
17	114678	2	• SCREW, Round head machine (#6-32 x 1/2")
18	133222	2	• CLAMP, Gear #28 (1.75)
19	194271	1	• AIR INTAKE, Rubber modified
-	171828	1	HARNES, POSITIVE AIR SHUT OFF
20	111354	67	• WIRE PROTECTOR, 3/8 ID
21	171900	1	• CONNECTOR PLUG, 10-way
22	171901	7	• CONNECTOR, Contact female crimp terminal
23	156114	1	• CONNECTOR, 3F W/P
24	169659	1	• RESISTOR, 330 kOhm 1/2 W axial lead

5.18 Tool Caddy



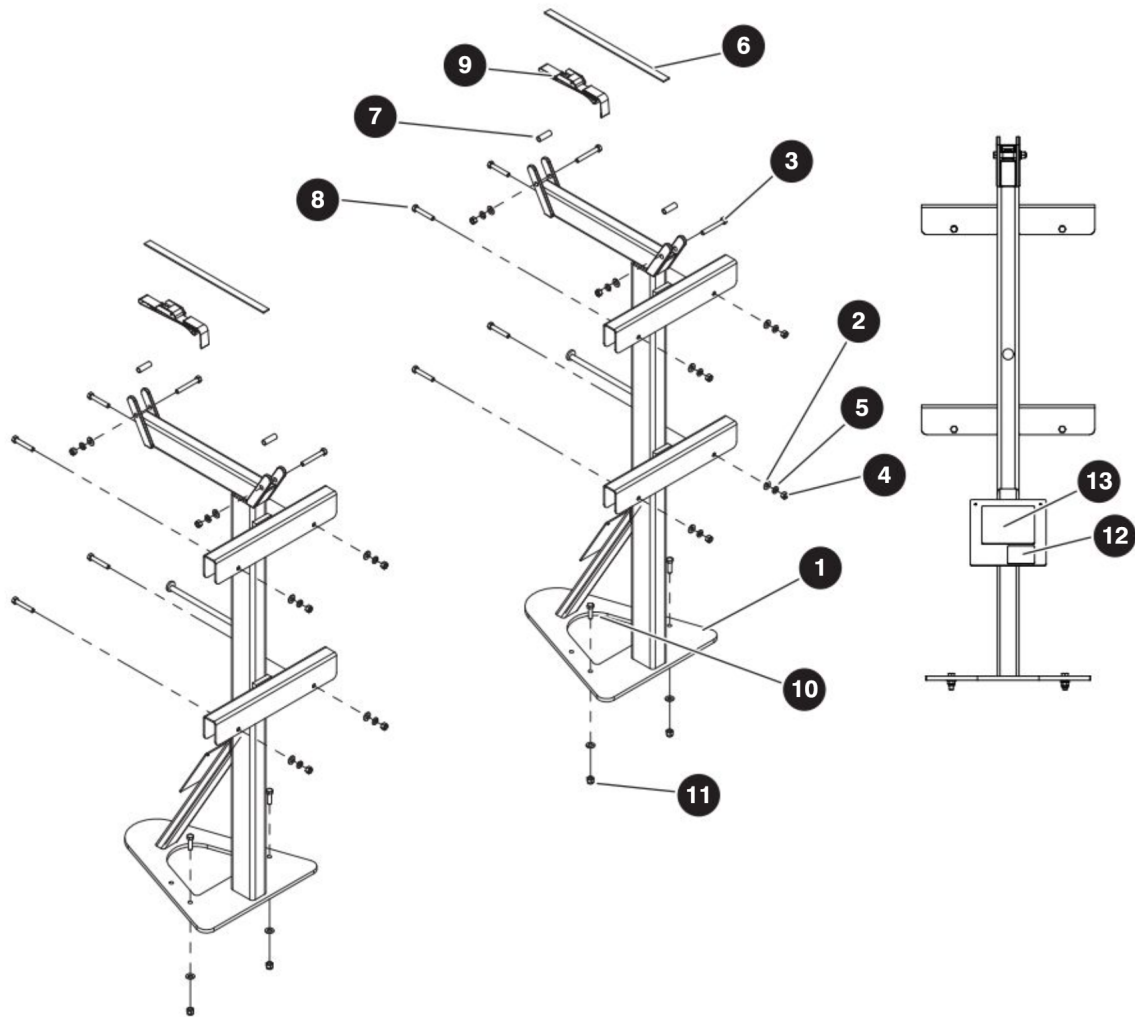
* – Lanyard not shown



5.18 Tool Caddy

Index No.	Skyjack Part No.	Qty.	Description
—	204334	1	TOOL CADDY KIT
1	172293	2	• LABEL, Skyjack logo, 5" white
2	172247	1	• LABEL, Tool caddy location
3	172298	1	• LABEL, Tool caddy models serial numbers
4	172297	1	• LABEL, Drive slowly when tool caddy is installed
5	172246	1	• LABEL, Tool caddy pin location
6	172245	1	• LABEL, Tool caddy weight
7	168421	3	• LABEL, Lock pin in place
8	172299	1	• LABEL, Do not block exit/entrance
9	172292	1	• LABEL, Accessoryzers, 7" white
10	172294	1	• LABEL, Skyjack logo, 3" white
11	198945	1	• TOOL CADDY TRAY, Plastic (Std)
12	198965	2	• PIN, Quick release 1/4" x 3.2" Lg. with 12" Lanyard
13	116161	2	• RIVET, Pop 3/16" x 9/16"
14	204306	1	• INSTRUCTIONS, Tool caddy installation (Not Shown)

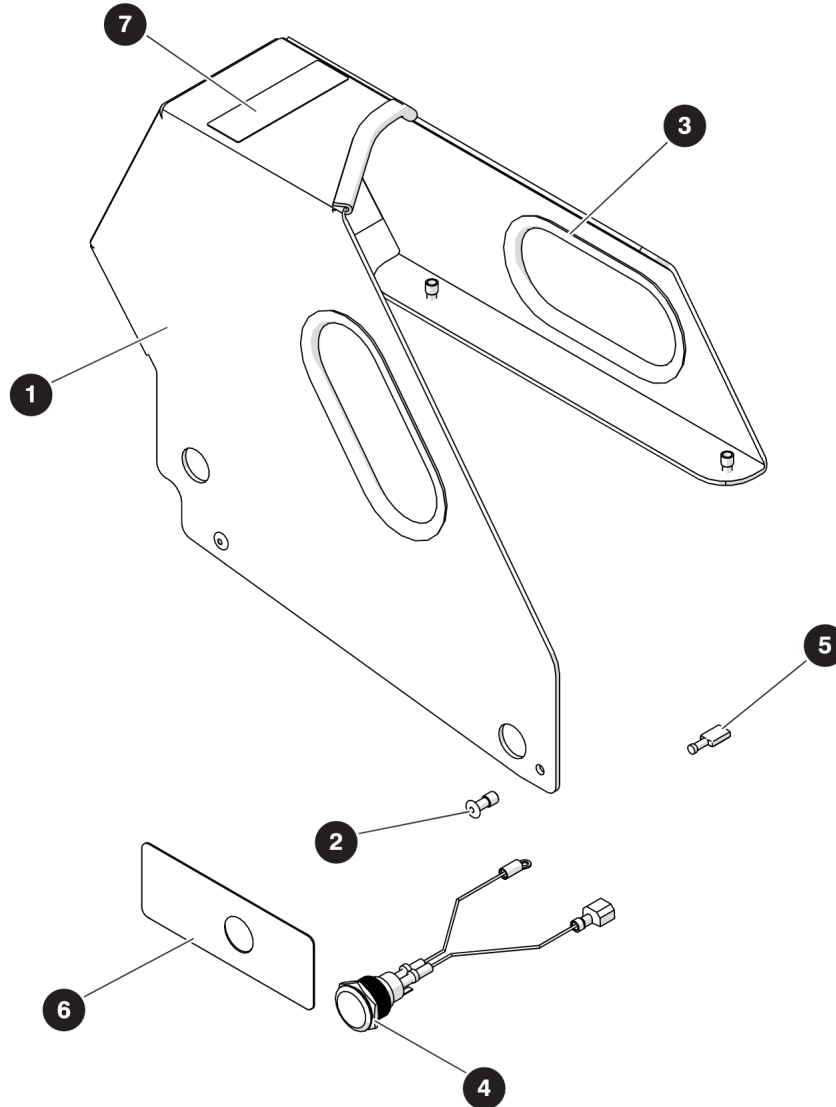
5.19 Heavy Duty Pipe Rack



M196511AB

Index No.	Skyjack Part No.	Qty.	Description
–	196511	1	HEAVY DUTY PIPE RACK ASSEMBLY
–	194930	1	RT HD PIPE RACK KIT
1	194920	2	• WELDMENT, RT HD pipe rack
2	103472	16	• WASHER, Flat (3/8")
3	103874	4	• BOLT, Hex head (3/8"–16 x 2.75", Gr. 5)
4	103978	12	• NUT, Hex Head (3/8"–16, Grade B)
5	103999	12	• WASHER, Lock (3/8")
6	194921	2	• PROTECTOR, Strip
7	194922	4	• SPACER, Rolled (3/8" X 1–1/2")
8	103872	8	• BOLT, Hex head (3/8"–16 x 2.25", Gr. 5)
9	195376	4	• STRAP, Nylon tie-down flat hook
10	101297	4	• BOLT, Hex head (3/8"–16 x 1.25", Gr. 5)
11	104606	4	• NUT, Hex head nylon lock (3/8" – 16, Gr. 5)
12	172173	2	LABEL, HD Pipe rack weight RT
13	172178	2	LABEL, HD Pipe rack capacity RT ANSI
14	196279	1	INSTRUCTIONS, RT HD Pipe rack ANSI

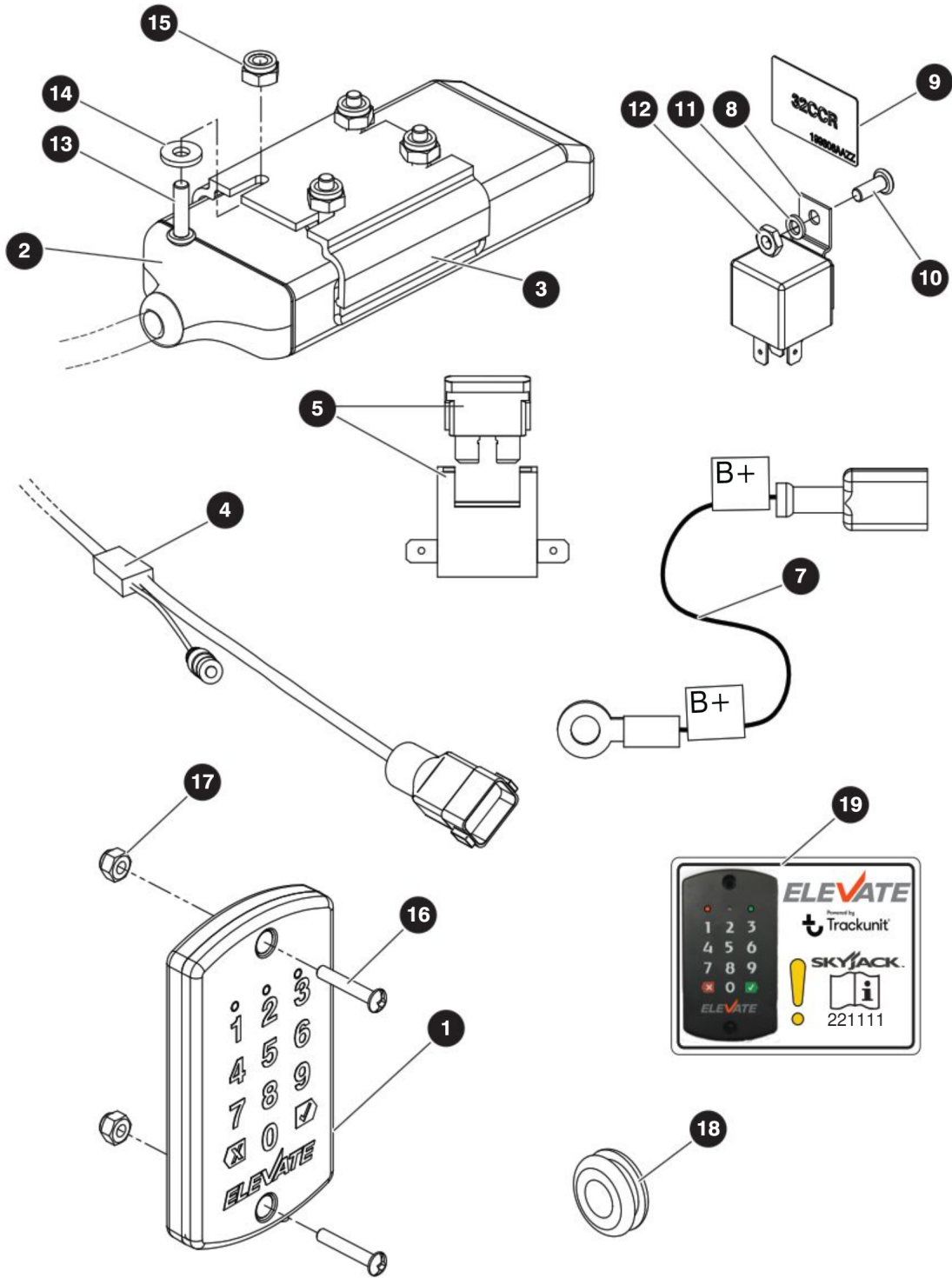
5.20 Secondary Guarding Lift Enable Kit



M220497AA

Index No.	Skyjack Part No.	Qty.	Description
A	220787	1	SECONDARY GUARDING SERVICE KIT
B	220786	1	SECONDARY GUARDING WITH SHROUD SERVICE KIT
1	161240	1	• GUARD, Control box, B
2	157759	6	• RIVET, Pop (0.188" x 0.565")
3	194731	30"	• GUARD, Edge, B
4	220498	1	• BUTTON, Push
5	105359	1	• TERMINAL, F blade (0.25" 14-16G)
6	172788	1	• LABEL, SGLE Enable switch
7	172926	1	• LABEL, SGLE
8	220559	1	• INSTRUCTION, SGLE Installation (not shown), A
	220556	1	• INSTRUCTION, SGLE Installation - Incl Shroud (not shown), B

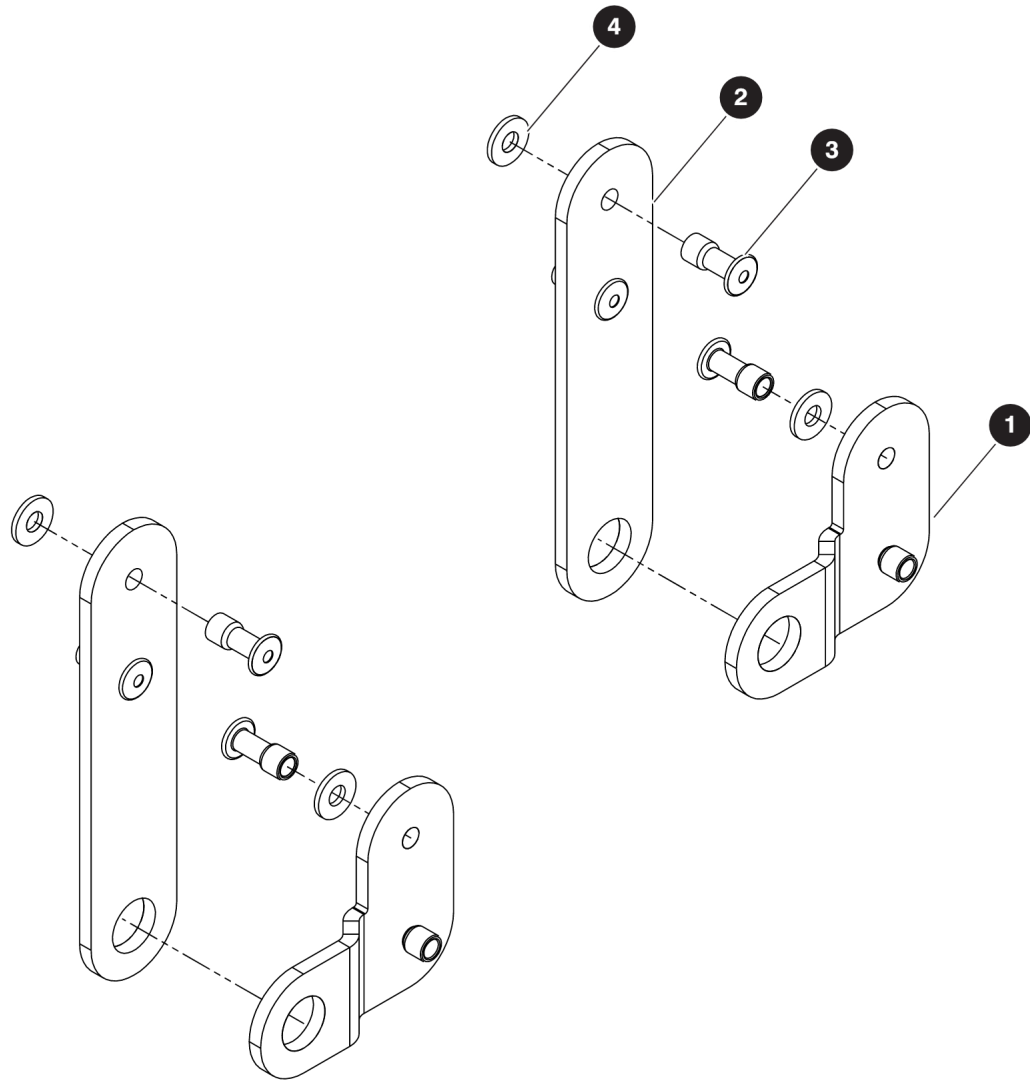
5.21 Elevate Telematics



5.21 Elevate Telematics

Index No.	Skyjack Part No.	Qty.	Description
A	221304	1	FIELD KIT, ELEVATE TELEMATICS - SJ68XXRT WITHOUT KEYPAD
B	221300	1	FIELD KIT, ELEVATE TELEMATICS - SJ68XXRT WITH KEYPAD
1	213099	1	• KEYPAD, Track Unit, B
-	213098	1	• CONTROL UNIT GROUP, Track Unit
2	199295	1	• • COVER, Track Unit
3	199296	1	• • BRACKET, Track Unit
	199297	1	• • BATTERY, Track Unit
4	199298	1	• • CONTROL CABLE, Track Unit
5	199299	1	• • FUSE KIT, 1 Amp Fuse and Holder
-	221991	1	• PARTS INSTALLATION KIT, Elevate - 68XXRT
-	220175	1	• • HARNESS ASM, Track Unit 68XXRT (Not Shown)
6	220176	1	• • • HARNESS, Track Unit 68XXRT
7	220577	1	• • • WIRE ASSEMBLY, B+
-	220177	1	• • • RELAY ASSEMBLY, Engine Starter Cut Off
8	127035	1	• • • • RELAY, 12V - 40 AMP
	220178	1	• • • • WIRE ASM, 32AU
	220179	1	• • • • WIRE ASM, 10
	221283	1	• • • • WIRE ASM, 32AD
	226395	1	• • • • WIRE ASM, 07 Extension
9	199306	1	• • • • LABEL, 32CCR
10	103962	1	• • • BOLT, Machined Head/Zinc - #10-32 x 1/2"
11	104185	1	• • • WASHER, Lock/Zinc - #10
12	104003	1	• • • NUT, Machined - #10-32 Gr. B
13	114678	4	• • SCREW, Round Head Machined - #6-32 x 1/2"
14	191833	4	• • WASHER, Flat - #6
15	196306	4	• • NUT, Nylon Lock - #6-32 Gr. 5
16	112248	2	• • SCREW, Round Head Machine - #8-32 x 1", B
17	138765	2	• • NUT, Nylon Lock - #8-32 Gr. 5 Zinc, B
18	216141	1	• • GROMMET, 1/2 I.D. x 3/16", B
19	173002	1	• • LABEL, Telematics Track Unit
20	102892	10	• TIE WRAP CABLE, 5-3/8" (Not Shown)
21	199279	1	• INSTRUCTION, Elevate telematics installation - SJ68XX RT (Not Shown)
22	221111	1	• INSTRUCTION, Elevate telematics keypad operation (Not Shown) B

5.22 Cabinet Locking Service Kit



M63821AA

Index No.	Skyjack Part No.	Qty.	Description
-	223151	1	CABINET LOCKING SERVICE KIT
1	223061	2	• BRACKET, Cabinet locking - Cabinet
2	223062	2	• BRACKET, Cabinet locking - Door
3	157759	8	• RIVET, Pop (0.1875" x 0.565")
4	103991	8	• WASHER, Flat (#8)
5	223161	1	• INSTRUCTIONS, Cabinet locking brackets (Not Shown)

Section 6 – Labels

6.1 *Label Kits*

6.2 *Labels - Left and Rear*

6.3 *Labels - Right and Front*

6.4 *Labels - Top*

6.5 *Labels - Miscellaneous*

6.6 *Labels - Cabinets*

Label Kits

Complete Label Kits are available for models SJ6826 RT and SJ6832 RT.

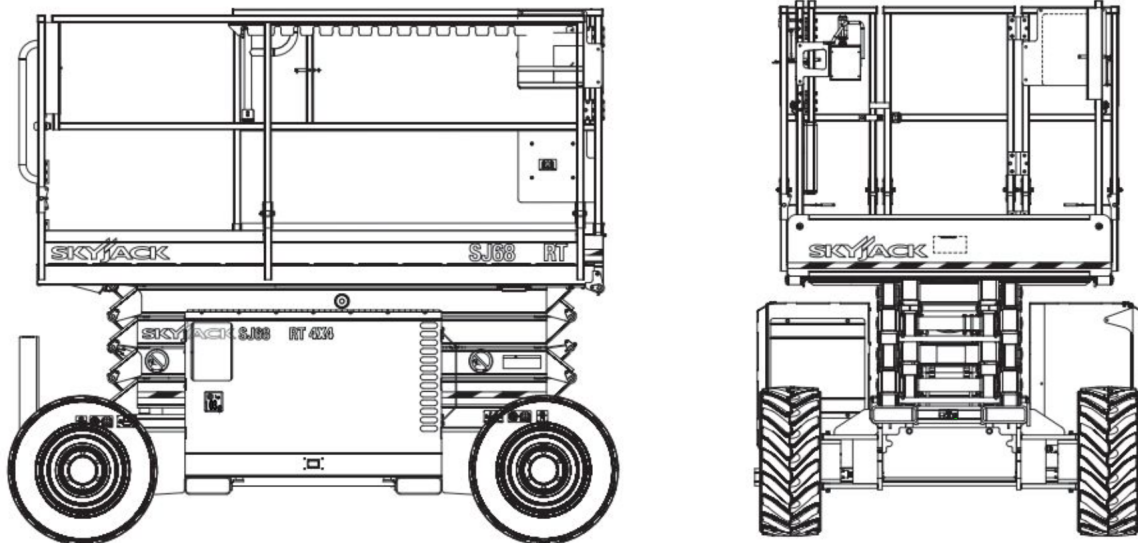
These kits contain labels that are common to both models, including the outrigger option. See the following pages for kit components.

The kits do not include:

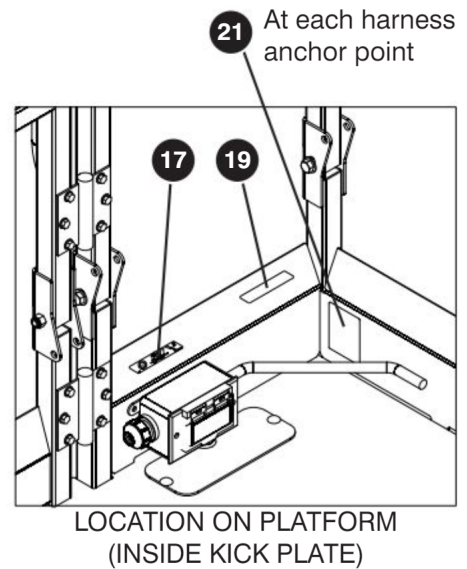
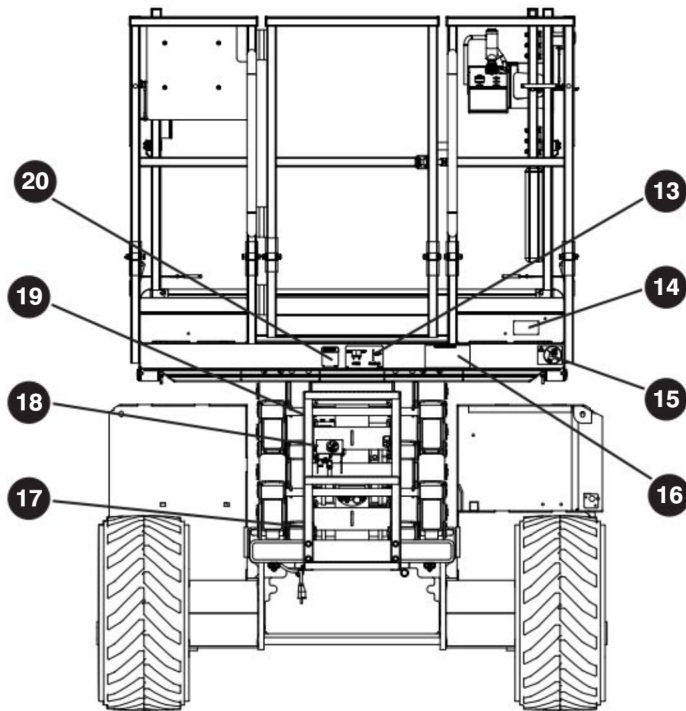
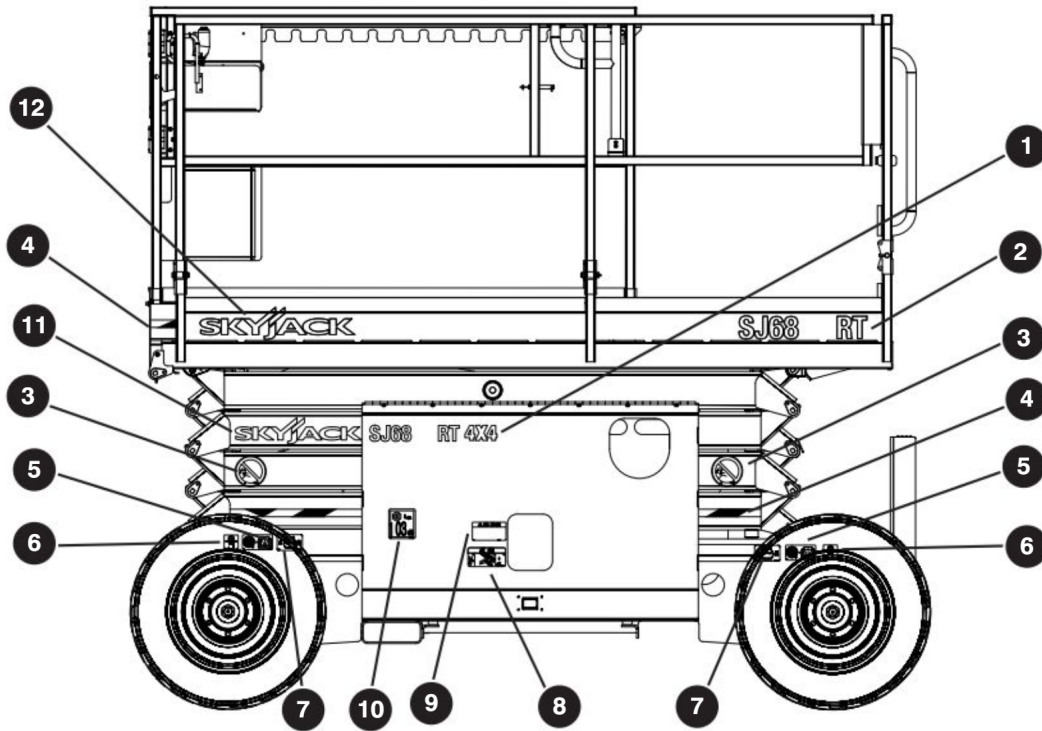
- Serial numbers
- Caution tape
- Platform capacities
- Tire pressures
- Model designations
- Special options

Provide the model number, country and language when ordering complete label kits.

Model	Standard	Part Number
SJ6826 RT and SJ6832 RT	ANSI/CSA	166335
	KC	166336



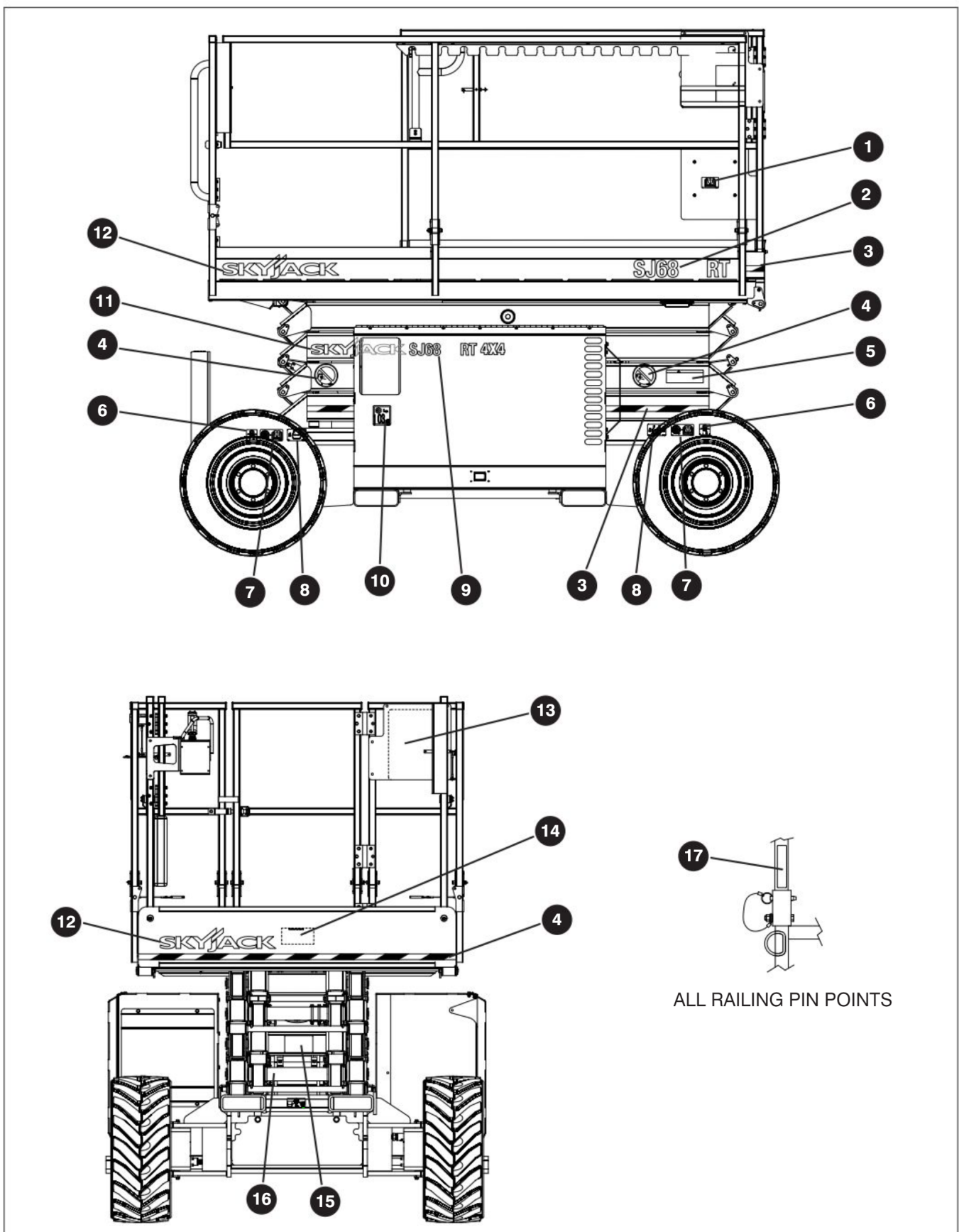
6.2 Labels - Left and Rear



6.2 Labels - Left and Rear

Index No.	Skyjack Part No.	Qty.	Description
1	164700	1	LABEL, Skyjack SJ6826 RT 4X4 (not included in kit)
	163861	1	LABEL, Skyjack SJ6832 RT 4X4 (not included in kit)
2	159520	1	LABEL, SJ6826 RT (not included in kit)
	159523	1	LABEL, SJ6832 RT (not included in kit)
3	139855	2	LABEL, Stay away
4	119803	1	TAPE, Caution 1" wide
5	124631	2	LABEL, Wheel/offset pressure
6	138123	2	LABEL, Wheel load 1635 kg/3600 lb
7	142136	2	LABEL, Tire pressure 40 psi (air tires) (not included in kit)
	142384	2	LABEL, Tires foam fill only (foam tires) (not included in kit)
8	160059	1	LABEL, Emergency lowering
9	159595	1	LABEL, Towing/winch procedure
10	128226	1	LABEL, 103 Decibel - KC
11	158536	1	LABEL, Skyjack (17")
12	158554	1	LABEL, Skyjack (20")
13	124465	1	LABEL, Side force/outdoor
14	114252	1	LABEL, California prop 65 warning (ANSI)
15	124362	1	LABEL, Warning! Do not wear jewelry
16	138083	1	LABEL, Platform capacity 1250 (950/300) 4P - SJ6826 RT ANSI/CSA
	142168	1	LABEL, Platform capacity 1000 (700/300) 4P - SJ6832 RT ANSI/CSA
	138082	1	LABEL, Platform capacity 1000 (700/300) 2P - SJ6832 RT KC
	-		(Platform capacity labels are not included in the kit)
17	138211	2	LABEL, Connect AC supply
18	156613	1	LABEL, Do not alter
19	138212	2	LABEL, Connect air supply (air supply option) (not included in kit)
20	158912	1	LABEL, Daily maintenance check
21	130018	6	LABEL, Harness anchorage

6.3 Labels - Right and Front



M160176AB2_4

194370AD

166

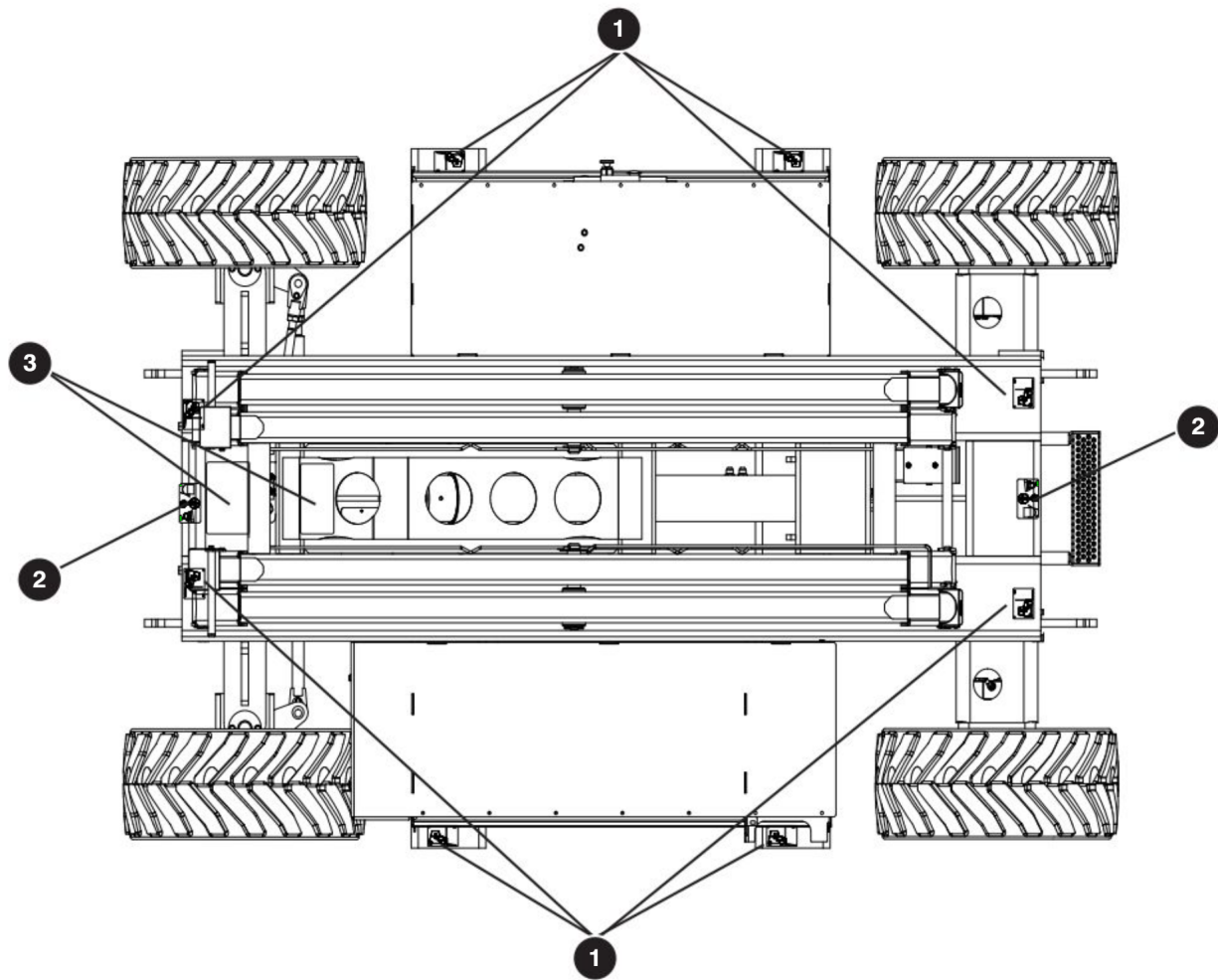
SJ6826 RT, SJ6832 RT

SKYJACK

6.3 Labels - Right and Front

Index No.	Skyjack Part No.	Qty.	Description
1	123628	1	LABEL, Manual box
2	159520	1	LABEL, SJ6826 RT
	159523	1	LABEL, SJ6832 RT
3	119803	1	TAPE, Caution 1" wide
4	139855	2	LABEL, Stay away
5	156441	1	LABEL, Annual inspection
6	138123	2	LABEL, Wheel load 1635 kg/3600 lb
7	124631	2	LABEL, Wheel/offset pressure
8	142136	2	LABEL, Tire pressure 40 psi (air tires) (not included in label kit)
	142384	2	LABEL, Tires foam fill only (foam tires) (not included in label kit)
9	164700	1	LABEL, Skyjack SJ6826 RT 4X4 (not included in kit)
	163861	1	LABEL, Skyjack SJ6832 RT 4X4 (not included in kit)
10	128226	1	LABEL, 103 Decibel - KC
11	158536	1	LABEL, Skyjack (17")
12	158554	1	LABEL, Skyjack (20")
13	158913	1	LABEL, Warning hazards
14	138083	1	LABEL, Platform capacity 1250 (950/300) 4P - SJ6826 RT ANSI/CSA
	142168	1	LABEL, Platform capacity 1000 (700/300) 4P - SJ6832 RT ANSI/CSA
	138082	1	LABEL, Platform capacity 1000 (700/300) 2P - SJ6832 RT KC
15	(Ref.)	1	NAMEPLATE, Serial plate (consult factory) (not included in label kit)
16	127711	1	LABEL, Safety bar
17	126056	10	LABEL, Falling hazard

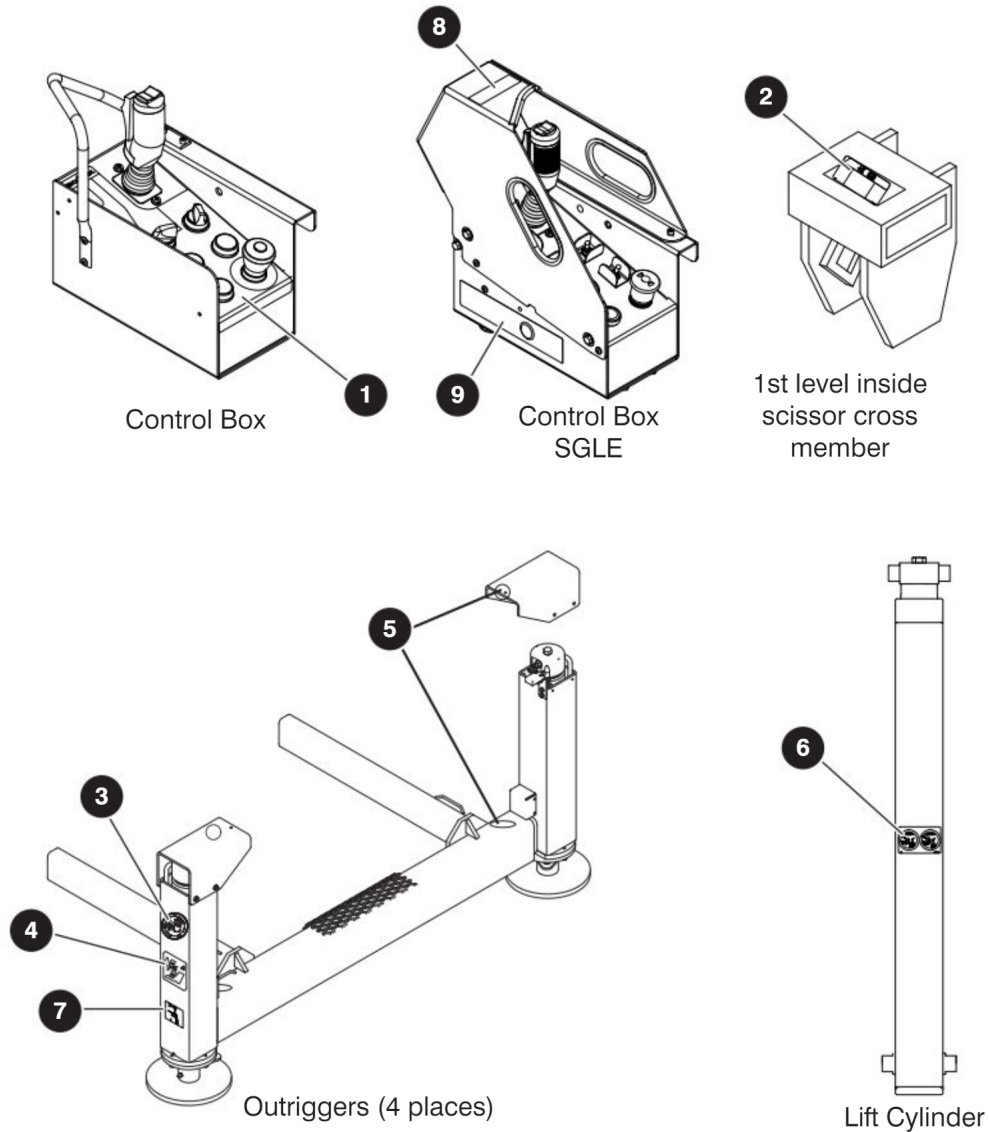
6.4 Labels - Top



M160176AB_5

Index No.	Skyjack Part No.	Qty.	Description
1	102896	8	LABEL, Forklift boot
2	124767	2	LABEL, Tie down/lift lugs
3	158908	2	LABEL, Maintenance procedure

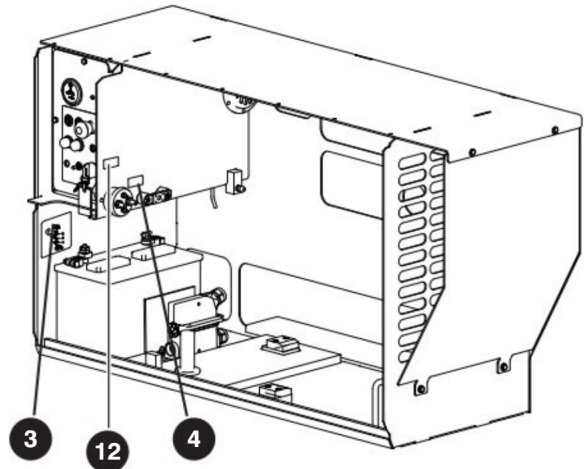
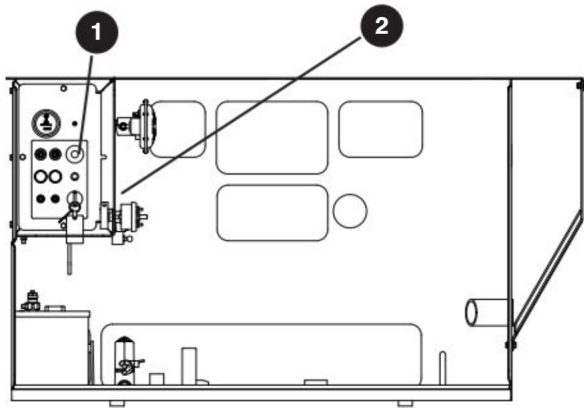
6.5 Labels - Miscellaneous



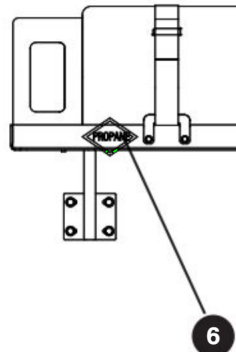
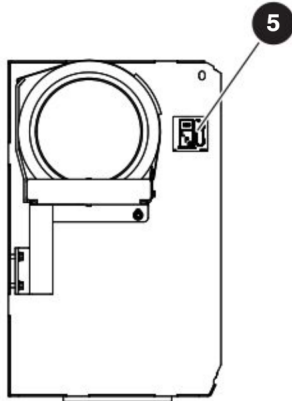
M160176AB_11

Index No.	Skyjack Part No.	Qty.	Description
1	127343	1	LABEL, Control box (with rotary switches)
	166089	1	LABEL, Control box (with toggle switches)
2	160059	1	LABEL, Emergency lowering
3	139855	4	LABEL, Keep clear
4	119866	4	LABEL, Danger hand/foot pinch
5	156613	8	LABEL, Do not alter
6	157792	1	LABEL, Equipped with orifice
7	171961	4	LABEL, Outrigger load (1635 kg/3600 lb)
8	172926	1	LABEL, SGLE
9	172788	1	LABEL, SGLE ENABLE

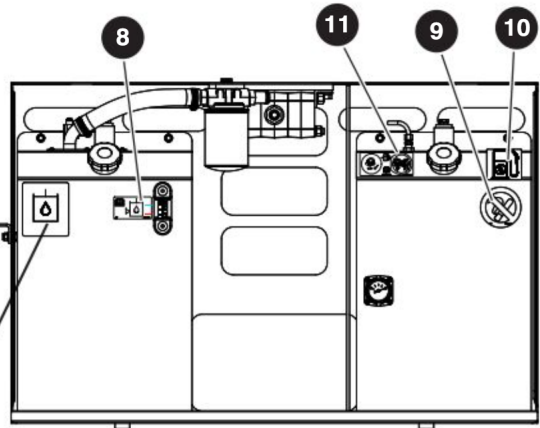
6.6 Labels - Cabinets



Electrical/Engine Cabinet



Propane Tank



Fuel/Hydraulic Oil Cabinet

M160176AB_9B_M138153AD2

Index No.	Skyjack Part No.	Qty.	Description
1	137681	1	LABEL, Panel
2	119674	1	LABEL, Battery disconnect switch
3	128827	1	LABEL, Warning fuse
4	119915	1	LABEL, Fuse (inverter option) (not included in label kit)
5	103023	1	LABEL, Use liquid propane only (dual fuel)
6	120390	1	LABEL, Propane (dual fuel)
7	102961	1	LABEL, ATF Dexron III
	161565	1	LABEL, Shell Naturelle HF-E 32
8	146016	1	LABEL, Hydraulic oil min/max
9	138146	1	LABEL, No smoking
10	162852	1	LABEL, Diesel fuel (diesel)
	132400	1	LABEL, Unleaded gasoline only (dual fuel)
11	168457	1	LABEL, Open slowly fuel cap (dual fuel)
12	172171	1	LABEL, California construction equipment

Section 7 – Tables

7.1 *Fluid Tables*

7.1 Fluid Tables

AXLE OIL						
Axle Type		*Qty. (Liters)	*Qty. (Gallons)	Oil Type	Skyjack Part No.	Recommended Equivalent Oil
Cushman	Front	2.4	0.634	Gear Oil, 80W-90 GL5	134612	-
Dana	Front / Rear					
Cushman	Rear	1	0.264	Gear Oil, ESI 80W-90	133461	Chevron Gear Lubricant Delo ESI 80W-90, Caltex Gear Lubricant ESI 80W-90, Caltex RPM Borate EP 80W-90, Texaco Star Gear Lubricant 80W-90

*All fuel capacity quantities are in standard liter or US gallons (liquid).

**Use distilled water and 50/50 mix of anti-freeze/water.

CENTER DRIVE OIL					
Center Drive Type	*Qty. (Liters)	*Qty. (Gallons)	Oil Type	Skyjack Part No.	Recommended Equivalent Oil
Center Drive	1	0.26	Gear Oil, 80W-90 GL5	134612	-

*All fuel capacity quantities are in standard liter or US gallons (liquid).

**Use distilled water and 50/50 mix of anti-freeze/water.

HYDRAULIC OIL				
Model	*Qty. (Liters)	*Qty. (Gallons)	Oil Type	Skyjack Part No.
SJRT-68XX	86.88	22.95	ATF Dexron III	119309
SJRT-7127	80.48	21.26		
SJRT-7135				
SJRT-8243				
SJRT-8850				
SJRT-8831	75.71	20	Shell Naturelle HF-E 32	157138
SJRT-8841				
SJRT-8831E				
SJRT-8841E				
SJRT-9250	67.38	17.8		

* All fuel capacity quantities are in standard liter or US gallons.

** Use distilled water and 50/50 mix of anti-freeze and water.

60591_7AD

7.1 Fluid Tables

ENGINE OIL					
Engine Type	*Qty. (Liters)	*Qty. (Gallons)	Oil Type, Viscosity	Skyjack Part No.	Recommended Equivalent Oil (Viscosity - API Service Designation)
Kubota D902	3.9	1.03	Engine Oil, SAE 10W-30	105287	10W30 - API Service Designation CG-4, CF-4, CF, CD, SH.
Kubota D1105	5.1	1.35			
Kubota DF972	3.4	0.9			
Nissan A15	3.5	0.98		142454	10W30 - API Service Designation SF/CC.
GM 1.6					

*All fuel capacity quantities are in standard liter or US gallons (liquid).

**Use distilled water and 50/50 mix of anti-freeze/water.

ENGINE COOLANT				
Component Type	*Qty. (Liters)	*Qty. (Gallons)	Coolant Type	Skyjack Part No.
Kubota D902	3.1	0.82	Anti-freeze 50/50 Premix	169072
Kubota D1105				
Kubota DF972				
Nissan A15	11.4	3.01	Extended life anti-freeze / Water	142208
GM 1.6				

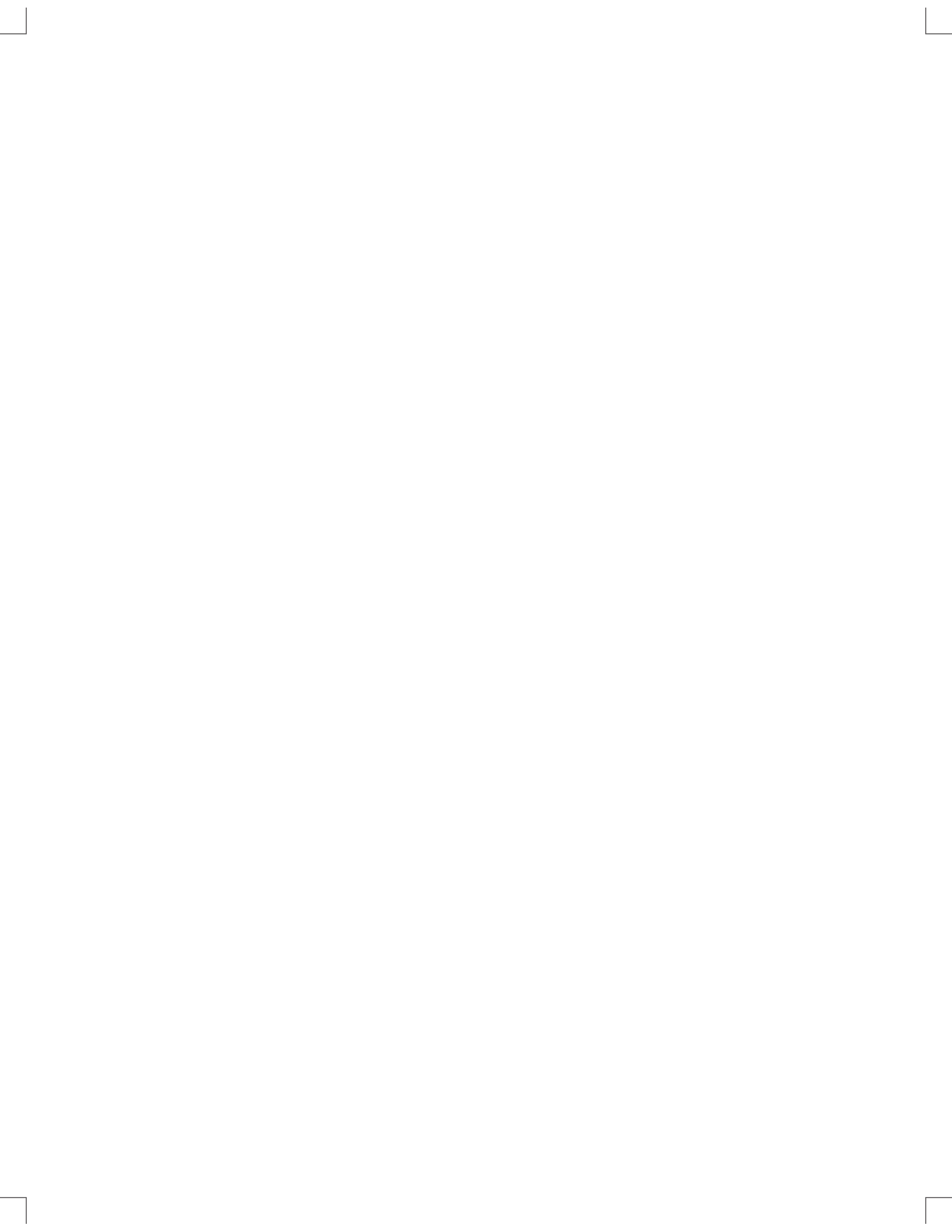
*All fuel capacity quantities are in standard liter or US gallons (liquid).

**Use distilled water and 50/50 mix of anti-freeze/water.

ENGINE FUEL							
Model	Tank		Diesel		Gasoline / Liquid Propane		
	*Qty. (Liters)	*Qty. (Gallons)	Kubota D902	Kubota D1105	Kubota DF972	GM 1.6	Nissan A15
SJRT-68xx	86.88	22.95	✓	N/A	✓	N/A	N/A
SJRT-7127	80.48	21.26	N/A	✓			
SJRT-7135							
SJRT-8243							
SJRT-8850							
SJRT-8831					49.21	13	N/A
SJRT-8841							
SJRT-9250	64.35	17					

*All fuel capacity quantities are in standard liter or US gallons (liquid).

**Use distilled water and 50/50 mix of anti-freeze/water.



SKYJACK[™]
www.skyjack.com